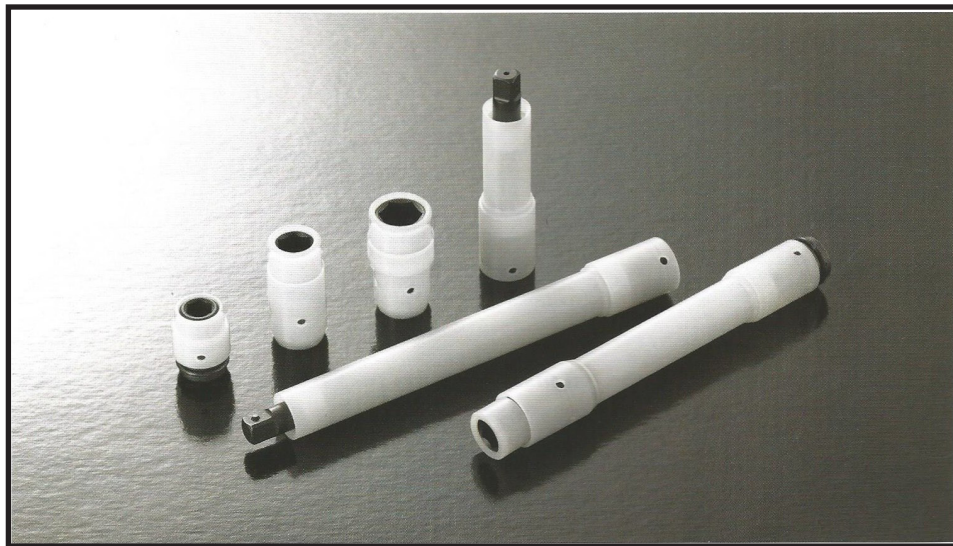




Solution Socket Series

CVF SOCKET

Safety Anti-Mar Protection



Safety

Protective cover gives the highest protection to the operator, alleviating injury to fingers.

Anti-Marring

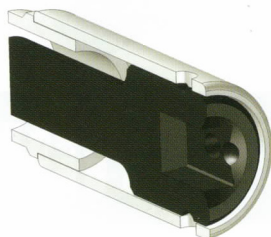
Resin cover, spinning freely, protects against marring.

Minimize Torque Loss/Enhance Ergonomics

The advantage is in the anti-vibrational connection of extension bar and socket.

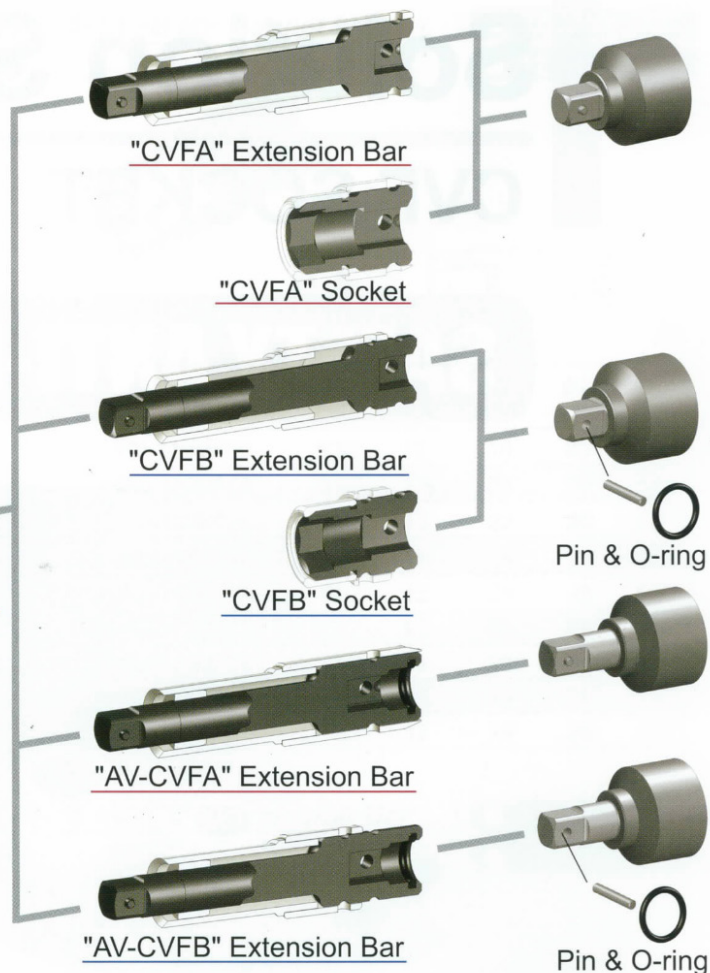
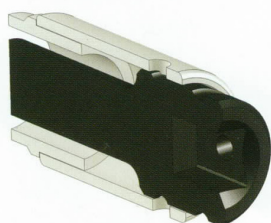
CVFA-Type

Resin cover extends to the edge.



CVFB-Type

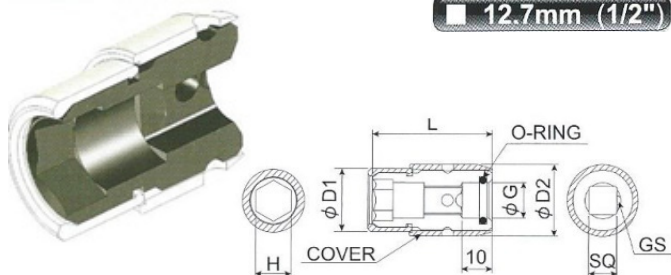
Resin cover provides space for pin and o-ring



* The socket must be AV-CVFA type to connect to the extension bar.

CVFA Type

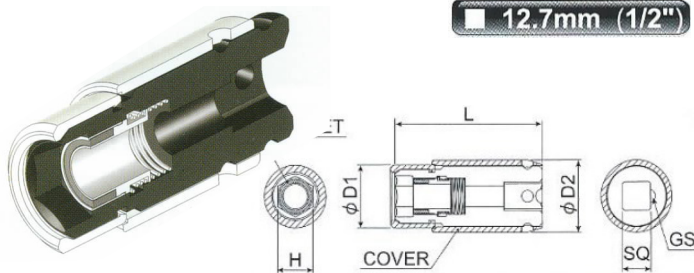
CVFA Short Type



[Spec]

Part No.	SQ (mm)	H (mm)	ØD1 (mm)	ØD2 (mm)	L (mm)
CVFA-31040	9.52	10	18	24	40
CVFA-31240	9.52	12	21	24	40
CVFA-31340	9.52	13	22	24	40
CVFA-31440	9.52	14	25	24	40
CVFA-41240	12.7	12	21	29	40
CVFA-41340	12.7	13	22	29	40
CVFA-41440	12.7	14	25	29	40
CVFA-41540	12.7	15	26	29	40
CVFA-41742	12.7	17	28	29	42

CVFA MF Magnet Type



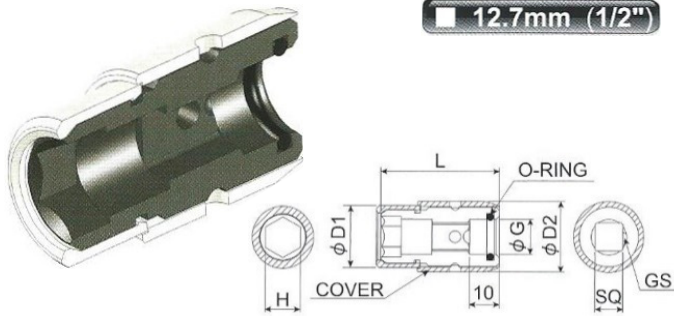
[Spec]

Part No.	SQ (mm)	H (mm)	ØD1 (mm)	ØD2 (mm)	L (mm)
CVFA-310MF50	9.52	10	18	24	50
CVFA-312MF50	9.52	12	21	24	50
CVFA-313MF50	9.52	13	22	24	50
CVFA-314MF50	9.52	14	25	24	50
CVFA-412MF75	12.7	12	21	29	75
CVFA-413MF75	12.7	13	22	29	75
CVFA-414MF75	12.7	14	25	29	75
CVFA-415MF75	12.7	15	26	29	75
CVFA-417MF75	12.7	17	28	29	75

AV-CVFA Short Type

■ 9.52mm (3/8")

■ 12.7mm (1/2")



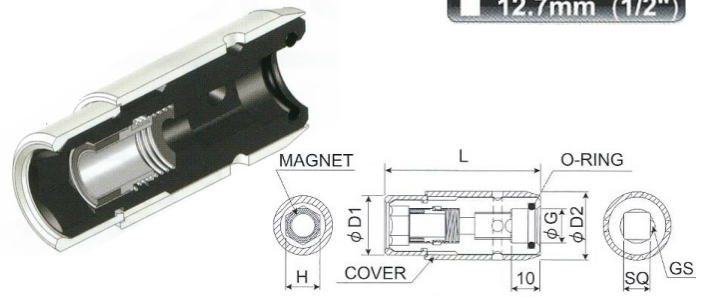
[Spec]

Part No.	SQ (mm)	H (mm)	ØD1 (mm)	ØD2 (mm)	ØG (mm)	L (mm)
AV-CVFA-31040	9.52	10	18	24	12	40
AV-CVFA-31240	9.52	12	21	24	12	40
AV-CVFA-31340	9.52	13	22	24	12	40
AV-CVFA-31440	9.52	14	25	24	12	40
AV-CVFA-41250	12.7	12	21	29	16	50
AV-CVFA-41350	12.7	13	22	29	16	50
AV-CVFA-41450	12.7	14	25	29	16	50
AV-CVFA-41550	12.7	15	26	29	16	50
AV-CVFA-41750	12.7	17	28	29	16	50

AV-CVFA MF Magnet Type

■ 9.52mm (3/8")

■ 12.7mm (1/2")



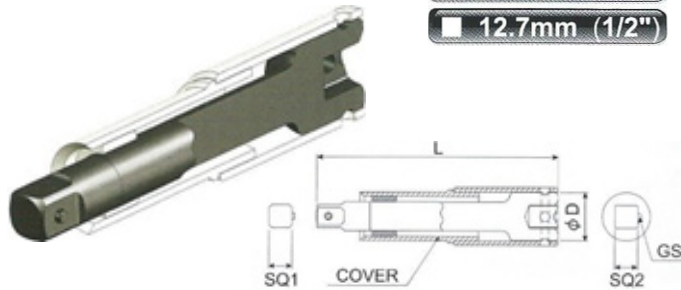
[Spec]

Part No.	SQ (mm)	H (mm)	ØD1 (mm)	ØD2 (mm)	ØG (mm)	L (mm)
AV-CVFA-310MF50	9.52	10	18	24	12	50
AV-CVFA-312MF50	9.52	12	21	24	12	50
AV-CVFA-313MF50	9.52	13	22	24	12	50
AV-CVFA-314MF50	9.52	14	25	24	12	50
AV-CVFA-412MF75	12.7	12	21	29	16	75
AV-CVFA-413MF75	12.7	13	22	29	16	75
AV-CVFA-414MF75	12.7	14	25	29	16	75
AV-CVFA-415MF75	12.7	15	26	29	16	75
AV-CVFA-417MF75	12.7	17	28	29	16	75

CVFA Extension Bar

■ 9.52mm (3/8")

■ 12.7mm (1/2")



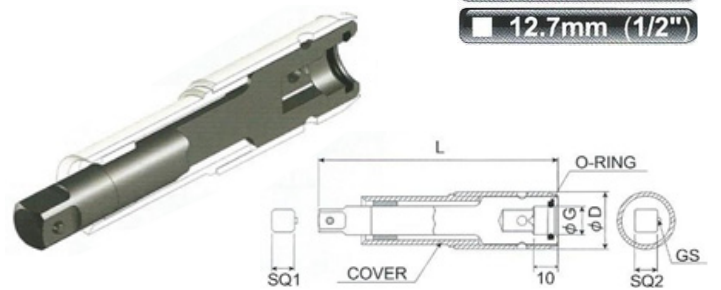
[Spec]

Part No.	SQ1 (mm)	SQ2 (mm)	ØD (mm)	L (mm)
CVFA-310E	9.52	9.52	24	100
CVFA-315E	9.52	9.52	24	150
CVFA-320E	9.52	9.52	24	200
CVFA-410E	12.7	12.7	29	100
CVFA-415E	12.7	12.7	29	150
CVFA-420E	12.7	12.7	29	200

AV-CVFA Extension Bar

■ 9.52mm (3/8")

■ 12.7mm (1/2")



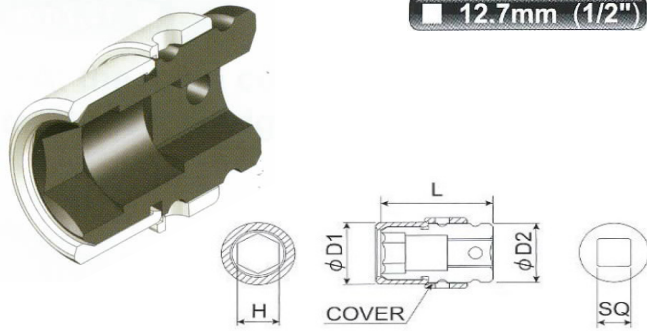
[Spec]

Part No.	SQ1 (mm)	SQ2 (mm)	ØD (mm)	ØG (mm)	L (mm)
AV-CVFA-310E	9.52	9.52	24	12	100
AV-CVFA-315E	9.52	9.52	24	12	150
AV-CVFA-320E	9.52	9.52	24	12	200
AV-CVFA-410E	12.7	12.7	29	16	100
AV-CVFA-415E	12.7	12.7	29	16	150
AV-CVFA-420E	12.7	12.7	29	16	200

CVFB Type

CVFB Short Type

■ 9.52mm (3/8")
■ 12.7mm (1/2")

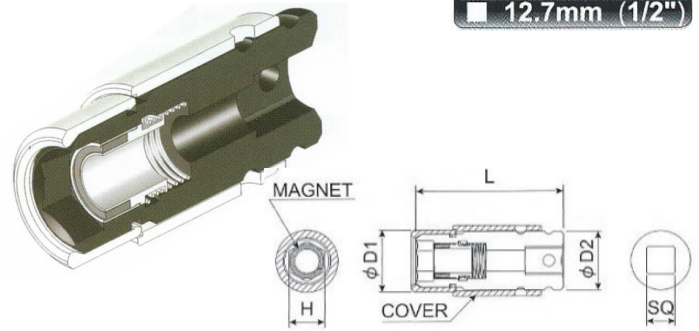


[Spec]

Part No.	SQ (mm)	H (mm)	ØD1 (mm)	ØD2 (mm)	L (mm)
CVFB-31040	9.52	10	18	20	40
CVFB-31240	9.52	12	21	20	40
CVFB-31340	9.52	13	22	20	40
CVFB-31440	9.52	14	25	20	40
CVFB-41240	12.7	12	21	25	40
CVFB-41340	12.7	13	22	25	40
CVFB-41440	12.7	14	25	25	40
CVFB-41540	12.7	15	26	25	40
CVFB-41742	12.7	17	28	25	42

CVFB MF Magnet Type

■ 9.52mm (3/8")
■ 12.7mm (1/2")

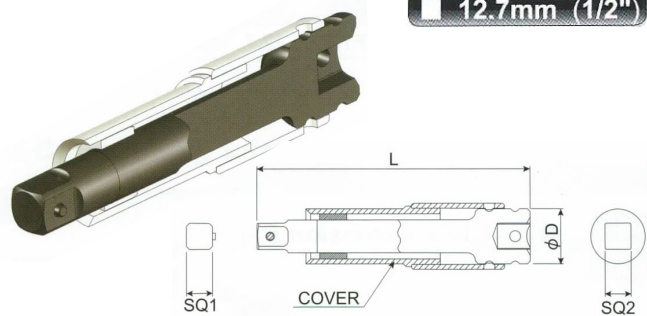


[Spec]

Part No.	SQ (mm)	H (mm)	ØD1 (mm)	ØD2 (mm)	L (mm)
CVFB-310MF50	9.52	10	18	20	50
CVFB-312MF50	9.52	12	21	20	50
CVFB-313MF50	9.52	13	22	20	50
CVFB-314MF50	9.52	14	25	20	50
CVFB-412MF75	12.7	12	21	25	75
CVFB-413MF75	12.7	13	22	25	75
CVFB-414MF75	12.7	14	25	25	75
CVFB-415MF75	12.7	15	26	25	75
CVFB-417MF75	12.7	17	28	25	75

CVFB Extension Bar

■ 9.52mm (3/8")
■ 12.7mm (1/2")

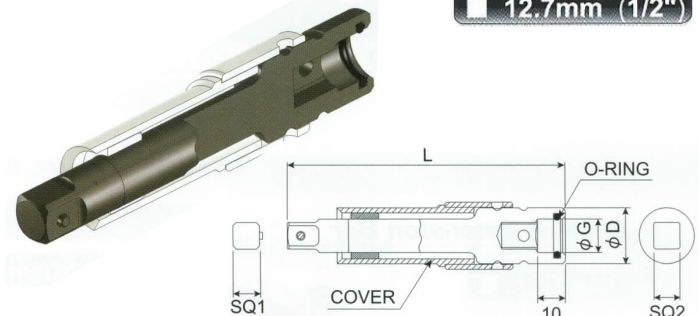


[Spec]

Part No.	SQ1 (mm)	SQ2 (mm)	ØD (mm)	L (mm)
CVFB-310E	9.52	9.52	20	100
CVFB-315E	9.52	9.52	20	150
CVFB-320E	9.52	9.52	20	200
CVFB-410E	12.7	12.7	25	100
CVFB-415E	12.7	12.7	25	150
CVFB-420E	12.7	12.7	25	200

AV-CVFB Extension Bar

■ 9.52mm (3/8")
■ 12.7mm (1/2")



[Spec]

Part No.	SQ1 (mm)	SQ2 (mm)	ØD (mm)	ØG (mm)	L (mm)
AV-CVFB-310E	9.52	9.52	20	12	100
AV-CVFB-315E	9.52	9.52	20	12	150
AV-CVFB-320E	9.52	9.52	20	12	200
AV-CVFB-410E	12.7	12.7	25	16	100
AV-CVFB-415E	12.7	12.7	25	16	150
AV-CVFB-420E	12.7	12.7	25	16	200

