

**AcraDyne**<sup>®</sup>  
A Division of AIMCO



# **High-Performance Cordless AB Series**



**INNOVATIVE TOOLS  
IN A POWERFUL PACKAGE**

# AcraDyne Cordless AB Series

## Work Smarter, Not Harder

AcraDyne's high-performance cordless tools deliver precise torque and/or angle to the fastener. Innovative technology guarantees repeatable torque results every time, ensuring you meet your most important goal – creating quality products. The tools are available in two model types:



1

### AB-MTA

Transducer  
Shut-Off  
Tool

2

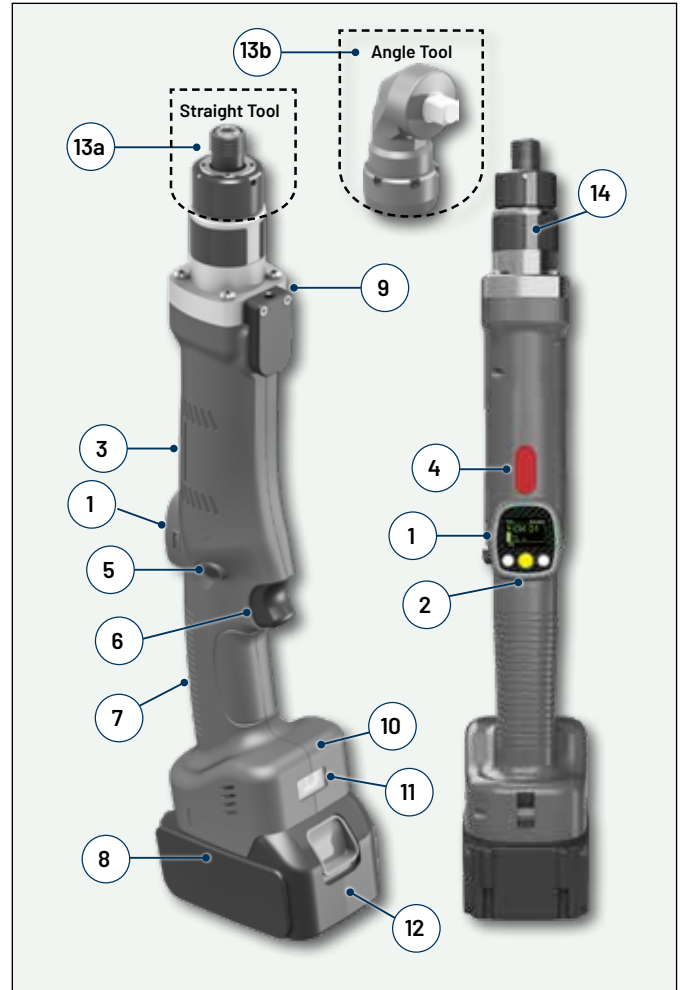
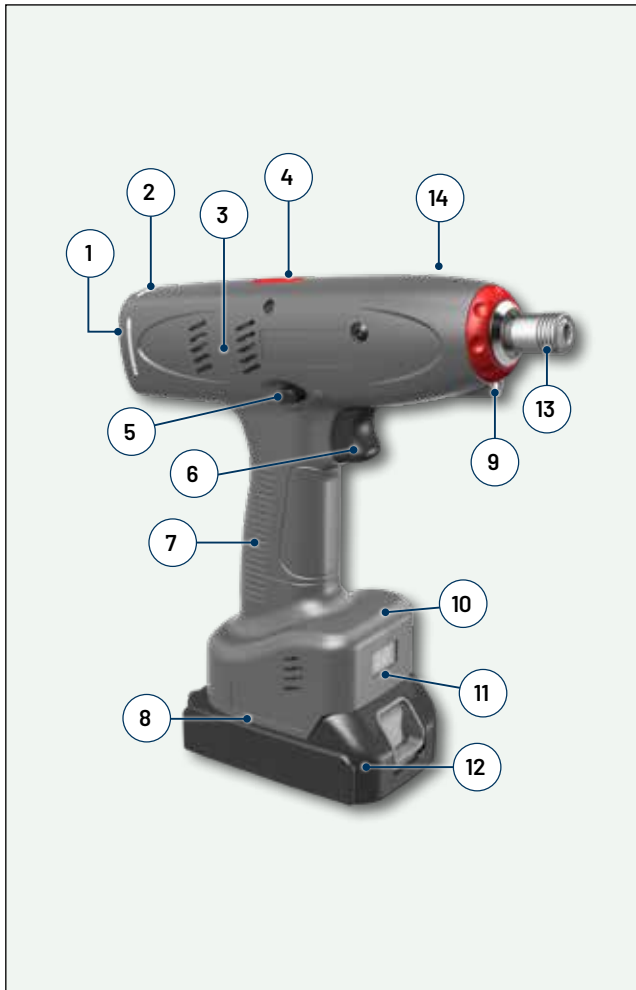
### AB-CTA

Clutch  
Shut-Off  
Tool

#### FEATURES AND BENEFITS OF ALL AB TOOLS

- Self-Controlling Tools
  - Can run stand alone or in conjunction with an iBC ACE Platform controller as a line interface (see page 8)
- Tool programming done with no-cost AcraDyne Tool Manager software using USB cable interface to PC
- Selectable vibration alarm provides tactile feedback
- 99 programs with 6 steps per program available
- Job functionality for sequencing and/or bolt counting
- Programmable
  - Torque
  - Angle
  - RPM
  - Time
  - Fastening direction
- Multicolor LED status screen
- 150,000 results stored on-board

# Features



- |  |   |  |
|--|---|--|
| <b>1</b> OLED Display                  | <b>7</b> Ergonomic handle                       | <b>13</b> 1/4" hex socket adapter (Pistol Tool)    |
| <b>2</b> Multi-color LED control light | <b>8</b> USB interface (in battery compartment) | <b>13a</b> 1/4" hex socket adapter (Straight Tool) |
| <b>3</b> Brushless high-powered motor  | <b>9</b> Powerful LED                           | <b>13b</b> 3/8" square adapter (Angle Tool)        |
| <b>4</b> Color index                   | <b>10</b> Optional WiFi module                  | <b>14</b> Clutch Access (MTA models)               |
| <b>5</b> CW / CCW switch               | <b>11</b> Optional scanner                      |  |
| <b>6</b> Large trigger                 | <b>12</b> Premium Li-Ion battery                |  |

## MULTI-COLORED LED CONTROL LIGHT

The AcraDyne cordless series has a LED control function light that is near the display and spans the circumference of the tool. The light indicates tool status.

The time-length of the light can be programmed as glowing, flashing, or pulsating for each LED signal.



## Color Indicator:

- Screwdriver is released
- Tool is on reverse mode; counter-clockwise rotation
- Tightening was successful (OK)
- Error at tightening (NOK)
- Tool needs acknowledgement of the result or action of the worker



# LED Display Module

Provides Quick Operator Feedback

**Tool serial number or program number of the active program**: P03

**Counting function: Counts the processed screws per fastening instance e.g. 01/02 means 1 screw of 2 successfully fastened**: 01 / 02

**Function display: green: connected, yellow: searching for connection, red: no connection**: OK 01

**Display text window: Shows the results of the fastening process, warnings, commands, symbols, and texts to make controlling the tool easier**: Nm < 3.00 95

**Battery display: Shows 5 different charging statuses of the battery**: OK

**Status description**: OK

**Torque in Nm**: Nm < 3.00 95

**Angle in degrees**: 95

Display elements can be modified in AcraDyne Tool Manager Software to show precise values for screw joints, rotational angle, specify the counting process, and set unit values to Nm, lbf-in, lbf-ft.

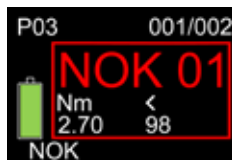
## DISPLAY OPERATION



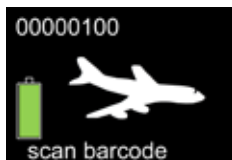
Confirm the entry / selection

Go to the next menu point

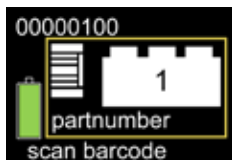
Cancel/ decline the entry/ selection



Easy to read results: User can program which type of screen to display: OK/NOK or Happy/Sad Face icons.



An application can require that the product ID be scanned before the tool is released. Symbol can also be a car.



An application can require scanning of components/assemblies before tool is released.



This screen indicates that the tool is locked and is disabled by line controls via the iBC controller over Wifi.

# CTA Series

## Controls Torque and Angle

The AB-CTA Series provides the most sophisticated option in the AcraDyne cordless tool line. The Transducer Shut-Off means precise torque measurement with high accuracy and traceable results. Transducer shut-off allows speed adjustment and provides the ability to reject conditions such as cross threads and double hits on a fastener.



### AB-CTA Torque Ranges:

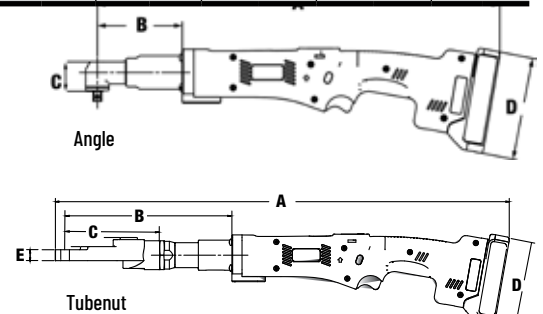
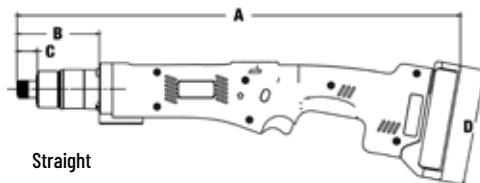
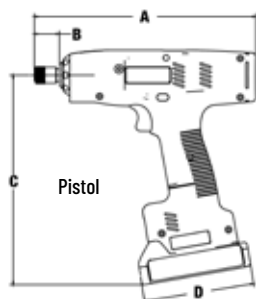
- Pistol Tool: 1.5-17 Nm
- Straight Tool: 1.5-17 Nm
- Angle Tool: 1.5-120 Nm
- Tubenut Tool: 3.0-24 Nm



### AcraDyne Cordless AB-CTA Series Tools

Model	Torque Range		Max Speed RPM	Drive TYPE	Weight W/O Battery		Tool Dimensions									
	NM	FT-LB			KG	LB	A		B		C		D		E	
	IN	MM	IN	MM	IN	MM	IN	MM	IN	MM	IN	MM	IN	MM	IN	MM
<b>Pistol</b>																
ABP-CTA12(O)(WQ)(BQ)(WBQ)	1.5 - 12	1.1 - 8.9	629	1/4" QC	1.15	2.5	9.1	230	1.02	26	8.56	218	4.5	115	-	-
ABP-CTA17(O)(WQ)(BQ)(WBQ)	3 - 17	2.2 - 12.5	449	1/4" QC	1.15	2.5	9.1	230	1.02	26	8.56	218	4.5	115	-	-
For 200 – 3,000 Nm Pistol Tools, see Ultra Torque models on page 54																
<b>Straight</b>																
ABS-CTA12(O)(WQ)(BQ)(WBQ)	1.5 - 12	1.1 - 8.9	570	1/4" QC	0.95	2.1	17.2	437	3.19	81	0.79	20	4.5	115	-	-
ABS-CTA17(O)(WQ)(BQ)(WBQ)	3 - 17	2.2 - 12.5	460	1/4" QC	0.95	2.1	17.2	437	3.19	81	0.79	20	4.5	115	-	-
<b>Angle</b>																
ABN-CTA10(W)(B)(WB)	1.5 - 10	1.1 - 7.4	570	3/8" Sq.	1.35	3.0	17.9	455	3.94	100	1.12	29	4.5	115	-	-
ABN-CTA17(W)(B)(WB)	2.5 - 17	1.8 - 12.5	380	3/8" Sq.	1.4	3.1	18.1	461	4.14	105	1.29	33	4.5	115	-	-
ABN-CTA24(W)(B)(WB)	5 - 24	3.7 - 17.7	300	3/8" Sq.	1.2	2.6	18.1	461	4.14	105	1.29	33	4.5	115	-	-
ABN-CTA36(W)(B)(WB)	8 - 36	5.9 - 26.6	170	3/8" Sq.	1.2	2.6	21.6	547	7	179	1.65	42	4.5	115	-	-
ABN-CTA55(W)(B)(WB)	15 - 55	11.1 - 40.6	90	3/8" Sq.	1.4	3.1	23.1	587	8.61	219	1.65	42	4.5	115	-	-
ABN-CTA90(W)(B)(WB)	25 - 90	18.4 - 66.6	60	1/2" Sq.	2.9	6.4	25.9	658	11.4	290	1.91	49	4.5	115	-	-
ABN-CTA120(W)(B)(WB)	35 - 120	25.8 - 88.5	50	1/2" Sq.	3.1	6.8	28.4	720	13.9	352	2.81	71	4.5	115	-	-
<b>Tubenut</b>																
ABT-CTA15W	3 - 15	2.2 - 11.1	400	1/4" - 7/16" hex	1.2	2.6	22.2	565	7.82	199	4.17	106	4.5	115	0.5	12.7
ABT-CTA24W	6 - 24	4.4 - 17.7	300	3/8" - 5/8" hex.	1.2	2.6	22.9	582	8.39	213	4.74	121	4.5	115	0.56	14

W = WiFi option    B = Barcode option    Q = Quick Change





# MTA Series

## Measures Torque and Reports Angle

The AB-MTA Series controls torque to the fastener with a precision Clutch Shut-Off mechanism. This technology increases productivity by allowing the tool to run at higher speeds and with minimal overshoot. The highly accurate clutch reduces torque reaction transmitted to the operator through its speed of shut-off at the moment reaction forces are generated.



### AB-MTA Torque Ranges:

- Pistol Tool: 1.0-17 Nm
- Straight Tool: 1.0-17 Nm
- Angle Tool: 2.5-115 Nm



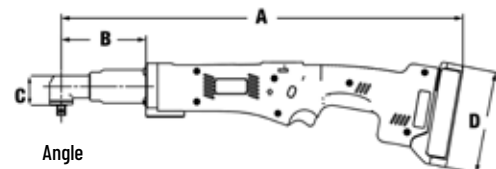
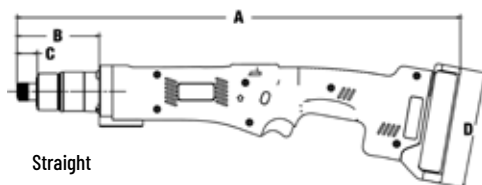
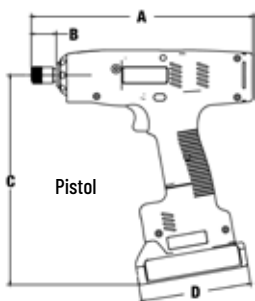
For simple adjustment, the MTA series provides easy clutch access.



### AcraDyne Cordless AB-MTA Series Tools

Model	Torque Range		Max Speed RPM	Drive Type	Weight W/O Battery		Tool Dimensions							
	NM	FT-LB			KG	LB	A		B		C		D	
							IN	MM	IN	MM	IN	MM	IN	MM
<b>Pistol</b>														
ABP-MTA06(Q)(WQ)(BQ)(WBQ)	1.0 - 6	0.8 - 4.4	1,100	1/4" QC	1.25	2.75	9.1	230	1.02	26	8.56	218	4.5	115
ABP-MTA08(Q)(WQ)(BQ)(WBQ)	1.5 - 8	1.1 - 5.9	880	1/4" QC	1.25	2.75	9.1	230	1.02	26	8.56	218	4.5	115
ABP-MTA12(Q)(WQ)(BQ)(WBQ)	2.3 - 12	1.7 - 8.9	629	1/4" QC	1.25	2.75	9.1	230	1.02	26	8.56	218	4.5	115
ABP-MTA17(Q)(WQ)(BQ)(WBQ)	3.5 - 17	2.6 - 12.5	449	1/4" QC	1.25	2.75	9.1	230	1.02	26	8.56	218	4.5	115
<b>Straight</b>														
ABS-MTA06(Q)(WQ)(BQ)(WBQ)	1.0 - 6	0.8 - 4.4	1,100	1/4" QC	1.0	2.2	17.2	437	3.19	81	0.79	20	4.5	115
ABS-MTA08(Q)(WQ)(BQ)(WBQ)	1.5 - 8	1.1 - 5.9	880	1/4" QC	1.0	2.2	17.2	437	3.19	81	0.79	20	4.5	115
ABS-MTA12(Q)(WQ)(BQ)(WBQ)	2.3 - 12	1.7 - 8.9	629	1/4" QC	1.1	2.4	17.2	437	3.19	81	0.79	20	4.5	115
ABS-MTA17(Q)(WQ)(BQ)(WBQ)	3.5 - 17	2.6 - 12.5	449	1/4" QC	1.25	2.75	17.2	437	3.2	81	0.8	20	4.5	115
<b>Angle</b>														
ABN-MTA10(W)(B)(WB)	2.5 - 10	1.9 - 7.4	629	3/8" Sq.	1.35	3.0	17.9	455	3.94	100	1.12	29	4.5	115
ABN-MTA17(W)(B)(WB)	3.5 - 17	2.6 - 12.5	420	3/8" Sq.	1.4	3.1	18.1	461	4.14	105	1.29	33	4.5	115
ABN-MTA24(W)(B)(WB)	5 - 24	3.7 - 17.7	300	3/8" Sq.	1.4	3.1	18.1	461	4.14	105	1.29	33	4.5	115
ABN-MTA55(W)(B)(WB)	13 - 55	9.6 - 40.6	94	3/8" Sq.	2.7	6.0	22.5	572	7.7	196	1.65	42	4.5	115
ABN-MTA90(W)(B)(WB)	9.6 - 90	13.3 - 66.4	70	3/8" Sq.	2.9	6.4	25.9	658	10.2	259	1.8	46	4.5	115
ABN-MTA115(W)(B)(WB)	23 - 115	17 - 84.8	56	1/2" Sq.	3.1	6.8	28.4	721	13.9	353	2.8	71	4.5	115

W = WiFi option    B = Barcode option    Q = Quick Change





## UltraTorque MTA Series

Measures Torque and Reports Angle in Higher Torque Applications

The AB-CTA **UltraTorque** Series provides a sophisticated option for higher torque applications. The tool is transducerized for precise delivery of torque and angle to the fastener and provides a wide variety of tightening strategies, including torque, angle, torque plus turn, torque minus turn, and more. It is available with a Two-Hand, No Tie Down Button to ensure operator safety from accidental contact with the reaction bar. Standard offset, deep offset, and flat reaction bars are available. Custom reaction bars are available by request.



AB-MTA UltraTorque Range:

- Pistol Tool: 250–3,000 Nm



### AcraDyne Cordless ABP-CTA Ultra Torque Series Tools

Model	Max Torque		Max Speed RPM	Length		Weight	Gearbox Diameter	
	NM	FT-LB		MM	IN		MM	IN
ABP-CTA250W	250	185	27	335	13.2	w/out battery: 3.7 kg / 8.04 lb w/battery: 4.3 kg / 9.44 lb	67	2.6
ABP-CTA450W	450	332	14	335	13.2	w/out battery: 3.7 kg / 8.04 lb w/battery: 4.3 kg / 9.44 lb	67	2.6
ABP-CTA650W	650	480	9.4	335	13.2	w/out battery: 3.7 kg / 8.04 lb w/battery: 4.3 kg / 9.44 lb	67	2.6
ABP-CTA950W	950	700	6.4	335	13.2	w/out battery: 3.7 kg / 8.04 lb w/battery: 4.3 kg / 9.44 lb	67	2.6
ABP-CTA1400W	1,400	1,000	4	338	13.3	w/out battery: 4.0 kg / 8.85 lb w/battery: 5.1 kg / 11.25 lb	77.5	3.1
ABP-CTA3000W	3,000	2,200	2.1	374	14.7	w/out battery: 5.6 kg / 12.31 lb w/battery: 6.2 kg / 13.71 lb	77.5	3.1
ABP-CTA5000W	5,000	3,688	1.3	418	16.5	w/out battery: 7.9 kg / 17.4 lb w/battery: 8.5 kg / 18.8 lb	91.2	3.6

W = WiFi





# AcraDyne iBC Gen IV Controller

## Clear and Concise Connectivity

AcraDyne's iBC Gen IV Controller maximizes production quality seamlessly by giving the customers' assembly process flexible line integration, real-time monitoring, and simple system programming.



### Easy to Use

- Same simple platform as the other GEN IV models, the user friendly interface is easy to use and simple to set up

### Cost Effective

- No third party data integrator required, the data can seamlessly transfer from the tool to the controller via WIFI
- FREE software - No hidden fees

### Flexible

- Ability to adapt to a wide range of plant protocols
  - Open Protocol
  - Device Net
  - CC Link
  - Profibus
  - PFCS
  - Jtekt
  - XML
  - Toolsnet



# Batteries & Chargers

## BATTERIES

- Li-Ion for best energy density
- Deep-discharge protection prevents battery failure
- All AB models utilize the same battery connection and chargers
- Batteries available in 2.5 Ah or 5.5 Ah



AB-B1825LI



AB-B1850LI

Battery Model #	Voltage	Type	Capacity	Weight
AB-B1825LI	18V	Li-Ion	2.5 Ah	.8 Lb/.35 kg
AB-B1850LI	18V	Li-Ion	5.0 Ah	1.3 Lb/.6 kg



AB-C18110

## BATTERY CHARGERS

- Battery defect detection
- Microprocessor-controlled charging: Charging time is dependent on the capacity of the battery
- Reverse polarity protection
- Automatic battery voltage detection
- Multi-bay charger includes battery adapters
- All AB models use the same batteries and chargers



AB-C18-4W

Model	Description	Output	Input	Charging Time	Dimensions (W/O Battery)	Weight
AB-C18110	Quick-charge unit for 110V	14.4V - 18V, 3.0A	110VAC, 50-60Hz	Max 55 min for 2.5 Ah battery	3.39" (W) x 4.21" (H) x 6.02" (D) 86 mm (W) x 107 mm (H) x 153 mm (D)	1.2 Lb/.55 kg
AB-C18220	Quick-charge unit for 220V	14.4V - 18V, 3.0A	220-240VAC, 50-60Hz	Max 55 min for 2.5 Ah battery	3.39" (W) x 4.21" (H) x 6.02" (D) 86 mm (W) x 107 mm (H) x 153 mm (D)	1.2 Lb/.55 kg
AB-C18-4W	4-bay charge unit for 100-240VAC	14.4V - 18V, 3.0A	100-240VAC, 50-60Hz	Max 55 min for 2.5 Ah battery	21.2" (W) x 7.2" (H) x 10.2" (D) (incl. feet) 539 mm (W) x 182 mm (H) x 260 mm (D) (incl. feet)	16.8 Lb/7.6 kg



AB-PCOLRING

## COLOR INDEX RINGS

Colored rings on AB Series tools make it easy to determine tool torque with a quick glance. Set comes with four colors: blue, yellow, red, and silver.

## SUSPENSION BAIL

Bails attach to tool body for perfect balance and secure suspension.



AB-PBAIL



## AcraDyne AB Series Overview

FEATURE	MTA MODEL	CTA MODEL
Clutch Shut-Off	✓	
Transducer Shut-Off		✓
Five Programmable Configurations with only one tool: <ul style="list-style-type: none"> <li>• Torque</li> <li>• Angle</li> <li>• RPM</li> <li>• Time</li> <li>• Fastening Directions</li> </ul>	✓	✓
Six step, 100 job functionality	✓	✓
Free Software	✓	✓
Interchangeable Battery, USB, Charger	✓	✓
Brushless Motor	✓	✓
Maintenance Indicators	✓	✓
100 Parameter Sets	✓	✓
Operator Feedback and Battery Status on LED display module	✓	✓
Large Storage Capacity - 150,000 data results w/curves on the tool	✓	✓
Can run with iBC ACE Controller	✓	✓
Tactile Feedback	✓	✓
Barcode Scanner	✓	✓
Tool Programming Software loadable through USB cable interface	✓	✓
Long lasting Lithium-Ion Battery	✓	✓
Wireless Communication	✓	✓
Ergonomic	✓	✓

# Applications

AcraDyne's cordless AB Series tools are ideal for customers who require flexibility in the assembly process.:

- Inside vehicles where access is restricted
- Cab applications on construction equipment / agriculture products / class A trucks
- Gas meter field service (tubenut)
- Server racks

**ATV / Offroad**



**Aerospace**



**MVI**



**Agriculture**



**Natural Gas**



**Renewable Energy**





**CORPORATE HEADQUARTERS**

10000 SE Pine St.  
Portland, Oregon 97216  
Phone: (503) 254-6600  
Toll Free: 800-852-1368

**AIMCO CORPORATION DE MEXICO SA DE CV**

**Ave. Cristobal Colon 14529**  
Chihuahua, Chihuahua. 31125  
Mexico  
Toll Free : (01-800) 801-1600  
Direct : (01-614) 380-1010  
Fax: (01-614) 380-1019