



GLOBAL HIGH-CAPABILITY TOOLING SUCCESSES



Global Assembly Solutions Since 1970





Table of Contents

AGCO	4
BEIJING HYUNDAI	6
CAT	7
CNH	9
CUMMINS	11
DAIMLER	12
DOOSAN	13
EDF RENEWABLES	14
EMBRAER	15
FORD	16
GE / ALSTOM	17
HYUNDAI POWERTECH	18
IVECO	19
JCB	21
JOHN DEERE	22
MAN	25
MERITOR	26
NISSAN	27
SCANIA	28
SCOTT AUTOMATION AND ROBOTICS	29
SIEMENS GAMESA	30
TRG WIND	31
TRW	32
VESTAS	33
VOLVO	34
WARTSILA	35
WHIRLPOOL	36

For more than 50 years, AIMCO has been working with manufacturers around the world. We are the complete global source for all critical fastening and bolting solutions. AIMCO can effectively and swiftly meet your needs whether you're in Tennessee, USA fastening a 3 mm nut at 3 Nm, or in Denmark servicing wind-turbine bolts at 17,000 Nm. AIMCO provides the tools and solutions, on a global scale, that guarantee the success of your project. It is with great pride that AIMCO can say the products that we manufacture are **DESIGNED AND ASSEMBLED IN THE USA**.

Our Associations





Global leader in the design, manufacturing, and distribution of agricultural equipment

Need: Tools for transmission and final assembly lines.

AcraDyne Solution: Tools ranging from 1000 series up to HT DC series to cover complete production line.

Changzhou, China: Transmission Line for Massey Ferguson Tractor





Changzhou, China: Axle Line for Massey Ferguson Tractor



St. Petersburg, Russia: 300 Gang Assembly



St. Petersburg, Russia: Two Spindle Chain Assembly



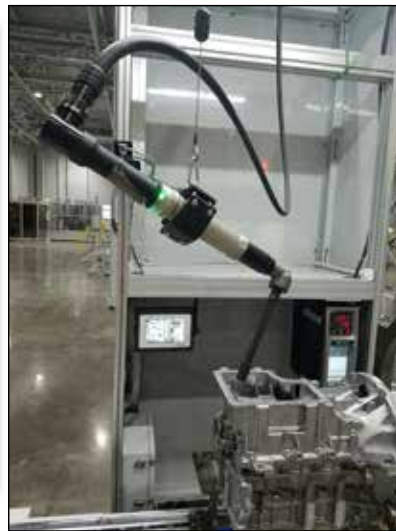


Automobile manufacturing company that produces Hyundai-branded automobiles for the Chinese market

Need: Tools for engine assembly line.

AcraDyne Solution: 1000, 2000, and 5000 series tools.

Engine Assembly Line, Beijing





World's leading manufacturer of construction and mining equipment, diesel and natural gas engines, industrial gas turbines, and diesel-electric locomotives

Northern Ireland: MH-3000 Series Material Handling Machine



Swing Motor
Target Torques:
260 nm, 608 nm,
900 nm

System on portable
base. Arm absorbs
torque reaction.



Rear Axle to
Lower Section

Target Torques:
265 nm, 800 nm



Drive Shaft



Wheels to Hub
2 step tightening
12 bolts
Torque 1 = 200 nm
Torque 2 = 600 nm



Counterweight
Target Torque = 2800 nm
System on portable base (moved by tug). Reaction arm absorbs torque reaction.



Northern Ireland: MH-3000 Series Material Handling Machine

Slew Ring to Upper
Target Torques = 183 nm, 475 nm, 610 nm



Singapore: Excavator Engine Assembly





Global leader in designing, producing, and selling agricultural and construction equipment, trucks, commercial vehicles, buses, and specialty vehicles, as well as powertrain applications

Need: Tools for complete control and monitoring of torque on tractor assembly line for consistent quality of final product. CNH previously used pulse tools.

AcraDyne Solution: Various AcraDyne tools, from low to high torque, provide complete control torque control, and integrate with the CNH network to send data.

Queretaro, Queretaro, Mexico: Tractor Assembly Line

Power Train: Gear Box Assembly



Exhaust Assembly



Tire Assembly



Assembly Feeder





Queretaro, Queretaro, Mexico: Tractor Assembly Line

Final Assembly of Rear Wheels



Tightening Car Tandem



Saddle Reaction Arm



Final Assembly
Tightening Car Swing Bearing





Designs, manufactures, and distributes engines, filtration, and power generation products

Engine Rebuild



DAIMLER

One of the biggest producers of premium cars and the world's biggest manufacturer of commercial vehicles with a global reach

Need: Replace set of Atlas Copco tools because of poor customer service and support.
AcraDyne Solution: AEN35350A with Gen IV controller provides semi-automatic tightening.

Derramadero, Coahuila, Mexico: Truck Assembly

Rear Axle Assembly



Chasis Assembly





Doosan Infracore's Construction Equipment Division is a global construction equipment supplier with a broad lineup ranging from mid-large excavators to refractive dump trucks and small machinery

Need: Tools for counterweight balance application.

AcraDyne Solution: 3000 Nm inline HT DC tools with torque reaction arm.

Seosan, Korea: Manufacture of Excavator and Weight Balancer



Need: A high-torque bolting tool for tightening bolts around a pitch bearing in a wind tower. Hydraulic tools were heavy, cumbersome, slow, and had not supplied the needed torque accuracy for the customer.

AcraDyne Solution: a high-torque DC angle tool – AEN4B773000B – with a single-ended offset reaction bar to complete the application at 2,800 Nm. Customer was able to tighten all 200 pitch-bearing bolts in 1-1/4 hours. Previously the application had taken 6 - 7 hours with the hydraulic tool

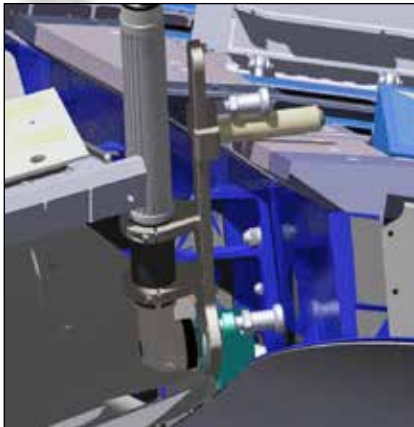
Pitch-Bearing Bolts



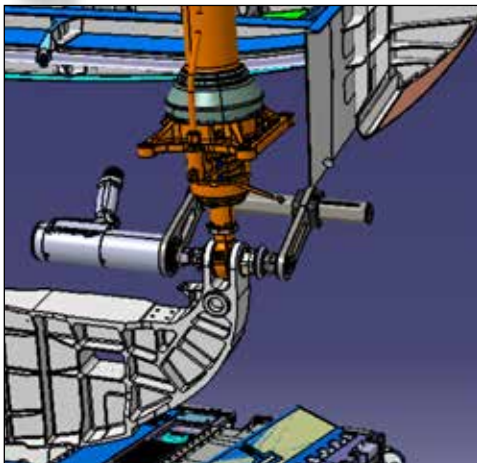
KC-390 Military Transport Aircraft



Ramp



Harp





Global automotive industry leader that manufactures and distributes automobiles across six continents

Need: Tools and controllers for complete line of 6.7 and 4.4 engine assembly. System has to monitor and control torque and angle, communicate with Toolsnet, include IP networking capability, and comply with Ford's budget and timeline. Solution requires full structure to hang tools, and requires that all tool rails be supplied and installed.

AcraDyne Solution: More than 300 tools and controllers supplied to Ford. The system incorporated all requirements. Best bits/sockets for application were supplied, as well covered sockets that protect operators.

Chihuahua, Chihuahua, Mexico: Engine Assembly and Repair (I4, J56, 4.4, and 6.7 Diesel)

6.7 L Diesel Assembly Line
Low-Pressure Fuel Lines, Stud Bolt
One Bolt to FIP and two to LH Cover

Assembly Area



4.4L Repair Bay



Final Assembly



Assembly Plant



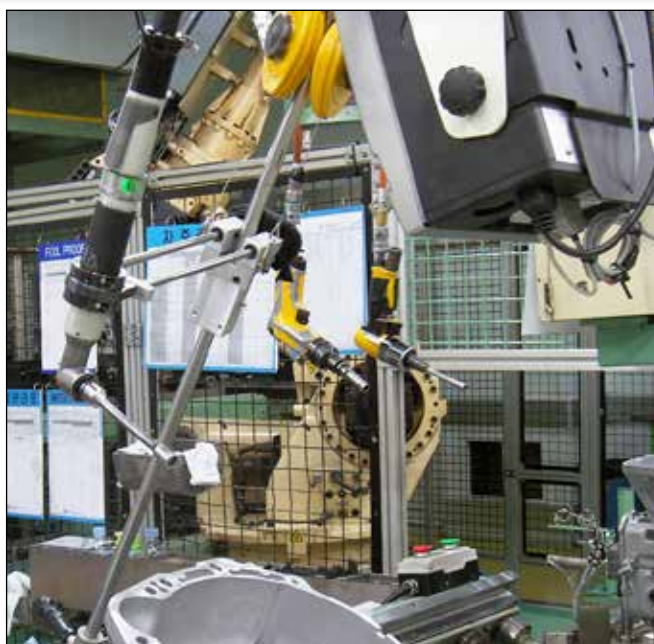
Stator Assembly



Need: Tools for transmission assembly line.

AcraDyne Solution: 1000 and 2000 series AcraDyne DC tools with Ergo Arms and fixtures.

Rizhao, China: Transmission Assembly



Argentina: Truck Assembly

Axle Assembly



CNH Iveco Factory, Bourbon Lancy, France

Application: Engine dressing, sub-assembly mounting
Application torque: 1.6 to 4 Nm
AcraDyne tool used: AES4A12006BQ
Controller: IEC4EV

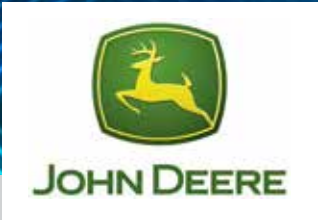




Multinational manufacturer of equipment for construction, agriculture, waste handling, and demolition

Wheel Installation





Manufactures agricultural, construction, and forestry machinery, diesel engines, drivetrains used in heavy equipment, and lawn care equipment

Assembly

Small Loader Wheel Mount



Steer Skidder Plate Mount



Wheel Assembly



Tie Rod Adjustment





Torque Cart for Sprayer Tank Assembly



Torque Cart for Combine Frame



Multi-Spindle System for Row Planter





Two-Spindle System for Loader Wheels



Angle Tool for Row Planter



Sprocket Assembly



Forestry Cab Assembly





One of Europe's leading manufacturers of commercial vehicles, engines, and mechanical engineering equipment

Marine Engine Assembly





Global provider of automotive systems, modules, and components for light vehicle, commercial truck, trailer, and specialty original equipment manufacturers

Assembly of Bearing Cap to Carrier



South Carolina: Four Spindle Multiples





Global full-line vehicle manufacturer

Smyrna, Georgia: Automotive Subframe Install

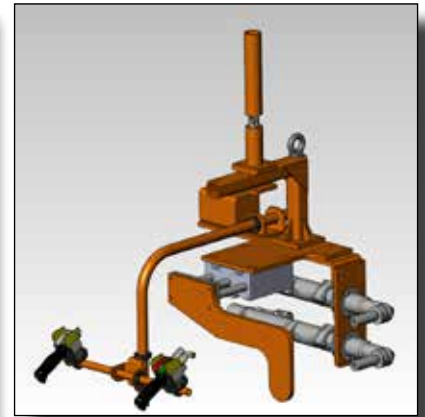
Car Subframe



TLink



Strut to Knuckle



Center Bearing and Lower Torque Rod



Upper Torque Rod





SCANIA

Major Swedish automotive industry manufacturer of commercial vehicles, specifically heavy trucks and buses

Brazil: Subassembly Truck Plant



Need: Tools for disassembly and reassembly/replacement of earthmover wheels.

AcraDyne Solution: 2000 Nm inline HT DC tool system with ABB articulated robot.

Australia: Mining Truck Wheel Nut Assembly and Disassembly



Wind Tower Assembly



Tool Lift Assist



Wind Tower Servicing





Global company focused on providing active and passive safety products and services to the automotive industry

Need: Four-bolt and six-bolt applications were having issues on valve cover assembly due to an o-ring that was not seated properly.

AcraDyne Solution: AEN35225B and AEP35350APT nutrunners, coupled with the Gen IV controller, allowed operators to create and set parameters to monitor and properly tighten all bolts.

Queretaro, Queretaro, Mexico: Driving Wheel Hydraulics Assembly







One of the world's leading manufacturers of trucks, buses, construction equipment, and marine and industrial engines

Brazil: Excavator, Backhoe, and Wheel Loader Assembly



Sub Assembly for Large Combustion Engines





World's leading global manufacturer of home appliances

Assembly-Line Screwdriving System



DC

Continuous

PISTOL



Top Exit Cable



Rear Exit Cable

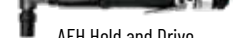


Bottom Exit Cable

ANGLE



AEN Series



AEH Hold and Drive Series

INLINE



AES Series



Fixtured AEF Series



Push-to-Start AEL Series



Tubenut AET Series

HT



Pistol AEP Series

Rear Mounted Pistol AED Series



Axial AEJ Series



Fixtured AEF Series



Straight Lever AES Series



Angle AEN Series



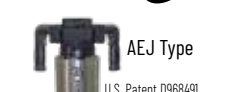
Dual Lever Series



AES Type



AEF Type



AEJ Type

U.S. Patent D968491



AEP Type

Discontinuous

Pistol



AEP4P Series



BATTERY

Transducerized



High Torque



SPECIALS



AEG Series

High Torque Series



AEN Series



Mid-Exit

CUSTOM ENGINEERED SYSTEMS



CONTROLLERS



Gen IV Controller Software



Gen IV Field Controller





CORPORATE HEADQUARTERS

10000 SE Pine St.
Portland, Oregon 97216
Phone: (503) 254-6600
Toll Free: 800-852-1368

AIMCO CORPORATION DE MEXICO SA DE CV

Ave. Cristobal Colon 14529
Chihuahua, Chihuahua. 31125
Mexico
Toll Free : (01-800) 801-1600
Direct : (01-614) 380-1010
Fax: (01-614) 380-1019