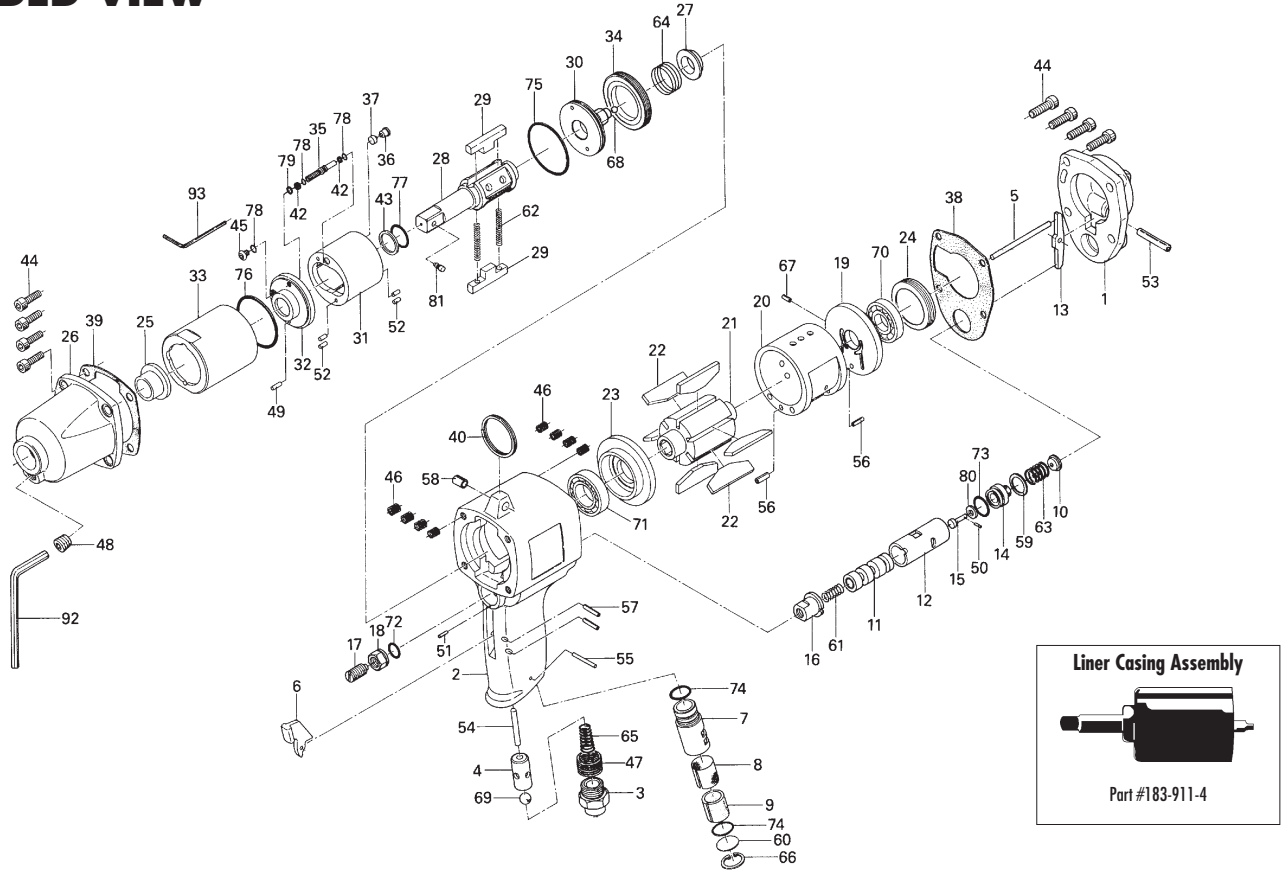


# UX-ST1000 AUTO-REVERSING OIL-PULSE TOOL FOR STUD BOLT

## EXPLODED VIEW



## PARTS LIST — FOR REFERENCE ONLY

Index Number	Part Number	Description	Qty.	Index Number	Part Number	Description	Qty.	Index Number	Part Number	Description	Qty.
1	044-012-1	Head Cover	1	30	183-901-4	Rear Liner Plate	1	59	975-102-0	Spacer (18 x 14 x 0.8)	1
2	192-025-8	Handle	1	31	194-902-4	Liner	1	60	975-598-0	Round Plate (18 x 1)	1
3	185-091-7	Air Inlet Bushing	1	32	194-904-4	Front Liner Plate	1	61	976-130-0	Spring (6.5 x 23)	1
4	063-102-1	Valve Bushing	1	33	194-905-4	Liner Casing	1	62	976-453-0	Spring (4.5 x 34.5)	2
5	192-130-7	Piston Rod	1	34	194-906-4	Liner Casing Setter	1	63	976-321-0	Spring (13 x 14)	1
6	187-107-1	Throttle Trigger	1	35	194-907-4	Relief Valve Spindle	1	64	976-660-0	Spring (29.5 x 15)	1
7	194-780-4	Exhaust Stack	1	36	194-969-4	Relief Valve Plug	1	65	977-220-0	Cone Spring (9 x 10 x 25)	1
8	194-042-4	Silencer	1	37	195-970-3	Relief Valve	1	66	979-318-0	Inner Snap Ring (IRTW-18)	1
9	194 835-4	Filter	1	38	044-853-1	Rear Packing	1	67	980-008-0	Round Head Notch (2.4)	1
10	044-173-1	Governor Valve Spring Shoe	1	39	188-867-9	Front Casing Packing	1	68	981-002-0	Ball (1/8)	1
11	044-210-1	Reverse Valve	1	40	004-790-2	Suspension Ring	1	69	981-210-0	Ball (3/8)	1
12	192-211-7	Reverse Valve Bushing	1	42	944-003-0	Supporting Ring (3.0 x 5.0 x 1)	2	70	982-403-0	Ball Bearing (EE-4)	1
13	044-212-1	Reverse Lever	1	43	944-210-0	Supporting Ring (16 x 19.9 x 1)	1	71	982-951-0	Ball Bearing (16003)	1
14	044-225-1	Subsidiary Valve Body	1	44	945-116-0	Allen Head Bolt (M5 x 16)	8	72	990-008-0	O-Ring (P10)	1
15	044-226-1	Subsidiary Valve	1	45	945-942-0	Hexagon Round Head Bolt (M4 x 6)	1	73	990-014-0	O-Ring (P14)	1
16	044-255-1	Regulator Barrel	1	46	965-011-0	Heli-Sert (M5 x 1.5D)	8	74	990-914-0	O-Ring (SNS-16)	2
17	192-256-7	Regulator Spindle	1	47	965-073-0	Heli-Sert (UNF5/8) (N6)	1	75	990-930-0	O-Ring (SNS-40)	1
18	192-269-7	Regulator Spindle Nut	1	48	966-100-0	Allen Head Plug (1/8)	1	76	990-932-0	O-Ring (SNS-42)	1
19	044-285-1	Rear Plate	1	49	969-450-0	Pin (G) (3 x 8)	1	77	992-021-0	O-Ring (Q-16) (NTN)	1
20	188-286-9	Cylinder	1	50	970-010-0	Pin (H) (1 x 8)	1	78	990-971-0	O-Ring (SNS-3) (NOK)	3
21	183-287-4	Rotor	1	51	970-092-0	Pin (H) (2 x 5.5)	1	79	990-974-0	O-Ring (SNS-6) (NOK)	1
22	175-288-7	Rotor Blade (PC)	6	52	970-206-0	Pin (H) (3 x 8)	4	80	996-407-0	Packing (10 x 5.5 x 2)	1
23	194-289-4	Front Plate	1	53	971-326-0	Pin (4 x 26)	1	81	891-304-1	Socket Pin Assembly	1
24	044-299-1	Bearing Cover	1	54	970-337-0	Pin (H) (4 x 36)	1				
25	189-328-8	Anvil Bushing	1	55	971-163-0	Pin (2.5 x 23)	1				
26	183-439-4	Front Casing	1	56	973-108-0	Roll Pin (3 x 8)	2				
27	183-164-4	Spring Retainer	1	57	973-116-0	Roll Pin (3 x 16)	2				
28	891-312-1	Anvil (OP-P)	1	58	973-340-0	Roll Pin (6 x 10)	1				
29	194-440-4	Driving Blade	2								

### ACCESSORIES

92	939-104-0	Allen Wrench (5 mm)	1
93	939-109-0	Allen Wrench (2 mm)	1

### FOOTNOTES



10000 SE PINE  
PORTLAND, OR 97216  
503-254-6600  
FAX 503-255-2615

When ordering spare parts, please specify tool type, part number, and description.