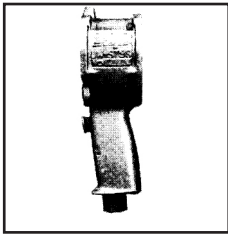
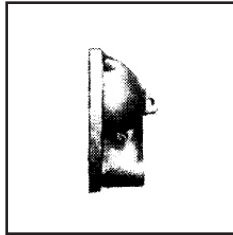


UW-ST9SK & UW-ST10SHK IMPACT WRENCHES

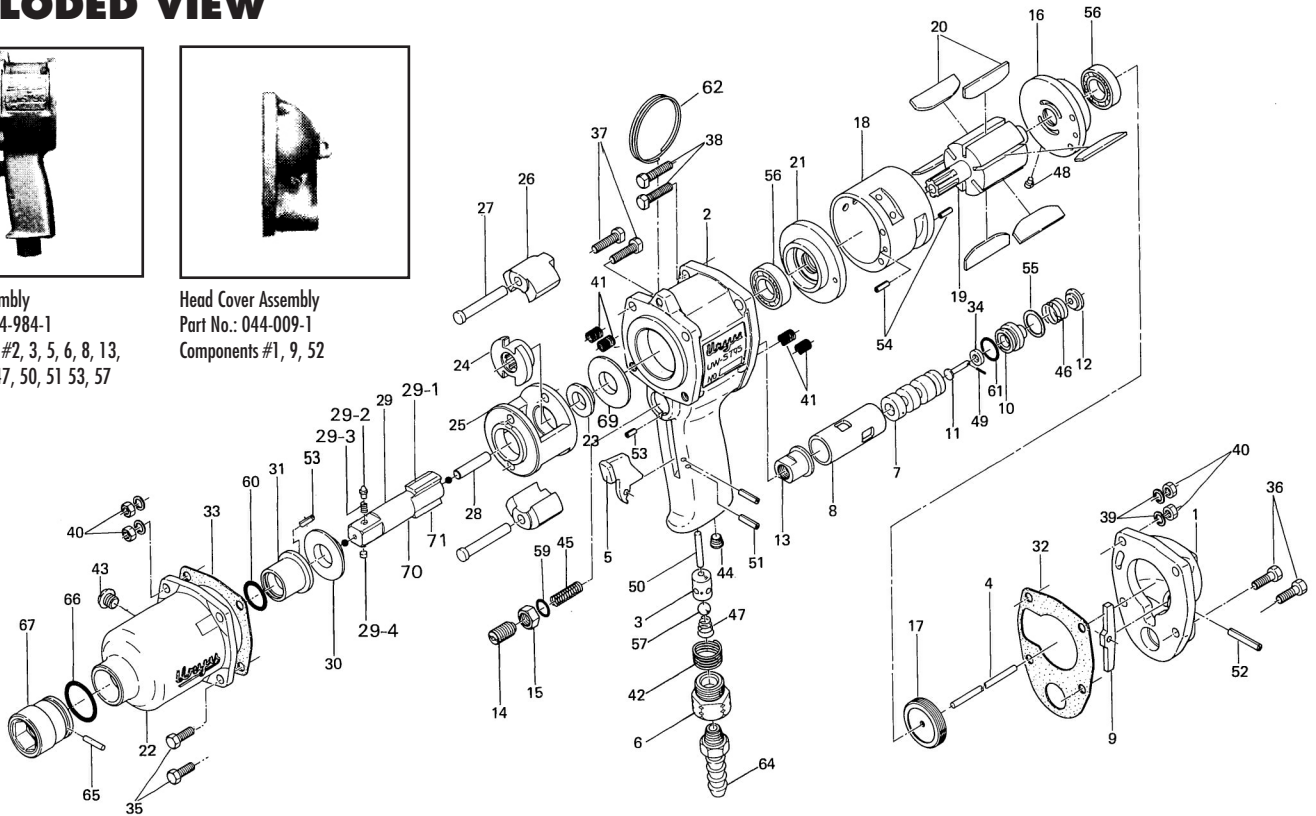
EXPLODED VIEW



Handle Assembly
Part No.: 044-984-1
Components #2, 3, 5, 6, 8, 13,
41 42, 44, 47, 50, 51 53, 57



Head Cover Assembly
Part No.: 044-009-1
Components #1, 9, 52



PARTS LIST — FOR REFERENCE ONLY

Index Number	Part Number	Description	Qty.	Index Number	Part Number	Description	Qty.	Index Number	Part Number	Description	Qty.
1	044-012-1	Head Cover	1 ■	29-1	153-319-1	Anvil (P)	1	56	982-403-0	Ball Bearing (EE-4)	2
2	044-025-2	Handle	1 ●	29-2	153-800-2	Socket Retainer Pin (Flat)	1	57	981-207-0	Ball (9/32)	1 ●
3	010-102-1	Valve Bushing	1 ●	29-3	976-034-0	Spring (3.6 x 11 x 0.5)	1	59	990-908-0	O-Ring (SNS-10)	1
4	044-105-1	Operating Rod	1	29-4	971-302-0	Pin (4 x 12)	1	60	993-034-0	Felt Ring (16 x 21 x 2)	1
5	018-107-2	Throttle Trigger	1 ●	30	044-326-1	Hammer Cage Bushing	1	61	990-014-0	O-Ring (P-14)	1
6	185-091-7	Air Inlet Bushing	1 ●	31	041-328-1	Anvil Bushing	1	62	004-790-2	Suspension Ring	1
7	044-210-1	Reverse Valve	1	32	044-853-1	Rear Packing	1	PARTS FOR UW-ST10SHK			
8	044-211-1	Reverse Valve Bushing	1 ●	33	041-857-1	Front Packing	1	(4)	044-105-4	Operating Rod	1
9	044-212-1	Reverse Lever	1 ■	34	996-407-0	Packing (10 x 5.5 x 2)	1	(22)	044-028-4	Hammer Casing	1
10	044-225-1	Subsidiary Valve Body	1	35	946-114-0	Hexagon Head Bolt (M5 x 14)	2	(23)	044-310-4	Anvil Rear Spacer	1
11	044-226-1	Subsidiary Valve	1	36	946-116-0	Hexagon Head Bolt (M5 x 16)	2	(24)	050-311-1	Hammer Cam	1
12	044-173-1	Governor Valve	1	37	947-120-0	Half Head Bolt (M5 x 20)	2	(25)	050-312-1	Hammer Cage	1
		Spring Shoe	1	38	947-122-0	Half Head Bolt (M5 x 22)	1	(26)	050-313-1	Hammer	2
13	044-255-1	Regulator Barrel	1 ●	39	962-008-0	Spring Washer (2-5S)	4	(27)	050-317-1	Hammer Pin	2
14	044-256-1	Regulator Spindle	1	40	960-036-0	Hexagon Nut (1-M5)	4	(28)	050-318-1	Pilot Pin	1
15	044-269-1	Regulator Spindle Nut	1	41	965-011-0	Heli-vert (M5 x 1.5D)	4 ●	(30)	044-326-4	Hammer Cage Bushing	1
16	044-285-3	Rear Plate	1	42	965-073-0	Heli-vert (UHF 5/8 N6)	1 ●	(69)	044-282-4	Handle Bushing	1
17	044-299-1	Bearing Cover	1	43	945-962-0	Hexagon Round Head Bolt (M6 x 6)	1	(70)	050-319-1	Anvil (O)	1
18	041-286-7	Cylinder	1	44	966-100-0	Allen Head Plug (1/8)	1 ●	(71)	158-319-1	Anvil (P)	1
19	044-287-1	Rotor	1	45	976-154-0	Spring (7 x 31)	1	ACCESSORIES			
20	041-288-1	Blade	6	46	976-321-0	Spring (13 x 14)	1	63	932-110-0	Air Regulator (U1/4)	1
21	041-289-7	Front Plate	1	47	977-178-0	Cone Spring (7.8 X 9.8 X 22)	1 ●	64	940-114-0	Air Hose Nipple (1/4 x 3/8)	1
22	042-028-7	Hammer Casing	1	48	980-008-0	Round Head Notch (2.4)	1	65	971-991-0	Pin (3.2 x 24)	1
23	041-310-1	Anvil Rear Spacer	1	49	970-010-0	Pin (H) (1 x 8)	1	66	990-291-0	O-Ring (JW17)	1
24	041-311-1	Hammer Cam	1	50	970-230-0	Pin (H) (3 x 30)	1 ●	67	903-103-0	Stud Bolt (M8 x 1.25) for UW-ST9SK	1
25	041-312-1	Hammer Cage	1	51	973-116-0	Roll Pin (3 x 16)	2 ●	68	903-105-0	Stud Bolt (M10 x 1.5) for UW-ST10SHK	1
26	041-313-1	Hammer	2	52	971-326-0	Pin (4 x 26)	1 ■				
27	041-317-1	Hammer Pin	2	53	973-006-0	Roll Pin (2 x 6)	2 ●				
28	044-318-1	Pilot Pin	1	54	973-108-0	Roll Pin (3 x 8)	2				
29	041-319-1	Anvil (O)	1	55	975-102-0	Spacer (18 x 14 x 0.8)	1				



10000 SE PINE
PORTLAND, OR 97216
503-254-6600
FAX 503-255-2615

When ordering spare parts, please specify
tool type, part number, and description.

FOOTNOTES

- = Handle Assembly component
- = Head Cover Assembly component