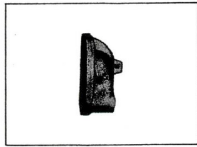
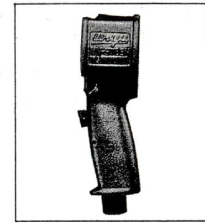


UW-ST6SHK IMPACT WRENCH

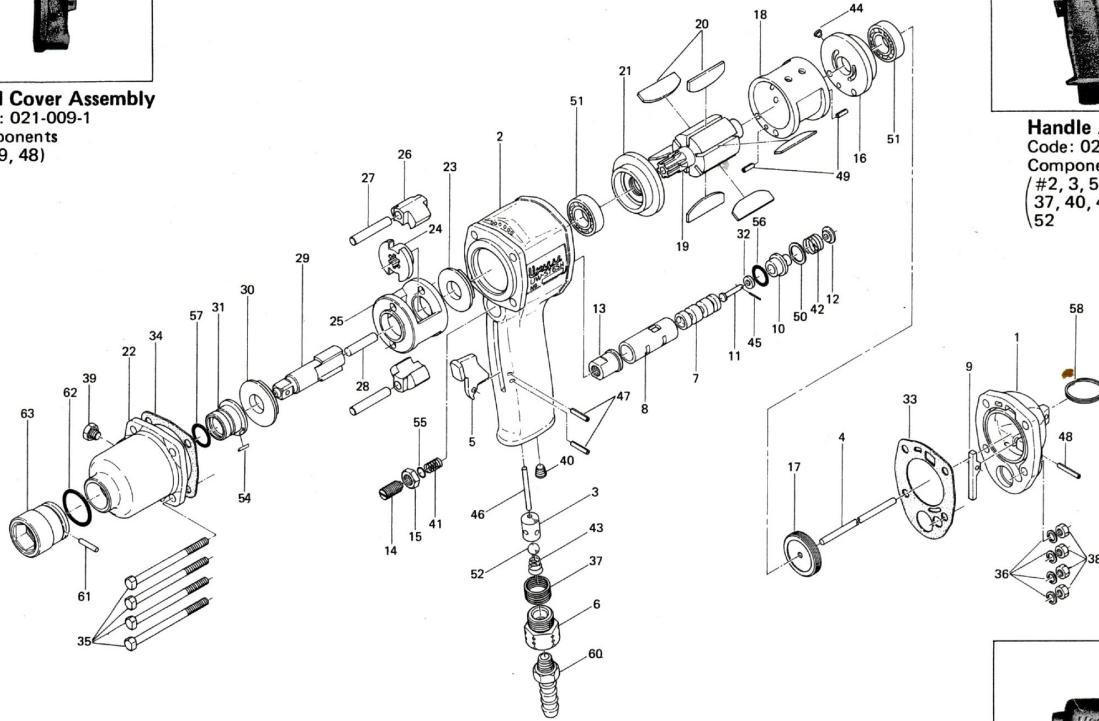
EXPLODED VIEW



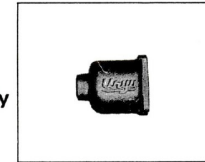
Head Cover Assembly
Code: 021-009-1
Components
(#1, 9, 48)



Handle Assembly
Code: 021-004-1
Components
(#2, 3, 5, 6, 8, 13,
37, 40, 43, 46, 47,
52)



Hammer Casing Assembly
Code: 026-007-3
Components
(#22, 31, 39, 54, 57)



PARTS LIST — FOR REFERENCE ONLY

| Index Number | Part Number | Description | Qty. | Index Number | Part Number | Description | Qty. | Index Number | Part Number | Description | Qty. |
|--------------|-------------|------------------------------|------|--------------|-------------|----------------------------------|------|-------------------------|-------------|-----------------------------|------|
| 1 | 021-012-1 | Head Cover | 1 ▲ | 28 | 044-318-1 | Pilot Pin | 1 | 55 | 990-906-0 | O-Ring (SNS-8) | 1 |
| 2 | 021-025-2 | Handle | 1 ■ | 29 | 018-319-1 | Anvil (0) | 1 | 56 | 990-011-0 | O-Ring (P-12) | 1 |
| 3 | 010-102-1 | Valve Bushing | 1 ■ | 30 | 021-326-1 | Hammer Cage Bushing | 1 | 57 | 993-003-0 | Felt Ring (14 x 18 x 1.5) | 1 ● |
| 4 | 021-105-1 | Operating Rod | 1 | 31 | 018-328-1 | Anvil Bushing | 1 ● | 58 | 004-790-2 | Suspension Ring | 1 |
| 5 | 018-107-2 | Throttle Trigger | 1 ■ | 32 | 996-400-0 | Subsidiary Valve Packing | 1 | ACCESSORIES | | | |
| 6 | 185-091-7 | Air Inlet Bushing | 1 ■ | 33 | 021-853-1 | Rear Packing | 1 | 59 | 932-110-0 | Air Regulator (U 1/4) | 1 |
| 7 | 021-210-1 | Reverse Valve | 1 | 34 | 018-857-1 | Front Packing | 1 | 60 | 940-114-0 | Air Hose Nipple (1/4 x 3/8) | 1 |
| 8 | 021-211-1 | Reverse Valve Bushing | 1 ■ | 35 | 947-172-0 | Half Head Bolt (M5 x 72) | 4 | 61 | 971-990-0 | Pin (3 x 16.5) | 1 |
| 9 | 021-212-1 | Reverse Lever | 1 ▲ | 36 | 962-008-0 | Spring Washer (2-55) | 4 | 62 | 990-290-0 | O-Ring (JW12) | 1 |
| 10 | 021-225-1 | Subsidiary Valve Body | 1 | 37 | 965-073-0 | Heli-sert (UNF 5/8 x N6) | 1 ■ | 63 | 903-002-0 | Stud Bolt (M6 x 1.0) | 1 |
| 11 | 021-226-1 | Subsidiary Valve | 1 | 38 | 960-036-0 | Hexagon Nut (1-M5) | 4 | OPTIONAL SOCKETS | | | |
| 12 | 021-221-1 | Subsidiary Valve Spring Shoe | 1 | 39 | 945-962-0 | Hexagon Round Head Bolt (M6 x 6) | 1 ● | 64 | 903-000-0 | Stud Socket (M4 x 0.7) | 1 |
| 13 | 021-255-1 | Regulator Barrel | 1 ■ | 40 | 966-100-0 | Allen Head Plug (1/8) | 1 ■ | 65 | 903-001-0 | Stud Socket (M5 x 0.8) | 1 |
| 14 | 021-256-1 | Regulator Spindle | 1 | 41 | 976-130-0 | Spring (6.5 x 23) | 1 | 66 | 903-003-0 | Stud Socket (M8 x 1.25) | 1 |
| 15 | 021-269-1 | Regulator Spindle Nut | 1 | 42 | 976-299-0 | Spring (12 x 15) | 1 | 67 | 903-005-0 | Stud Socket (M10 x 1.5) | 1 |
| 16 | 021-285-3 | Rear Plate | 1 | 43 | 977-175-0 | Cone Spring (7.5 x 10.3 x 22) | 1 ■ | 68 | 903-009-0 | Stud Socket (M12 x 1.75) | 1 |
| 17 | 044-299-1 | Bearing Cover | 1 | 44 | 980-008-0 | Round Head Notch (2.4) | 1 | 69 | 903-035-0 | Stud Socket (W1/4 - 20) | 1 |
| 18 | 026-286-7 | Cylinder | 1 | 45 | 970-008-0 | Pin (H) (1 x 5.8) | 1 | 70 | 903-036-0 | Stud Socket (W5/16) | 1 |
| 19 | 021-287-1 | Rotor | 1 | 46 | 970-237-0 | Pin (H) (3 x 37) | 1 ■ | 71 | 903-037-0 | Stud Socket (W3/8 - 16) | 1 |
| 20 | 018-288-1 | Blade | 6 | 47 | 973-116-0 | Roll Pin (3 x 16) | 2 ■ | 72 | 903-038-0 | Stud Socket (W7/16 - 14) | 1 |
| 21 | 026-289-7 | Front Plate | 1 | 48 | 971-220-0 | Pin (3 x 20) | 1 ▲ | 73 | 903-040-0 | Stud Socket (W10 - 20) | 1 |
| 22 | 026-028-3 | Hammer Casing | 1 ● | 49 | 973-110-0 | Roll Pin (3 x 10) | 2 | | | | |
| 23 | 018-310-1 | Anvil Rear Spacer | 1 | 50 | 975-077-0 | Spacer (16.5 x 13 x 0.8) | 1 | | | | |
| 24 | 018-311-1 | Hammer Cam | 1 | 51 | 982-403-0 | Ball Bearing (EE-4) | 2 | | | | |
| 25 | 018-312-1 | Hammer Cage | 1 | 52 | 981-207-0 | Ball (9/32) | 1 ■ | | | | |
| 26 | 018-313-1 | Hammer | 2 | 54 | 973-006-0 | Roll Pin (2 x 6) | 1 ● | | | | |
| 27 | 018-317-1 | Hammer Pin | 2 | | | | | | | | |

FOOTNOTES

- = Items in Hammer Casing Assembly #026-007-3
- = Items in Handle Assembly #021-004-1
- ▲ = Items in Head Cover Assembly #021-009-1



10000 SE PINE
PORTLAND, OR 97216
503-254-6600
FAX 503-255-2615

When ordering spare parts, please specify
tool type, part number, and description.