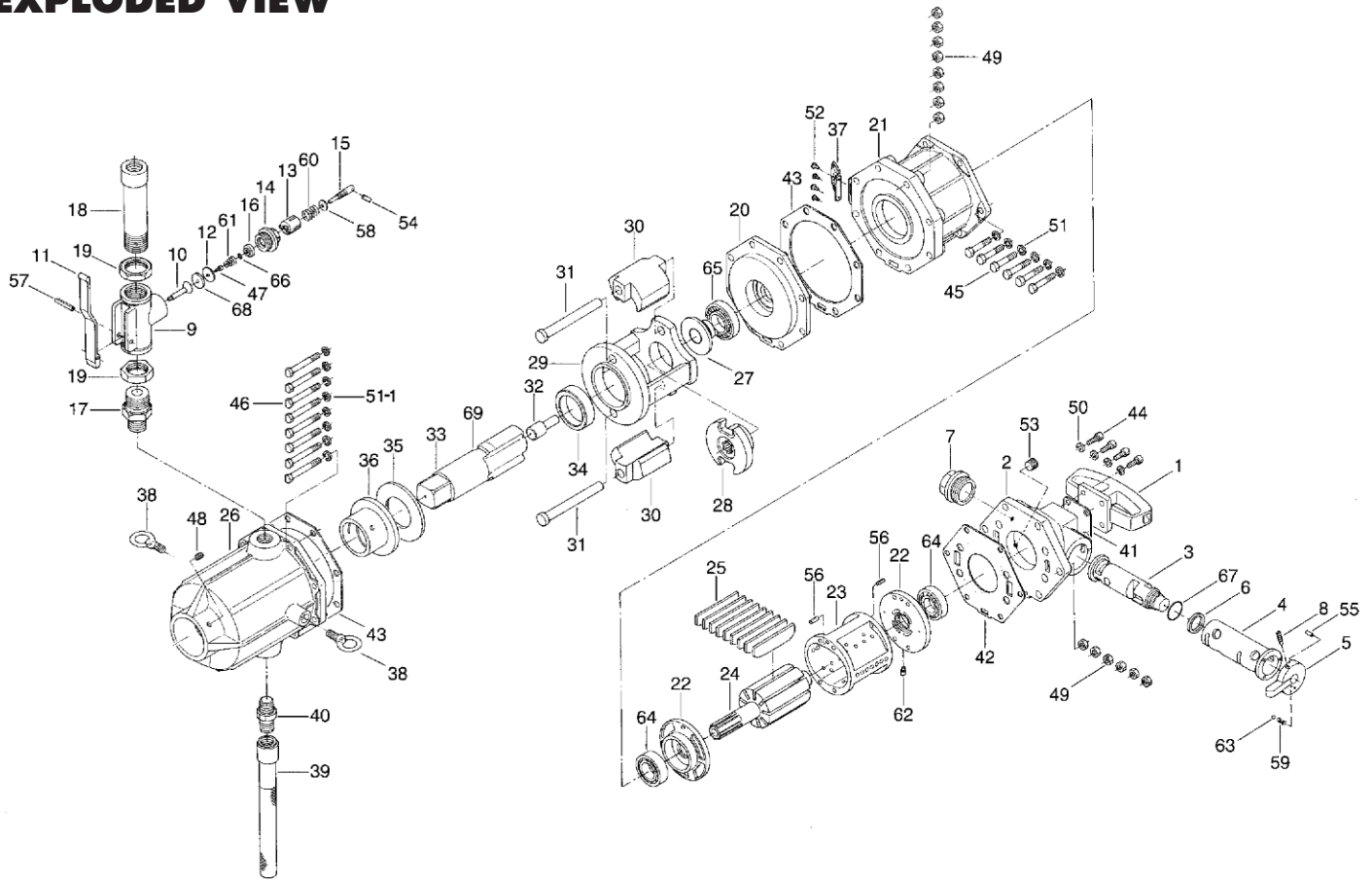


# UW-75S IMPACT WRENCH

## EXPLODED VIEW



## PARTS LIST — FOR REFERENCE ONLY

Index Number	Part Number	Description	Qty.	Index Number	Part Number	Description	Qty.	Index Number	Part Number	Description	Qty.
1	117-725-1	Head Handle	1	26	120-028-1	Hammer Casing	1	50	962-011-0	Spring Washer (2-8S)	4
2	120-012-1	Head Cover	1	27	120-310-1	Anvil Rear Spacer	1	51	962-052-0	Spring Washer (2-3/8S)	8
3	120-210-2	Reverse Valve	1	28	120-311-1	Hammer Cam	1	51-1	975-080-0	Washer (17x10x2)	6
4	120-211-1	Reverse Valve Bushing	1	29	120-312-1	Hammer Cage	1	52	963-250-0	Tapping Screw (1-M3x8)	4
5	120-212-1	Reverse Lever	1	30	120-313-1	Hammer	2	53	966-100-0	Alien Head Plug (GM1/8)	1
6	120-213-1	Reverse Valve Spacer	1	31	120-317-1	Hammer Pin	2	54	971-324-0	Pin (4x24)	1
7	120-214-1	Reverse Valve Cover	1	32	120-318-1	Pilot Pin	1	55	973-212-0	Roll Pin (4x2)	1
8	120-218-1	Reverse Lever Set Screw	1	33	120-319-1	Anvil	1	56	973-316-0	Roll Pin (5x16)	2
9	120-014-1	Valve Body	1	34	120-326-1	Hammer Cage Bushing	1	57	973-329-0	Roll Pin (5x40)	1
10	120-100-1	Valve	1	35	120-327-1	Anvil Front Spacer	1	58	975-115-0	Spacer (19.5x9.3x2)	1
11	120-107-1	Valve Lever	1	36	120-328-1	Anvil Bushing	1	59	976-082-0	Spring (5x19x0.5)	1
12	120-120-1	Valve Packing Spacer	1	37	120-021-1	Exhaust Cover	1	60	976-440-0	Spring (18x25x1.2)	1
13	120-242-1	Regulator Dial	1	38	120-795-1	Eye Bolt	2	61	977-270-0	Cone Spring (10x20x20)	1
14	120-243-1	Regulator Valve Cover	1	39	636-720-1	Dead Handle	1	62	980-007-0	Round Head Notch (5mm)	1
15	120-245-1	Regulator Valve Spindle	1	40	636-730-1	Dead Handle Connector	1	63	981-006-0	Ball (1/4)	1
16	120-246-1	Regulator Valve O-Ring Casing	1	41	120-851-1	Handle Packing	1	64	982-206-0	Ball Bearing (6206)	2
17	120-729-2	Valve Body Connector	1	42	120-853-1	Handle Cover Packing	1 ●	65	985-005-0	Cone Roller Bearing (30207)	1
18	120-734-1	Valve Body Pipe	1	43	120-856-1	Separator Packing	2 ●	66	990-004-0	O-Ring (P6)	1
19	120-739-1	Valve Body Nut PS1/4	2	44	945-325-0	Allen Head Bolt (M8x25)	4	67	990-224-0	O-Ring (JW1516-24)	1
20	120-027-1	Separator	1	45	947-647-0	Half Head Bolt (UNF3/8x47)	6	68	996-453-0	Packing (28x4.1x3)	1
21	120-025-1	Casing	1	46	947-678-0	Half Head Bolt (UNF3/8x78)	8	69	858-010-1	Anvil (1-1/2)	1
22	120-284-1	Cylinder Plate	2	47	948-110-0	Round Head Screw (M4x10)	1				
23	120-286-1	Cylinder	1	48	952-512-0	Allen Head Dog Point Screw (M8x12)	1				
24	120-287-1	Rotor	1	49	960-301-0	Hexagon Nut (UNF3/8)	14				
25	120-288-1	Blade	9 ●								

AIMCO also offers a complete line of standard & special adapters, bits, sockets and extensions.

● Items in Pulse Repair Kit UW-75S-RK



10000 SE Pine Street  
Portland, OR 97216  
503-254-6600  
FAX 503-255-2615

When ordering spare parts, please specify tool type, part number and description.