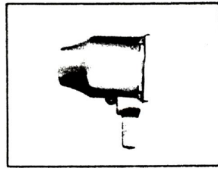
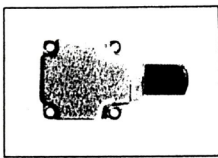


UW-401 & UW-401L IMPACT WRENCHES

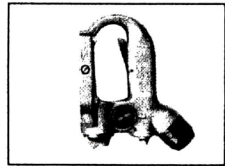
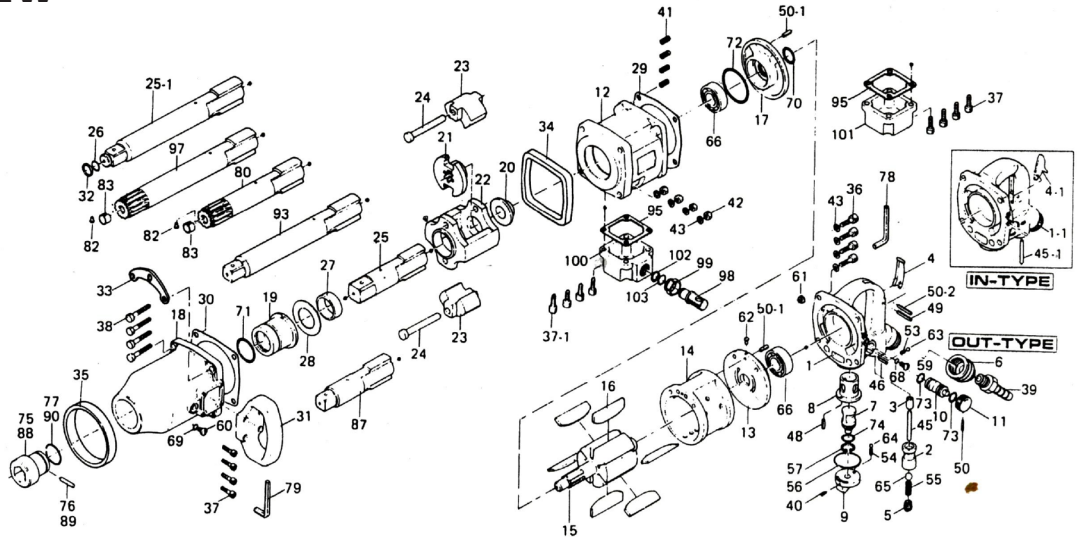
EXPLODED VIEW



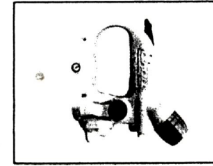
Hammer Casing Assembly
Code No. 111-007-1
Components
(# 18,31,37,60,69)



Standard Universal Type Exhaust Deflector Assembly
Code No. 111-885-1
Components
(# 37-1, 95,98,99,100, 102,103)



Handle Assembly (In)
Code No. 109-001-6
Components
(# 1-1,2,3,4-1,5,6,7,8,9, 40, 45-1,46,48,49,50-2,53,54, 55,56,57,59,61,64,65,68, 73,74)



Handle Assembly (Out)
Code No. 109-001-1
Components
(# 1, 2, 3, 4, 5, 6, 7, 8, 9, 10, 11, 40, 45, 46, 48, 49, 50, 50-2, 53, 54, 55, 56, 57, 59, 61, 63, 64, 65, 68, 73, 74)

PARTS LIST — FOR REFERENCE ONLY

Index Number	Part Number	Description	Qty.	Index Number	Part Number	Description	Qty.	Index Number	Part Number	Description	Qty.
1	109-010-1	Handle (Outer Trigger)	1 ■	33	109-794-1	Suspension Plate	1	70	990-013-0	O-Ring (P25)	1
1-1	109-010-6	Handle (inner Trigger)	1 ▲	34	111-840-1	Casing Protector	1	71	990-039-0	O-Ring (P40)	1
2	093-102-1	Valve Bushing	1 ■▲	35	111-841-1	Hammer Casing Protector	1	72	990-510-0	O-Ring (G60)	1
3	093-103-1	Valve Rod Bushing	1 ■▲	36	945-325-0	Allen Head Bolt (M8 x 25)	4	73	990-211-0	O-Ring (JW1516-11)	2 ■▲
4	109-107-1	Throttle Trigger (Out)	1 ■	37	945-218-0	Allen Head Bolt (M6 x 18)	8 ○	74	990-216-0	O-Ring (JW1516-16)	1 ■▲
4-1	091-107-6	Throttle Trigger (In)	1 ▲	37-1	945-118-0	Allen Head Bolt (M5 x 18)	4 ●	95	111-808-1	Exhaust Cover Packing	1 ●
5	093-108-1	Valve Plug	1 ■▲	38	945-342-0	Allen Head Bolt (M8 x 45)	4	98	111-780-2	Exhaust Stack	1 ●
6	093-096-1	Air inlet Bushing (W35 x NPT1/2)	1 ■▲	40	952-320-0	Allen Head Dog Point Screw (M6 x 20)	1 ■▲	99	111-781-2	Exhaust Bushing	1 ●
7	109-210-1	Reverse Valve	1 ■▲	41	965-041-0	Heli-sert (M8 x 1.5D)	4	100	111-021-1	Exhaust Cover	1 ●
8	109-211-1	Reverse Valve Bushing	1 ■▲	42	960-048-0	Hexagon Nut (1-M8)	4	102	978-186-0	Snap Ring (19 x 1.2)	1 ●
9	109-212-1	Reverse Lever	1 ■▲	43	962-011-0	Spring Washer (2-8S)	8	103	990-017-0	O-Ring (P18)	1 ●
10	109-240-1	Regulator Valve	1 ■	45	970-580-0	Pin (H) (6 x 80)	1 ■▲	STANDARD ACCESSORIES			
11	109-242-1	Regulator Dial	1	45-1	970-564-0	Pin (H) (6 x 63.5)	1 ▲	39	940-126-0	Air Hose Nipple (NPT1/2 x 1/2)	1
12	111-025-2	Casing	1	46	971-110-0	Pin (2 x 10)	1 ■▲	78	939-007-0	Allen Wrench (6)	1
13	109-285-1	Rear Plate	1	48	973-210-0	Roll Pin (4 x 10)	1 ■▲	79	939-104 0	Allen Wrench (5)	1
14	109-286-1	Cylinder	1	49	973-225-0	Roll Pin (4 x 25)	1 ■▲	OPTIONAL ACCESSORIES			
15	111-287-1	Rotor	1	50	973-124-0	Roll Pin (3 x 24)	1 ■	75	900-610-0	Hexagon Socket (58 x 83) 1 1/4 Sq.	1
16	111-288-1	Blade (White)	6	50-1	973-316-0	Roll Pin (5 x 16)	2	76	971-995-0	Pin 5 x 57	1
17	109-289-1	Front Plate	1	50-2	973-220-0	Roll Pin (4 x 20)	1 ■▲	77	990-295-0	O-Ring (JW33)	1
18	111-028-1	Hammer Casing	1 ○	53	976-032-0	Spring 3.6 x 13 (0.5)	1 ■▲	88	900-519-0	Hexagon Socket (50 x 75) 1 Sq.	1
19	109-328-1	Anvil Bushing	1	54	976-113-0	Spring 6 x 16 (0.71)	1 ■▲	89	971-994-0	Pin 5 x 47	1
20	111-310-1	Anvil Rear Spacer	1	55	976-211-0	Spring 9 x 33 (0.89)	1 ■▲	90	990-294-0	O-Ring (JW30)	1
21	111-311-1	Hammer Cam	1	56	978-470-0	Snap Ring 47 x 1.6	1 ■▲	101	113-021-1	Exhaust Deflector	1
22	109-312-1	Hammer Cage	1	57	979-019-0	Inner Snap Ring (26)	1 ■▲	OPTIONAL ANVILS			
23	109-313-2	Hammer	2	59	966-006-0	Round Head Plug (M6)	1 ■▲	80	169-322-2	Anvil (Spline)	1
24	109-317-1	Hammer Pin	2	60	966-010-0	Hexagon Head Plug (M8)	1 ○	87	106-319-2	Anvil (1)	1
25	109-319-2	Anvil (1-1/4)	1	61	966-100-0	Allen Head Plug (1/8)	1 ■▲	93	110-323-2	Extended Anvil	1
25-1	891-038-1	Extended Anvil (WR)	1	62	980-009-0	Round Head Notch (4)	1	97	170-325-2	Extended Anvil (Spline)	1
26	990-213-0	O-Ring (JW1516-13)	1	63	981-003-0	Steel Ball (5/32)	1 ■	82	169-800-1	Socket Retainer Pin	1
27	109-326-1	Hammer Cage Bushing	1	64	981-006-0	Steel Ball (1/4)	1 ■▲	83	169-803-1	Socket Retainer Spring	1
28	109-327-1	Anvil Front Spacer	1	65	981-214-0	Ball (1/2)	1 ■▲				
29	111-850-1	Rear Packing	1	66	982-205-0	Ball Bearing (6205)	2				
30	109-857-1	Front Packing	1	68	990-003-0	O-Ring (PS)	1 ■▲				
31	093-721-1	Dead Handle	1 ○	69	990-004-0	O-Ring (P6)	1 ○				
32	891-010-1	Snap Ring	1								



10000 SE PINE
PORTLAND, OR 97216
503-254-6600
FAX 503-255-2615

When ordering spare parts, please specify tool type, part number, and description.

FOOTNOTES

- = Standard Exhaust Deflector Components #111-885-1
- = Components for Handle Assembly (Outer Trigger) #109-001-1
- ▲ = Components for Handle Assembly (Inner Trigger) #109-001-6
- = Components for Handle Casing Assembly #111-007-1