

UW-32SLA IMPACT WRENCH

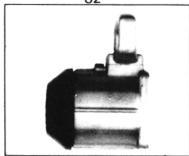
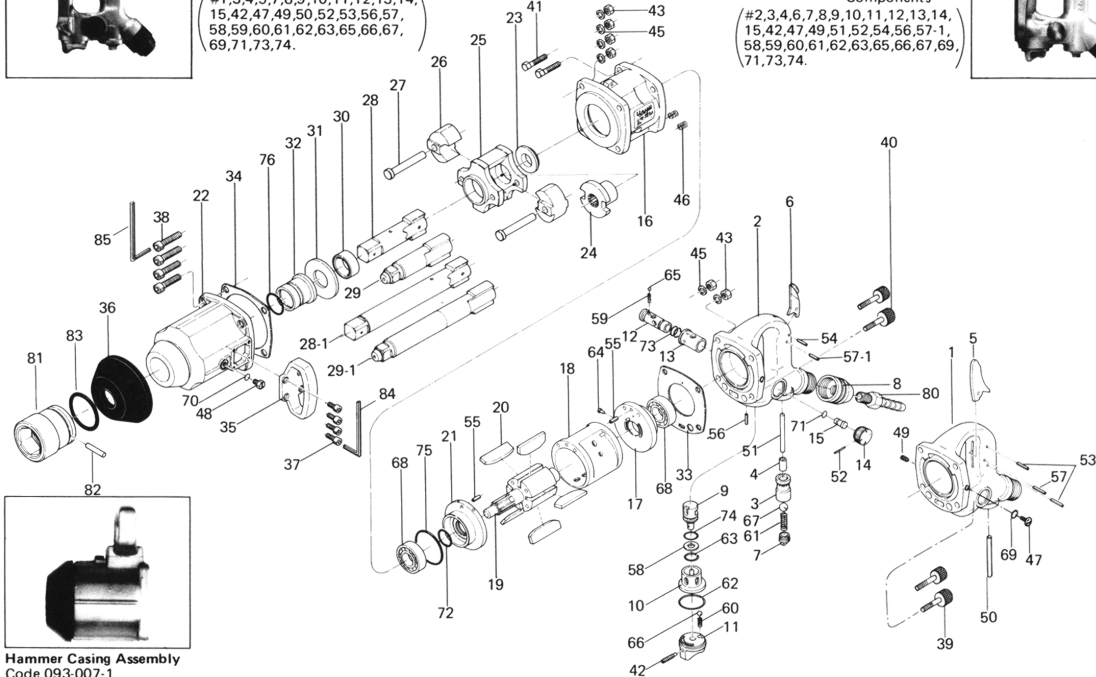
EXPLODED VIEW



**Handle Assembly
(Inside Trigger)**
Code 091-001-1
Components
(#1,3,4,5,7,8,9,10,11,12,13,14,
15,42,47,49,50,52,53,56,57,
58,59,60,61,62,63,65,66,67,
69,71,73,74.)



**Handle Assembly
(Outside Trigger)**
Code 093-001-1
Components
(#2,3,4,6,7,8,9,10,11,12,13,14,
15,42,47,49,51,52,54,56,57-1,
58,59,60,61,62,63,65,66,67,69,
71,73,74.)



Hammer Casing Assembly
Code 093-007-1
Components
(#22, 32, 35, 36, 37,
44, 48, 70, 76.)

PARTS LIST — FOR REFERENCE ONLY

Index Number	Part Number	Description	Qty.	Index Number	Part Number	Description	Qty.	Index Number	Part Number	Description	Qty.
1	091-010-1	Handle (Inside Type)	1 ▲	29	891-035-1	Anvil (WR) (Option)	1	57-1	973-224-0	Roll Pin (4 x 24)	1 ●
2	093-010-1	Handle (Outside Type)	1 ●	29-1	891-019-1	Extended Anvil (WR) (Option)	1	58	975-165-0	Spacer (24 x 15.2 x 1.7)	1 ●▲
3	093-102-1	Valve Bushing	1 ●▲	30	093-326-1	Hammer Cage Bushing	1	59	976-057-0	Spring (4.5 x 14)	1 ●▲
4	093-103-1	Valve Rod Bushing	1 ●▲	31	093-327-1	Anvil Front Spacer	1	60	976-113-0	Spring (6 x 16)	1 ●▲
5	091-107-6	Throttle Trigger (Inside)	1 ▲	32	093-328-1	Anvil Bushing	1 ■	61	976-211-0	Spring (9 x 33)	1 ●▲
6	109-107-1	Throttle Trigger (Outside)	1 ●	33	093-850-1	Rear Packing	1	62	978-271-0	Snap Ring (27 x 2)	1 ●▲
7	093-108-1	Valve Plug	1 ●▲	34	093-857-1	Front Packing	1	63	978-470-0	Snap Ring (47 x 1.6)	1 ●▲
8	093-096-1	Air Inlet Bushing (W35 x NPT1/2)	1 ●▲	35	093-721-1	Dead Handle	1 ■	64	980-009-0	Round Head Notch (4)	1
9	093-210-1	Reverse Valve	1 ●▲	36	093-841-1	Hammer Casing Protector	1 ■	65	981-004-0	Ball (3/16)	1 ●▲
10	093-211-1	Reverse Valve Bushing	1 ●▲	37	945-218-0	Allen Head Bolt (M6 x 18)	4 ■	66	981-006-0	Ball (1/4)	1 ●▲
11	093-212-1	Reverse Lever	1 ●▲	38	945-340-0	Allen Head Bolt (M8 x 40)	4	67	981-072-0	Ball (1/2)	1 ●▲
12	098-240-1	Regulator Valve	1 ●▲	39	945-335-0	Allen Head Bolt (M8 x 35)	2	68	BB6205ZZ	Ball Bearing (6205)	2
13	098-241-1	Regulator Dial	1 ●▲	40	945-335-0	Allen Head Bolt (M8 x 35)	2	69	990-003-0	O-Ring (P5)	1 ●▲
14	098-242-1	Regulator Dial	1 ●▲	41	947-340-0	Half Head Bolt (M8 x 40)	2	70	990-004-0	O-Ring (P6)	1 ■
15	098-243-1	Regulator Valve Cover	1 ●▲	42	952-320-0	Allen Head Dog Point Screw (M6 x 20)	1 ●▲	71	990-005-0	O-Ring (P7)	1 ●▲
16	093-025-1	Casing	1	43	960-048-0	Hexagon Nut (1-MB)	6	72	990-013-0	O-Ring (P25)	1
17	093-285-1	Rear Plate	1	45	961-014-0	Flat Washer (8 mm)	6	73	990-014-0	O-Ring (P14)	2 ●▲
18	093-286-1	Cylinder	1	46	965-011-0	Heli-Sert (M8 x 1.5D)	2	74	990-018-0	O-Ring (P20)	1 ●▲
19	093-287-1	Rotor	1	47	966-006-0	Hexagon Head Plug (M6)	1 ●▲	75	990-051-0	O-Ring (P60)	1
20	093-288-1	Blade	5	48	966-010-0	Hexagon Head Plug (M8)	1 ■	76	990-224-0	O-Ring (JW1516-24)	1 ■
21	093-289-1	Front Plate	1	49	966-100-0	Allen Head Plug (1/8)	1 ●▲	ACCESSORIES			
22	093-028-1	Hammer Casing	1 ■	50	970-563-0	Pin (H) (6 x 63)	1 ▲	80	940-126-0	Air Hose Nipple (NPT1/2 x 1/2)	1
23	093-310-1	Anvil Rear Spacer	1	51	970-575-0	Pin (H) (6 x 75)	1 ●	84	939-007-0	Allen Wrench (6 mm)	1
24	093-311-1	Hammer Cam	1	52	971-130-0	Pin (2 x 30)	1 ●▲	85	939-104-0	Allen Wrench (5 mm)	1
25	093-312-1	Hammer Cage	1	53	973-328-0	Roll Pin (4 x 28)	2 ▲	81	900-519-0	Hexagon Socket (50 x 76)	1
26	093-313-1	Hammer	2	54	973-220-0	Roll Pin (4 x 20)	1 ●	82	971-994-0	Pin (5 x 47)	1
27	093-317-1	Hammer Pin	2	55	973-212-0	Roll Pin (4 x 12)	2	83	990-294-0	O-Ring (JW30)	1
28	093-319-1	Anvil (Option)	1	56	973-216-0	Roll Pin (4 x 16)	1 ●▲				
28-1	094-323-1	Extended Anvil (Option)	1	57	973-216-0	Roll Pin (4 x 16)	1 ▲				

FOOTNOTES

- = Handle Assembly Components (Outside Type)
- ▲ = Handle Assembly Components (Inside Type)
- = Hammer Casing Assembly Components



10000 SE PINE
PORTLAND, OR 97216
503-254-6600
FAX 503-255-2615

When ordering spare parts, please specify
tool type, part number, and description.