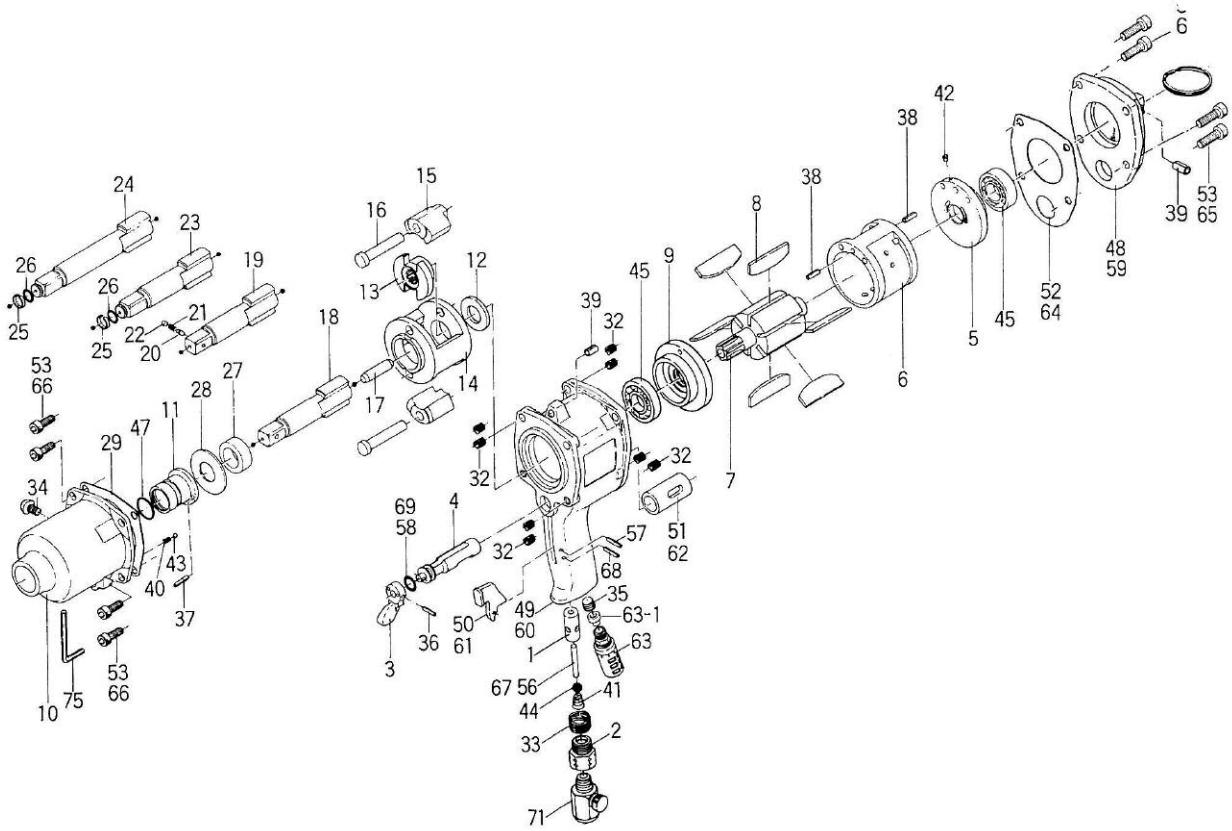


# UW-13SK & 13SRK IMPACT WRENCHES

## EXPLODED VIEW



## PARTS LIST — FOR REFERENCE ONLY

Index Number	Part Number	Description	Qty.	Index Number	Part Number	Description	Qty.	Index Number	Part Number	Description	Qty.
1	063-102-1	Valve Bushing	1	32	965-021-0	Heli-Sert (M6 X 1.5D)	8	60	063-025-5	Handle	1
2	185-091-7	Air Inlet Bushing	1	33	965-073-0	Heli-Sert (UNF5/8 X N6)	1	61	026-107-7	Throttle-Trigger	1
3	041-212-2	Reverse Lever	1	34	945-962-0	Hexagon R. H. Bolt (M6 X 6)	1	62	063-210-4	Reverse Valve	1
4	063-211-1	Reverse Valve Bushing	1	35	966-100-0	Allen Head Plug (1/8)	1	63	031-885-7	Silencer Assembly	1
5	063-285-7	Rear Plate	1	36	973-014-0	Roll Pin (2 X 14)	1	63-1	063-744-7	Exhaust Pipe	1
6	063-286-7	Cylinder	1	37	973-110-0	Roll Pin (3 X 10)	1	64	071-853-1	Rear Packing	1
7	063-287-1	Rotor	1	38	973-212-0	Roll Pin (4 X 12)	2	65	945-963-0	Hexagon R. H. Bolt (M6 X 16)	4
8	063-288-1	Blade	6	39	973-340-0	Roll Pin (6 X 10)	2	66	945-218-0	Allen Head Bolt (M6 X 18)	4
9	063-289-7	Front Plate	1	40	976-032-0	Spring (3.6 X 13)	1	67	970-331-0	Pin(H) (4 X 31)	1
10	063-028-7	Hammer Casing	1	41	977-220-0	Cone Spring (9 X 10 X 25)	1	68	973-120-0	Roll Pin (3 X 20)	2
11	063-328-1	Anvil Bushing	1	42	980-008-0	Round Head Notch (2.4)	1	69	990-009-0	O-Ring (P10A)	1
12	076-310-1	Anvil Rear Spacer	1	43	981-003-0	Ball (5/32)	1	<b>ACCESSORIES</b>			
13	063-311-1	Hammer Cam	1	44	981-210-0	Ball (3/8) Black	1	71	932-110-0	Air Regulator (U1/4)	1
14	063-312-1	Hammer Cage	1	45	982-404-0	Ball Bearing (EE-5)	2	75	939-105-0	Allen Wrench (4 mm)	1
15	063-313-1	Hammer	2	47	993-035-0	Felt Ring (18 X 23 X 2)	1	<b>Parts for UW-13SK</b>			
16	063-317-1	Hammer Pin	2	48	063-012-1	Head Cover	1	49	063-025-3	Handle	1
17	063-318-1	Pilot Pin	1	50	018-107-2	Throttle Trigger	1	51	063-210-1	Reverse Valve	1
18	063-319-1	Anvil (O)	1	52	063-853-1	Rear Packing	1	53	945-218-0	Allen Head Bolt (M6 X 18)	1
19	161-319-1	Anvil (P)	1	53	945-218-0	Allen Head Bolt (M6 X 18)	1	56	970-332-0	Pin (H) (4 X 32)	1
20	153-800-2	Socket Retainer Pin	1	54	970-332-0	Pin (H) (4 X 32)	1	57	973-116-0	Roll Pin (3 X 16)	2
21	976-034-0	Spring (3.6 X 11)	1	55	973-116-0	Roll Pin (3 X 16)	2	58	990-208-0	O-Ring (JW1516-8)	1
22	971-302-0	Pin (4 X 2)	1	<b>Parts for UW-13SRK</b>				59	071-012-6	Head Cover	1
23	891-023-1	Anvil (WR)	1								
24	891-024-1	Extended Anvil (WR)	1								
25	891-004-1	Snap Ring	1								
26	990-205-0	O-Ring (JW1516-5)	1								
27	063-326-1	Hammer Cage Bushing	1								
28	063-327-1	Anvil Front Spacer	1								
29	063-857-1	Hammer Casing Packing	1								



10000 SE Pine Street  
Portland, OR 97216  
503-254-6600  
FAX 503-255-2615

When ordering spare parts, please specify tool type, part number and description.

AIMCO also offers a complete line of standard & special adapters, bits, sockets and extensions.