

UW-131EK & UW-131ERK IMPACT WRENCHES

EXPLODED VIEW

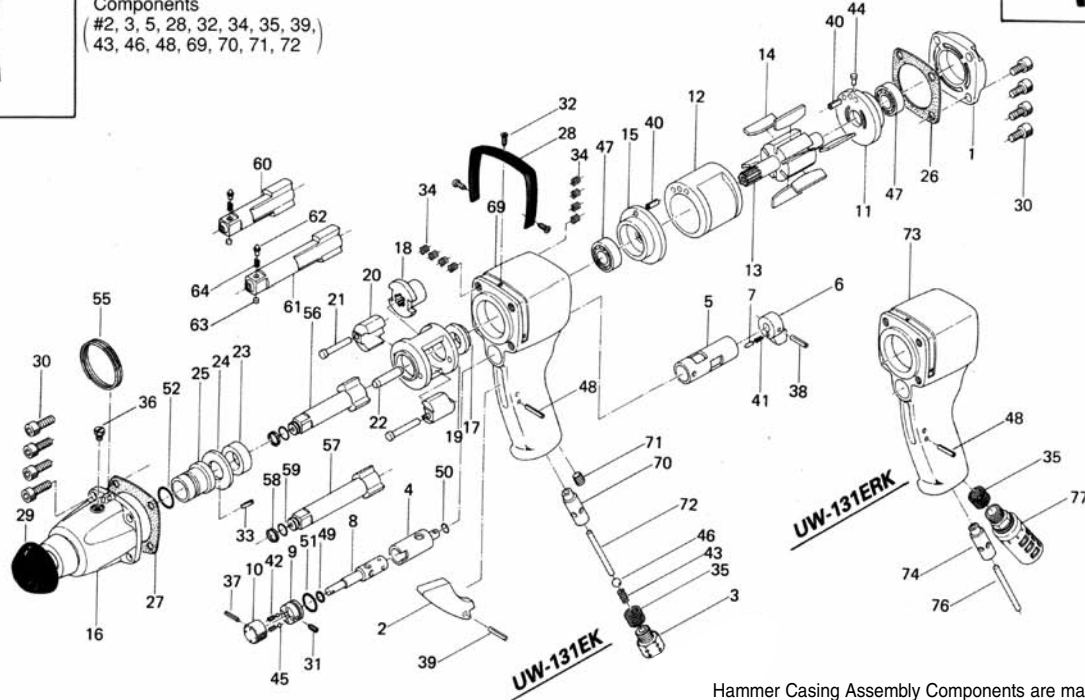


Hammer Casing Assembly
Code No.071-007-7
Components
(#16, 25, 29, 33, 36, 52)



UW-131EK Handle Assembly
Code No.071-984-8
Components
(#2, 3, 5, 28, 32, 34, 35, 39, 43, 46, 48, 69, 70, 71, 72)

UW-131ERK Handle Assembly
Code No.067-984-1
Components
(#2, 3, 5, 28, 32, 34, 35, 39, 43, 46, 48, 73, 74, 76, 77)



Hammer Casing Assembly Components are marked with "●".
Handle Assembly Components for UW-131EK are marked with "X▲".
Handle Assembly Components for UW-131ERK are marked with "▲".
Parts marked with "*" are at User's option.

PARTS LIST — FOR REFERENCE ONLY

Index Number	Part Number	Description	Qty.	Index Number	Part Number	Description	Qty.	Index Number	Part Number	Description	Qty.
COMMON PARTS											
1	071-012-1	Head Cover	1	27	071-857-1	Front Packing	1	52	993-035-0	Felt Ring (18x23x2)	● 1
2	085-107-1	Throttle Trigger	X▲ 1	28	071-840-1	Handle Protector	X▲ 1	55	004-790-1	Suspension Ring	1
3	185-091-7	Air Inlet Bushing	X▲ 1	29	071-841-1	Hammer Casing Protector	● 1	-----			
4	054-210-1	Reverse Valve	1	30	945-216-0	Allen Head Bolt (M6x16)	8	56	891-023-1	Anvil (WR)	* 1
5	054-211-1	Reverse Valve Bushing	X▲ 1	31	952-21 2-0	Allen Head Dog Point Screw (M5x12)	1	57	891-024-1	Extended Anvil (WR)	* 1
6	054-212-1	Reverse Lever	1	32	963-350-0	Tapping Screw (M4x8)	X▲ 3	58	891-004-1	Snap Ring	1
7	054-220-1	Reverse Lever Notch	1	33	973-110-0	Roll Pin (3x10)	● 1	59	990-205-0	O-Ring (JW1516-5)	1
8	054-240-1	Regulator Valve	1	34	965-021-0	Heli-Sert (M6x 1.5D)	X▲ 8	60	161-319-1	Anvil (P)	* 1
9	054-241-1	Regulator Valve Bushing	1	35	965-073-0	Heli-Sert (UNF5/8) (N6)	X▲ 1	61	852-017-1	Extended Anvil (P)	* 1
10	054-242-1	Regulator Dial	1	36	945-962-0	Hexagon Round Head Bolt (M6x6)	● 1	62	153-800-2	Socket Retainer Pin (Flat)	1
11	063-285-7	Rear Plate	1	37	973-016-0	Roll Pin (2x16)	1	63	971-302-0	Pin (4x2)	1
12	063-286-7	Cylinder	1	38	973-020-0	Roll Pin (2x20)	1	64	976-034-0	Spring (3.6x11)	1
13	063-287-1	Rotor	1	39	973-118-0	Roll Pin (3x18)	X▲ 1	PARTS FOR UW-131EK			
14	063-288-1	Blade	6	40	973-212-0	Roll Pin (4x12)	2	69	071-025-8	Handle	X 1
15	063-289-7	Front Plate	1	41	976-018-0	Spring (2.8x8.5)	1	70	054-102-1	Valve Bushing	X 1
16	071-028-1	Hammer Gasing	● 1	42	976-066-0	Spring (4.6x9)	2	71	966-100-0	Allen Head Plug (1/8)	X 1
17	076-310-1	Anvil Rear Spacer	1	43	977-220-0	Cone Spring (9x10x25)	X▲ 1	72	970-339-0	Pin (H) (4x39)	X 1
18	063-311-1	Hammer Cam	1	44	980-008-0	Round Head Notch (2.4)	1	PARTS FOR UW-131ERK			
19	063-312-1	Hammer Cage	1	45	981-004-0	Ball (3/16)	2	73	067-025-2	Handle	▲ 1
20	063-313-1	Hammer	2	46	981-210-0	Ball (3/8)	X▲ 1	74	063-102-1	Valve Bushing	▲ 1
21	063-317-1	Hammer Pin	2	47	982-404-0	Ball Bearing (EE-5)	2	76	970-333-0	Pin (H) (4x33)	▲ 1
22	063-318-1	Pilot Pin	1	48	973-120-0	Roll Pin (3x20)	X▲ 1	77	031-885-7	Silencer	▲ 1
23	063-326-1	Hammer Cage Bushing	1	49	990-004-0	O-Ring (P-6)	1				
24	063-327-1	Anvil Front Spacer	1	50	990-006-0	O-Ring (P-8)	1				
25	063-328-1	Anvil Bushing	● 1	51	990-009-0	O-Ring (P10A)	1				
26	071-853-1	Rear Packing	1								



10000 SE Pine Street
Portland, OR 97216
503-254-6600
FAX 503-255-2615

When ordering spare parts, please specify
tool type, part number and description.

AIMCO also offers a complete line of standard & special
adapters, bits, sockets and extensions.