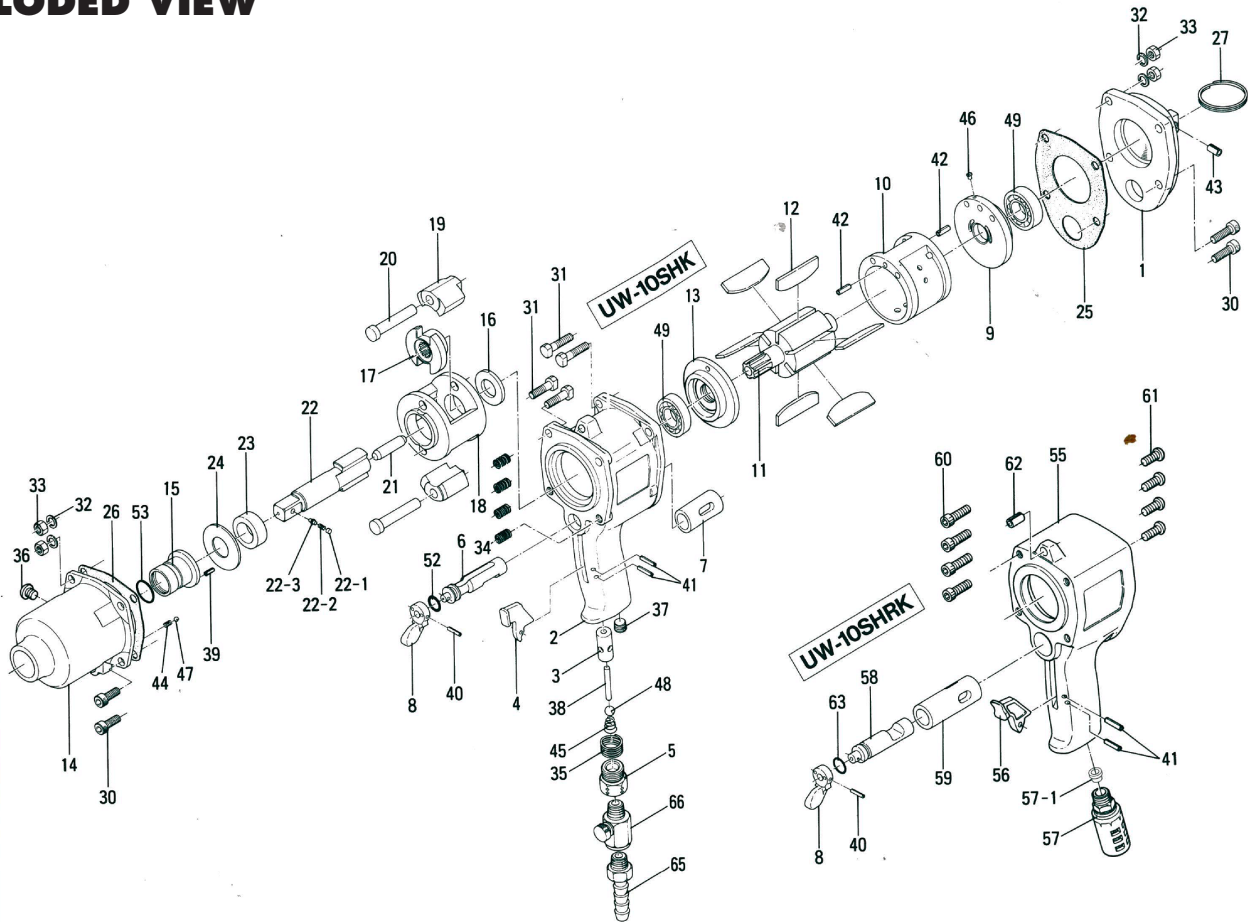


UW-1 OSHK, -1 OSHRK IMPACT WRENCHES

EXPLODED VIEW



PARTS LIST — FOR REFERENCE ONLY

Index Number	Part Number	Description	Qty.	Index Number	Part Number	Description	Qty.	Index Number	Part Number	Description	Qty.
1	050-012-1	Head Cover	1	22-3	971-302-0	Pin (4 x 2)	1	48	981-210-0	Ball (3/8) (Black)	1
2	050-025-2	Handle	1	23	050-326-1	Hammer Cage Bushing	1	49	982-403-0	Ball Bearing (EE4)	2
3	063-102-1	Valve Bushing	1	24	050-327-1	Anvil Front Spacer	1	52	990-210-0	O-Ring (JW1516-10)	1
4	018-107-2	Valve Lever	1	25	050-853-1	Head Cover Packing	1	53	993-034-0	Felt-Ring (16 x 21 x 2)	1
5	185-091-7	Air Inlet Bushing	1	26	050-857-1	Hammer Casing Packing	1	54	050-319-1	Anvil (0)	1
6	050-210-3	Reverse Valve	1	27	004-790-2	Suspension Ring	1	PARTS FOR UW-1 OSHRK			
7	050-211-2	Reverse Valve Bushing	1	30	945-216-0	Allen Head Bolt (M6 x 16)	4	55	050-025-5	Handle	1
8	041-212-2	Reverse Lever	1	31	947-224-0	Half Head Bolt (M6 x 24)	4	56	026-107-7	Valve Lever	1
9	050-285-7	Rear Plate	1	32	961-013-0	Flat Washer (6 mm)	4	57	031-885-7	Silencer Assembly	1
10	050-286-7	Cylinder	1	33	960-040-0	Hexagon Nut (1-M6)	4	57-1	050-744-7	Silencer Bushing	1
11	050-287-1	Rotor	1	34	965-021-0	Heli-vert (M6 x 1.50)	4	58	050-210-7	Reverse Valve	1
12	050-288-1	Blade	6	35	965-073-0	Heli-vert (UNF5/8N6)	1	59	050-211-6	Reverse Valve Bushing	1
13	050-289-7	Front Plate	1	36	945-962-0	Hexagon Head Bolt (M6 x 6)	1	60	945-218-0	Allen Head Bolt (M6 x 18)	4
14	050-028-9	Hammer Casing	1	37	966-100-0	Allen Head Plug (1/8)	1	61	945-964-0	Hexagon Head Bolt (M6 x 18)	1
15	041-328-1	Anvil Bushing	1	38	970-332-0	Pin (H) (4 x 32)	1	62	973-340-0	Roll Pin (6 x 10)	1
16	050-310-1	Anvil Rear Spacer	1	39	973-006-0	Roll Pin (2 x 6)	1	63	990-009-0	O-Ring (P10A)	1
17	050-311-1	Hammer Cam	1	40	973-014-0	Roll Pin (2 x 14)	1	ACCESSORIES			
18	050-312-1	Hammer Cage	1	41	973-116-0	Roll Pin (3 x 16)	2	65	940-114-0	Air Hose Nipple (NPT 1/4 x 3/8)	1
19	050-313-1	Hammer	2	42	973-212-0	Roll Pin (4 x 12)	2	66	932-110-0	Air Regulator (U 1/4)	1
20	050-317-1	Hammer Pin	2	43	973-340-0	Roll Pin (6 x 10)	1				
21	050-318-1	Pilot Pin	1	44	976-032-0	Spring (3.6 x 13 x 0.5)	1				
22-1	153-800-2	Socket Retainer Pin (Flat)	1	45	977-220-0	Cone Spring (9 x 10 x 25)	1				
22-2	976-034-0	Spring (3.6 x 11 x 0.5)	1	46	980-008-0	Round Head Notch (2.4)	1				
				47	981-003-0	Ball (5/32)	1				

FOOTNOTES



10000 SE PINE
PORTLAND, OR 97216
503-254-6600
FAX 503-255-2615

When ordering spare parts, please specify tool type, part number, and description.