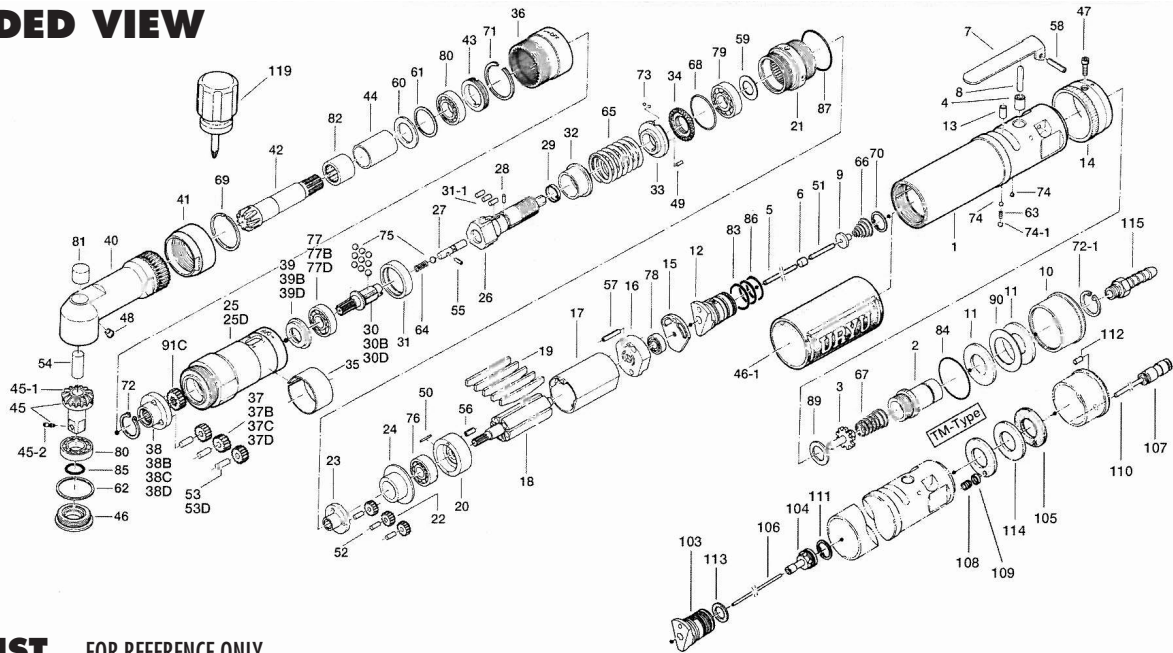


# UAN-611R-30C, -40C, -50C, -60C

## TORQUE CONTROL ANGLE NUTRUNNERS

### EXPLODED VIEW



### PARTS LIST — FOR REFERENCE ONLY

Index Number	Part Number	Description	Qty.	Index Number	Part Number	Description	Qty.	Index Number	Part Number	Description	Qty.
1	268-025-7	Casing	1	50	971-110-0	Pin (2 x 10)	1	<b>Parts for UAN-611R-40C</b>			
2	259-091-6	Air Inlet Bushing	1	51	970-104-0	Pin (H) (2 x 21.5)	1	25	268-369-6	Clutch Casing	1
3	259-100-6	Valve	1	52	972-089-0	Roller Pin (3 x 8)	3	30B	268-346-7	Cam	1
4	553-103-1	Valve Rod Bushing	1	54	972-320-0	Roller Pin (8 x 20)	1	37B	444-471-4	Second Planet Gear	3
5	268-104-6	Valve Rod	1	55	969-470-0	Pin (E) (2 x 8)	1	38B	268-485-7	Second Gear Cage	1
6	444-106-8	Valve Rod Cap	1	56	973-108-0	Roll Pin (3 x 8)	1	39B	268-487-7	Second Gear Spacer	1
7	196-107-7	Valve Lever	1	57	973-116-0	Roll Pin (3 x 16)	1	53	972-111-0	Roll Pin (4 x 11)	3
8	259-114-0	Valve Spindle	1	58	973-124-0	Roll Pin (3 x 24)	1	77B	982-902-0	Ball Bearing (6901)	1
9	259-254-6	Shut-Off Valve	1	59	975-106-0	Spacer (18.5 x 11 x 1)	1	<b>Parts for UAN-611R-50C</b>			
10	259-780-6	Exhaust Stack	1	60	975-166-0	Spacer (24 x 16 x 1.5)	1	25	268-369-6	Clutch Casing	1
11	259-835-6	Filter	2	61	975-806-0	Adjusting Spacer (24 x 20 x t)	1	30	268-346-6	Cam	1
12	268-210-7	Reverse Valve	1	62	975-807-0	Adjusting Spacer (28 x 25 x t)	1	37C	499-470-0	Second Planet Gear	3
13	268-211-6	Reverse Valve Bushing	1	63	976-022-0	Spring (3 x 5.5 x 0.4)	1	38C	259-485-1	Second Gear Cage	1
14	268-212-6	Reverse Lever	1	64	976-058-0	Spring (4.5 x 11 x 0.4)	1	39	268-487-6	Second Gear Spacer	1
15	268-291-7	Rear Plate Spacer	1	65	976-596-0	Spring (25.2 x 32.5 x 3.0)	1	53	972-111-0	Roll Pin (4 x 11)	3
16	259-285-0	Rear Plate	1	66	977-072-0	Cone Spring (5.5 x 15 x 14)	1	72	979-358-0	Inner Snap Ring (17)	1
17	259-286-0	Cylinder	1	67	977-275-0	Cone Spring (11 x 14 x 32)	1	77	982-016-0	Ball Bearing (609)	1
18	259-287-0	Rotor	1	68	978-278-0	Snap Ring (28 x 1)	1	91C	499-445-0	Middle Gear	1
19	268-288-6	Blade (PC)	5	69	978-308-0	Snap Ring (30 x 1.6)	1	<b>Parts for UAN-611R-60C</b>			
20	496-289-1	Front Plate	1	70	979-009-0	Inner Snap Ring (16)	1	25D	268-369-6	Clutch Casing	1
21	463-029-8	Gear Casing	1	71	979-206-0	Inner Snap Ring (28)	1	30D	268-346-9	Cam	1
22	472-470-3	Planet Gear	3	72-1	979-358-0	Inner Snap Ring (ISTW-17)	1	37D	268-471-9	Second Planet Gear	3
23	472-480-3	Gear Cage	1	73	981-001-0	Ball (3/32)	2	38D	268-485-9	Second Gear Cage	1
24	472-807-3	Spacer	1	74	981-002-0	Ball (1/8)	2	39D	268-487-9	Second Gear Spacer	1
26	268-654-6	Cam Guide	1	74-1	981-003-0	Ball (5/32)	1	53D	972-107-0	Roll Pin (3.5 x 21.8)	3
27	268-318-6	Pilot Pin	1	75	981-004-0	Ball (3/16)	10	72	979-358-0	Inner Snap Ring (17)	1
28	471-764-7	Notch Pin	1	76	982-015-0	Ball Bearing (608)	1	77D	982-903-0	Ball Bearing (6902)	1
29	471-670-7	Band	1	78	982-033-0	Ball Bearing (696)	1	<b>Parts for UAN-611R (TM-Type)</b>			
31	259-375-0	Cam Ring	1	79	982-100-0	Ball Bearing (6000)	1	103	895-070-1	Reverse Valve	1
31-1	268-651-6	Cam Roller	1	80	982-902-0	Ball Bearing (6901)	2	104	895-071-1	Shut-off Valve	1
32	268-164-7	Spring Setter	1	81	988-480-0	Needle Bearing (BK0810)	1	105	895-072-1	Filter	1
33	895-064-1	Stopper	1	82	988-393-0	Needle Bearing (NF-1416)	1	106	895-073-1	Valve Rod	1
34	472-257-8	Regulator Screw	1	83	990-590-0	O-Ring (17 x 1)	2	107	933-250-0	One-touch Connector	1
35	259-670-0	Band (B)	1	84	990-603-0	O-Ring (28.5 x 1.3)	1	108	933-500-0	Chuckling Ring	1
36	259-466-0	Internal Gear	1	85	990-910-0	O-Ring (SNS-12.5)	1	109	933-501-0	Chuckling Guide	1
40	268-441-6	Angle Casing	1	86	990-914-0	O-Ring (SNS-16)	1	110	935-350-0	Polyurethane Hose	1
41	259-081-0	Locking Nut	1	87	990-924-0	O-Ring (SNS-30)	1	111	979-008-0	Inner Snap Ring (15)	1
42	268-420-6	Driving Gear	1	89	996-433-0	Urethane Packing (19 x 12 x 1)	1	112	971-202-0	Pin (3 x 2)	1
43	259-426-0	Driving Gear Screw	1	<b>Parts for UAN-611R-30C</b>				113	996-422-0	Packing (16 x 10 x 1)	1
44	259-567-2	Bushing	1	25	268-369-6	Clutch Casing	1	114	996-460-0	Packing UAN-611 R-30C (TM) only	1
45	895-069-1	Driven Gear Assy (P)	1	30	268-346-6	Cam	1	<b>ACCESSORIES</b>			
45-1	268-430-6	Driven Gear (O)	1	37	499-470-7	Second Planet Gear	3	116	935-225-0	Silencer Hose 40 x 38 x 1000	1
45-2	891-300-1	Socket Pin Assembly	1	38	259-485-0	Second Gear Cage	1	117	935-250-0	Mark Tube 4 x 3.2 x 70	1
46	268-488-6	Angle Casing Cover	1	39	268-487-6	Second Gear Spacer	1	118	931-150-0	Insu-Lock	2
46-1	268-840-6	Handle Protector	1	53	972-111-0	Roll Pin (4 x 11)	3	119	939-402-0	Manual Driver No.2	1
47	945-001-0	Allen Head Bolt (M3 x 10)	1	77	982-016-0	Ball Bearing (609)	1	<b>FOOTNOTES</b>			
48	968-130-0	Grease Cup (3/16)	1	90	996-459-0	Packing (32 x 22 x 0.5)	1	● = Items in Pulse Repair Kit UAN-600R-RK			
49	970-092-0	Pin (H) (2 x 5.5)	1								



10000 SE PINE  
PORTLAND, OR 97216  
503-254-6600  
FAX 503-255-2615

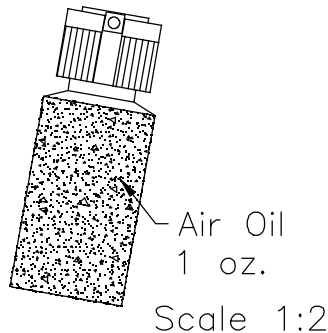
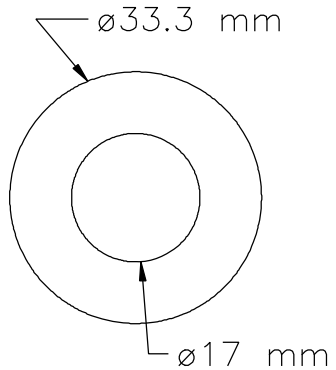
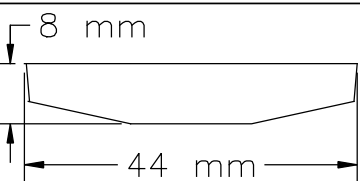
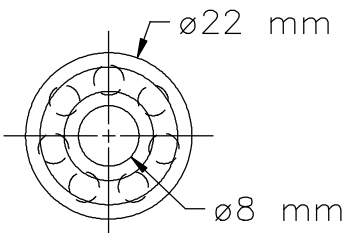
When ordering spare parts, please specify  
tool type, part number, and description.

### FOOTNOTES

● = Items in Pulse Repair Kit UAN-600R-RK

# UAN-611R-RK

(Kit contains following parts)

#/#	Bin Location	Part Number	QTY	Description	Material	Drawing / Scketch
1	SEWALL	AM-OIL	1	Oil Air Motor 1 oz. fluid	Plastic Container	
2	PA3B	259-835-6	2	Filter 17x33.7x3.1	Sendered Plastic	
3	PA2B	268-288-6	5	Blade(PC) 8x44x1.36	Phenolic-Fiber	
4	PA2H	982-015-0	1	Ball Bearing(608Z) 8x22x7	Bearing Steel	
5	PA2H	982-033-0	1	Ball Bearing(696) 6x15x5	Bearing Steel	