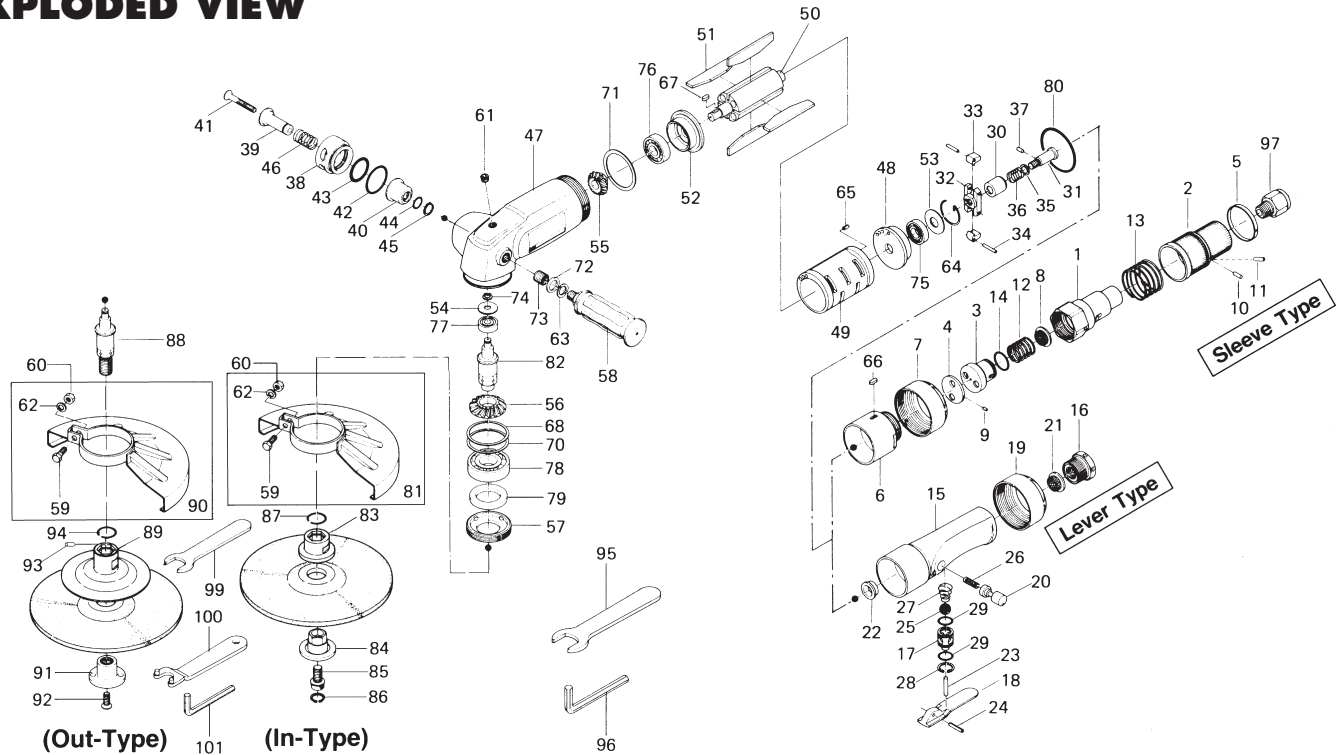


# UAG-90 SERIES AIR GRINDER

## EXPLODED VIEW



## PARTS LIST — FOR REFERENCE ONLY

Index Number	Part Number	Description	Qty.	Index Number	Part Number	Description	Qty.	Index Number	Part Number	Description	Qty.
<b>593-003-4 HANDLE ASSEMBLY (SLEEVE TYPE)</b>				<b>593-885-6 SILENCER ASSEMBLY</b>				<b>PARTS FOR IN-TYPE WHEEL SETTING</b>			
1	591-014-6	Valve Body	1	35	975-728-0	Adjusting Spacer (13 x 10 x T)	1	70	975-881-0	Adjusting Spacer (47 x 43 x T)	1
2	591-015-6	Valve Handle	1	36	976-334-0	Spring (13.3 x 21.5) (1.6)	1	71	975-883-0	Adjusting Spacer (48 x 38 x T)	1
3	591-100-6	Valve	1	37	970-205-0	Pin (H) (3 x 7)	1	72	975-095-0	Spacer (18 x 13 x 1)	1
4	591-102-6	Valve Seat	1					73	965-058-0	Heli-Sert (M12 x 1)	1
5	591-670-6	Band	1	38	591-780-7	Exhaust Stack	1	74	979-104-0	Outer Snap Ring (7)	1
6	593-729-6	Handle Body Connector	1	39	591-787-7	Exhaust Cover Retainer	1	75	982-141-0	Ball Bearing (6001Z)	1
7	593-736-4	Valve Body Nut	1	40	591-782-6	Exhaust Cover	1	76	982-241-0	Ball Bearing (6201Z)	1
8	573-835-9	Filter	1	41	948-568-0	Allen Flush Head Bolt (M6 x 45)	1	77	982-022-0	Ball Bearing (627)	1
9	970-204-0	Pin (H) (3 x 6)	1	42	990-927-0	O-Ring (SNS-34)	1	78	982-244-0	Ball Bearing (6204Z)	1
10	972-108-0	Roller Pin (4 x 8)	1	43	990-503-0	O-Ring (G-30)	1	79	993-040-0	Felt Ring (28 x 42 x 5)	1
11	973-008-0	Roll Pin (2 x 8)	1	44	990-911-0	O-Ring (SNS-12)	1	80	990-942-0	O-Ring (SNS-56)	1
12	976-533-0	Spring (23 x 20) (1.4)	1	45	979-109-0	Outer Snap Ring (12)	1	<b>PARTS FOR OUT-TYPE WHEEL SETTING</b>			
13	976-736-0	Spring (40.5 x 25) (2.0)	1	46	976-358-0	Spring (14.4 x 26)	1	81	593-770-6	Wheel Guard	1
14	990-919-0	O-Ring (SNS-22)	1					82	591-390-6	Wheel Spindle (IN)	1
<b>593-003-3 HANDLE ASSEMBLY (LEVER TYPE)</b>				22	591-171-7	Governor Valve Bushing	1	83	591-393-6	Wheel Holder Flange	1
15	593-014-3	Valve Body	1	47	593-025-4	Casing	1	84	591-394-6	Wheel Nut Flange	1
16	519-091-6	Air Inlet Bushing	1	48	593-285-3	Cylinder Rear Plate	1	85	945-993-0	Hexagon Socket Flange Head Bolt (M18 x 18)	1
17	591-101-7	Valve Bushing	1	49	593-286-3	Cylinder	1	86	979-317-0	Inner Snap Ring (IRWT-17)	1
18	593-107-3	Valve Lever	1	50	593-287-3	Rotor	1	87	978-209-0	Snap Ring (21 x 1.2)	1
19	593-736-4	Valve Body Nut	1	51	593-288-3	Blade	4	<b>PARTS FOR ACCESSORIES</b>			
20	585-765-1	Safety Pin	1	52	593-289-4	Front Plate	1	96	939-006-0	Allen Wrench (8 mm)	1
21	573-835-9	Filter	1	53	591-291-6	Cylinder Rear Plate Spacer	1	97	942-123-0	Connecting Screw (3/8 x NPT3/8)	1
23	970-323-0	Pin (H) (4 x 23)	1	54	537-391-0	Wheel Spindle Rear Cover	1	99	936-524-0	Spanner (24)	1
24	973-174-0	Roll Pin (3.5 x 24)	1	55	593-420-3	Driving Gear	1	100	938-057-0	Spanner (6 x 30 x 170)	1
25	981-214-0	Ball (1/2)	1	56	593-430-3	Driven Gear	1	101	939-105-0	Allen Wrench (4mm)	1
26	976-114-0	Spring (6 x 18) (0.55)	1	57	591-065-6	Casing Front Cover	1				
27	977-260-0	Cone Spring (10 x 16 x 16)	1	58	566-720-2	Dead Handle	1				
28	979-011-0	Inner Snap Ring (18)	1	59	946-904-0	Hexagon Head Bolt (M6 x 22)	1				
29	990-913-0	O-Ring (SNS-15)	2	60	960-041-0	Hexagon Head Nut (1-M6)	1				
<b>593-893-3 GOVERNOR CAGE ASSEMBLY</b>				61	966-100-0	Allen Head Plug (1/8)	1				
30	593-170-3	Governor Valve	1	62	962-009-0	Spring Washer (2-6S)	1				
31	593-176-4	Governor Spindle	1	63	962-013-0	Spring Washer (2-12S)	1				
32	591-181-7	Governor Cage	1	64	978-338-0	Snap Ring (34 x 1.2)	1				
33	593-183-3	Governor Weight	2	65	973-158-0	Roll Pin (3.5 x 8)	1				
34	973-120-0	Roll Pin (3 x 20)	2	66	974-001-0	Key (3 x 2.5 x 11)	1				
				67	974-008-0	Key (3 x 8)	1				
				68	975-376-0	Spacer (47 x 43 x 1)	1				



10000 SE PINE  
PORTLAND, OR 97216  
503-254-6600  
FAX 503-255-2615

When ordering spare parts, please specify  
tool type, part number, and description.

### FOOTNOTES