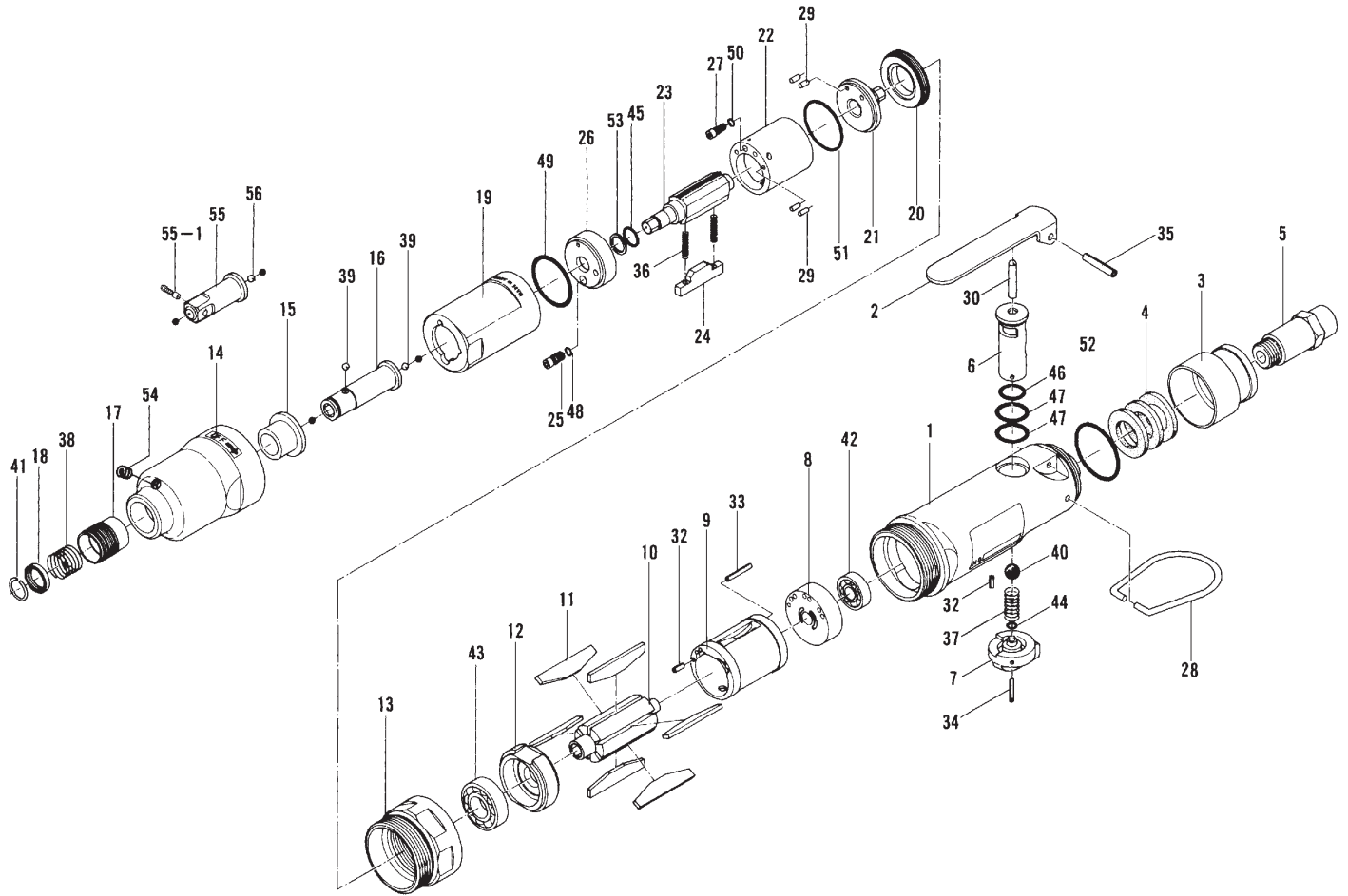


# U-410SD & U-410S U-WRENCH

## EXPLODED VIEW



## PARTS LIST — FOR REFERENCE ONLY

| Index Number | Part Number | Description         | Qty. | Index Number | Part Number | Description            | Qty. | Index Number       | Part Number | Description                      | Qty. |
|--------------|-------------|---------------------|------|--------------|-------------|------------------------|------|--------------------|-------------|----------------------------------|------|
| 1            | 191-025-8   | Handle              | 1    | 23           | 191-319-6   | Anvil                  | 1    | 45                 | 990-951-0   | O-Ring (P8) (NOK)                | 1    |
| 2            | 500-107-1   | Valve Lever         | 1    | 24           | 198-440-1   | Driving Blade          | 1    | 46                 | 990-007-0   | O-Ring (P9)                      | 1    |
| 3            | 197-782-6   | Exhaust Cover       | 1    | 25           | 191-970-6   | Relief Valve           | 1    | 47                 | 990-014-0   | O-Ring (P14)                     | 2    |
| 4            | 161-835-3   | Filter              | 3    | 26           | 191-904-6   | Front Liner Plate      | 1    | 48                 | 990-320-0   | O-Ring (ARP-568-003)             | 1    |
| 5            | 197-091-7   | Air Inlet Bushing   | 1    | 27           | 194-742-0   | Oil Plug               | 1    | 49                 | 990-331-0   | O-Ring (JW1530-21)               | 1    |
| 6            | 418-210-1   | Reverse Valve       | 1    | 28           | 010-790-1   | Suspension Ring        | 1    | 50                 | 990-900-0   | O-Ring (SNS2)                    | 1    |
| 7            | 418-212-1   | Reverse Lever       | 1    | 29           | 970-091-0   | Pin (H) (2 x 4.5)      | 4    | 51                 | 990-919-0   | O-Ring (SNS22)                   | 1    |
| 8            | 197-285-6   | Rear Plate          | 1    | 30           | 970-322-0   | Pin (H) (4 x 22)       | 1    | 52                 | 990-922-0   | O-Ring (SNS28)                   | 1    |
| 9            | 476-286-3   | Cylinder            | 1    | 31           | 969-449-0   | Pin (G) (3 x 6)        | 1    | 53                 | 944-007-0   | Supporter Ring (7.85 x 11.1 x 1) | 1    |
| 10           | 191-287-6   | Rotor               | 1    | 32           | 973-006-0   | Roll Pin (2 x 6)       | 2    | 54                 | 966-110-0   | Allen Head Plug (PT 1/16)        | 1    |
| 11           | 197-288-6   | Blade               | 6    | 33           | 973-016-0   | Roll Pin (2 x 16)      | 1    | 55                 | 891-343-1   | SQ Drive Anvil                   | 1    |
| 12           | 197-289-6   | Front Plate         | 1    | 34           | 973-022-0   | Roll Pin (2 x 22)      | 1    | 55-1               | 891-300-1   | Socket Retainer Pin Assembly     | 1    |
| 13           | 197-035-6   | Handle Connector    | 1    | 35           | 973-124-0   | Roll Pin (3 x 24)      | 1    | 56                 | 981-002-0   | Ball (1/8)                       | 1    |
| 14           | 191-439-7   | Front Casing        | 1    | 36           | 976-216-0   | Spring (2.8 x 15)      | 2    | <b>ACCESSORIES</b> |             |                                  |      |
| 15           | 190-328-6   | Anvil Bushing       | 1    | 37           | 976-151-0   | Spring (7 x 16)        | 1    | 59                 | 939-091-0   | Allen Wrench (1.5mm) (80 x 20)   | 1    |
| 16           | 197-350-0   | Driver Anvil        | 1    | 38           | 976-327-0   | Spring (13.5 x 11)     | 1    | 60                 | 939-105-0   | Allen Wrench (4mm)               | 1    |
| 17           | 011-351-1   | Bit Sleeve          | 1    | 39           | 981-002-0   | Ball (1/8)             | 2    |                    |             |                                  |      |
| 18           | 011-352-1   | Bit Spacer          | 1    | 40           | 981-207-0   | Ball (9/32)            | 1    |                    |             |                                  |      |
| 19           | 191-905-6   | Liner Casing        | 1    | 41           | 978-117-0   | Snap Ring (11.7 x 1.0) | 1    |                    |             |                                  |      |
| 20           | 197-906-6   | Liner Casing Setter | 1    | 42           | 982-100-0   | Ball Bearing (6000)    | 1    |                    |             |                                  |      |
| 21           | 197-901-7   | Rear Liner Plate    | 1    | 43           | 982-401-0   | Ball Bearing (EE2)     | 1    |                    |             |                                  |      |
| 22           | 191-902-6   | Liner               | 1    | 44           | 990-003-0   | O-Ring (P5)            | 1    |                    |             |                                  |      |

### FOOTNOTES

▶ = Parts for U-410S

AIMCO also offers a complete line of standard & special adapters, bits, sockets and extensions.



# AIMCO

When ordering spare parts, please specify tool type, part number and description.

10000 SE PINE, PORTLAND, OR 97216  
503-254-6600 FAX 503-255-2615

REVISED 10/04