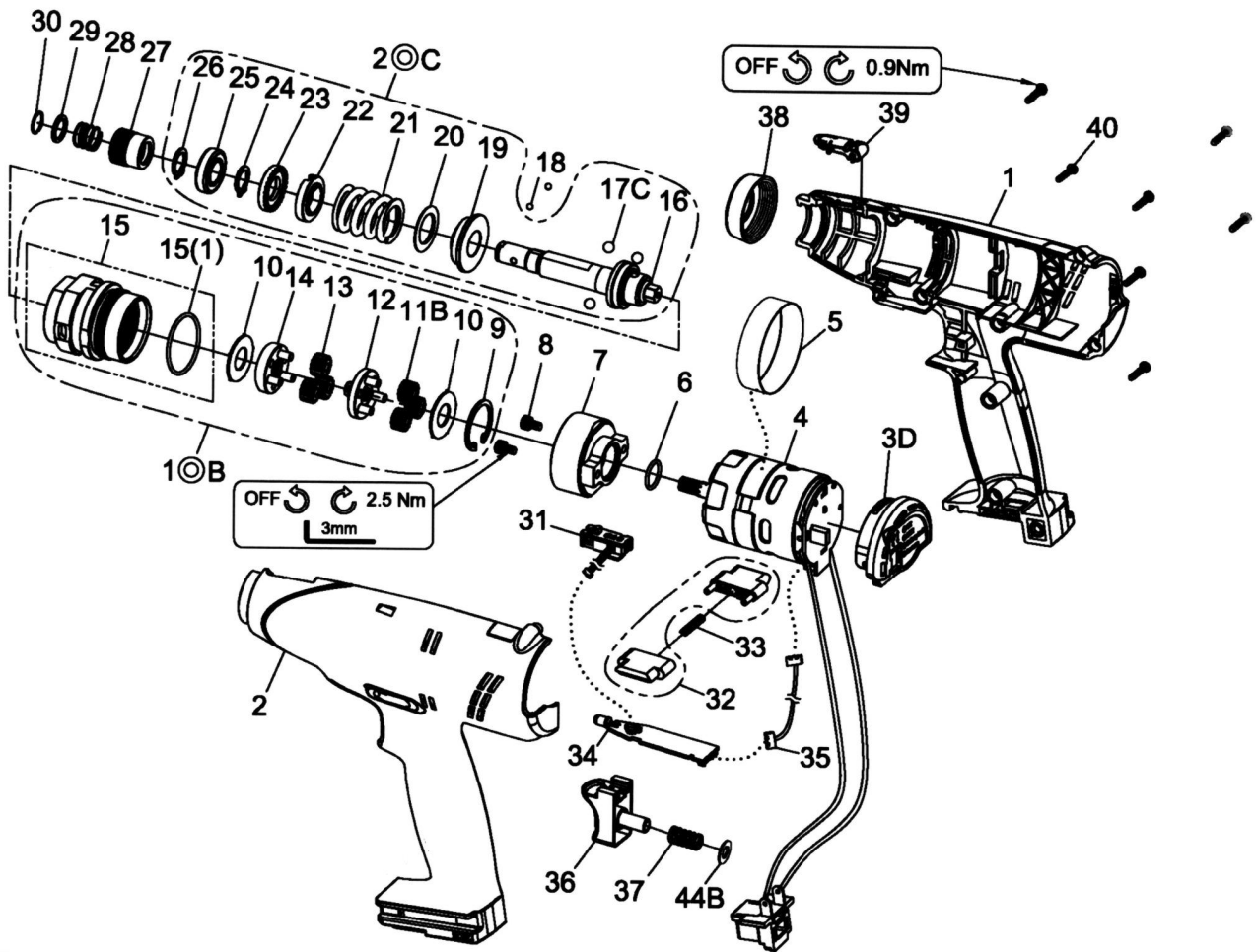


SPC-P2925Q 18V SHUT OFF SCREWDRIVER (LI-ION)

EXPLODED VIEW



PARTS LIST — FOR REFERENCE ONLY

Index Number	Part Number	Description	Qty.	Index Number	Part Number	Description	Qty.	Index Number	Part Number	Description	Qty.
1	C01SC#G2	Upper Housing	1	20C	B43SC180B9	Clutch Units	1	32	B09PW15-1#B1	F/R Valve (1 set x 2 pcs)	1
2	C02SC#G2	Lower Housing	1	16	B29SC180B	Clutch Assembly	1	33	048PW15-1	Spring	1
30	B10SC-3#W2	Cover	1	17C	000-3854	Steel Ball (7/32")	3	34	E76SC	PC Board	1
4	B83SC9	Brushless Motor with Driver	1	19	D39SC180B	Washer	1	35	E86SC	Connector Wire	1
5	C39PW15	Ring	1	20	D39SC180B-3	Washer	1	36	B09PW15#B1	Trigger Assembly	1
6	000-4110	O-Ring (16 x 1.5)	1	21	048SC108B-3	Spring (Yellow)	1	37	048PW15	Spring	1
7	D51SC108B	Motor Holder	1	22	D39SC108B-2	Adjust Washer	1	38	D54SC#BV	Lock Nut	1
8	000-0243	Screw (M4 x 6L)	2	23	D54SC108B	Adjust Nut	1	39	C10SC108B-2#B1	Cover	1
10B	B50SC180B9-2	Gear Box Units	1	24	000-3012	Snap Ring (STW-12)	1	40	000-0930	Screw (3 x 14L)	7
9	000-31261	Retaining Ring (IRTW-26)	1	25	000-2305	Ball Bearing (6901)	1	44B	C39PW15-3	Washer	1
10	D39SC180B-4	Washer	2	26	000-3011	Snap Ring (STW-11)	1				
11B	D49SC108B-9	Planet Gear	3	18	000-3833	Steel Ball (3)	2				
12	B51SC180B9-B	Gear Cage Assembly	1	27	D421D144A	Quick Change Holder	1				
13	D49SC108B-8	Planet Gear	3	28	0481D144A	Spring	1				
14	B51SC180B-5	Gear Plate Assembly	1	29	D391D144A	Hold Spacer	1				
15	B50SC180B-1	Gear Box Assembly	1	30	D441D144A	Anvil Collar	1				
	000-4117	O-Ring (24 x 1.5)	1	31	B75SC	Sensor Assembly	1				

FOOTNOTES



10000 SE PINE
PORTLAND, OR 97216
503-254-6600
FAX 503-255-2615

When ordering spare parts, please specify
tool type, part number, and description.