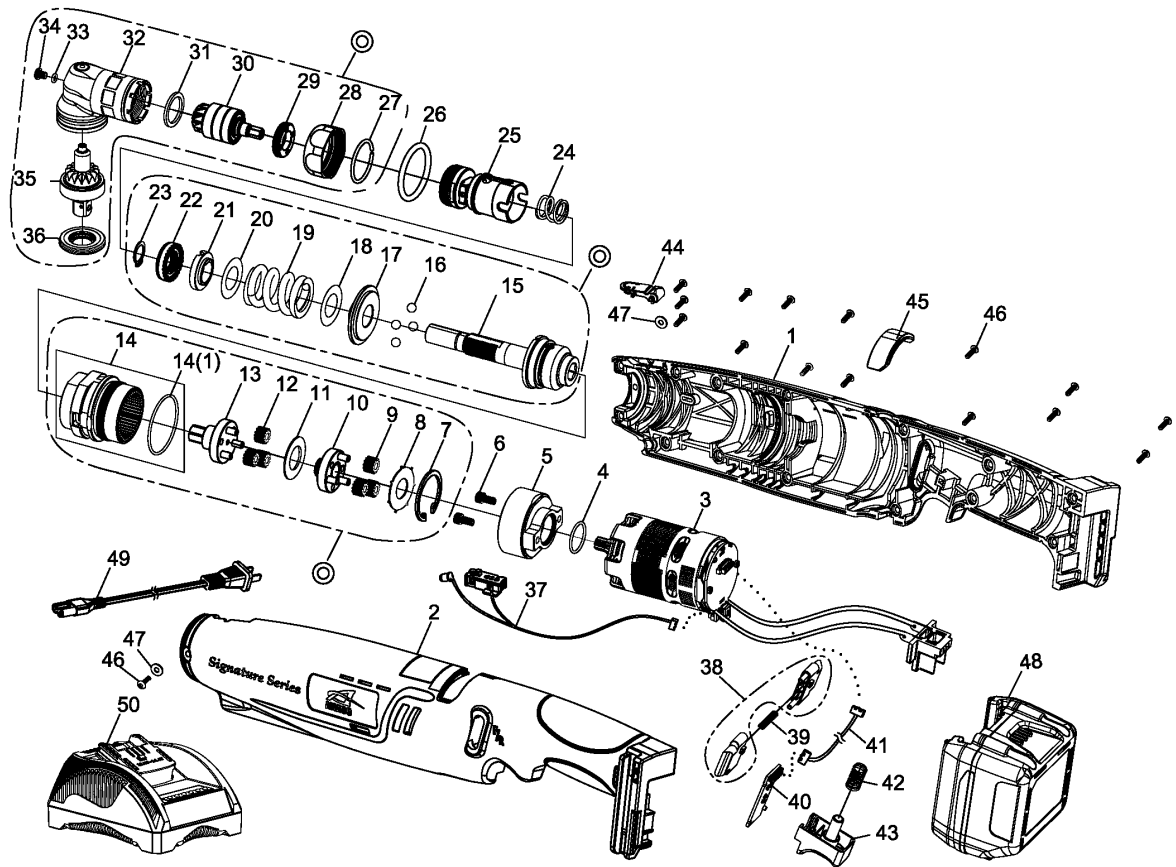


# SPC-A23038 18V CORDLESS SHUT OFF ANGLE WRENCH (LI-ION)

## EXPLODED VIEW



## PARTS LIST — FOR REFERENCE ONLY

Index Number	Part Number	Description	Qty.	Index Number	Part Number	Description	Qty.	Index Number	Part Number	Description	Qty.
1	C01WR#G2	Upper Housing	1	<b>GEAR BOX UNIT</b>				<b>ANGLE HOUSING UNIT</b>			
2	B02WR-AM#G2	Lower Housing	1	7	B50WR30	Gear Box Unit	1	27	B42WR3#BZ	Angle Housing Unit	1
3	B83WR30	Brushless Motor Assembly w/Driver	1	8	000-3128	Snap Ring (RTW-28)	1	28	D44WR108B	Collar	1
4	000-4110	O-Ring (1.6 × 1.5)	1	9	D39WR	Washer	1	29	D54WR108B#BZ	Lock Nut	1
5	D51SC108B	Motor Holder	1	10	D49WR-9	Planet Gear	3	30	D54WR108B-1B	Lock Nut	1
6	000-0242	Screw (M4 × 8L)	2	11	B51WR-5	Gear Cage Assembly	1	31	B49WR144B-8	Main Bevel Gear Assembly	1
24	D48WR	Spring	1	12	D39WR-8	Washer	1	32	D39WR144B	Washer	1
25	B51WR	Connecting Holder Assembly	1	13	D49WR-11	Planet Gear	3	33	B42WR-1#BZ	Angle Housing Assembly	1
26	000-4120B	Marking Ring (P32, Blue)	1	14	B51WR-8	Gear Plate Assembly	1	34	000-4114	O-Ring (3 × 1.5)	1
37	B75WR	Sensor & LED Assembly	1	14(1)	B50WR	Gear Box Assembly	1	35	000-1340	Screw (M4 × 5L)	1
38	B09PW15-1#B1	F/R Valve (1 set × 2 pcs)	1		000-4118	O-Ring (28 × 1.5)	1*	36	B49WR144B3-9	Bevel Gear Assembly	1
39	D48PW15-1	Spring	1	<b>CLUTCH UNIT</b>					D54WR108B-2B	Lock Nut	1
40	E76WR	PC Board	1	15	B43WR30	Clutch Unit	1				
41	E86SC	Connector Wire	1	16	B29WR	Clutch Assembly	1				
42	D48PW15	Spring	1	17	000-3853	Steel Ball (7/32")	4				
43	B09PW15#B1	Trigger Assembly	1	18	D39WR-2	Washer	1				
44	C10SC108B-2#B1	Cover	1	19	D39WR-7	Washer	1				
45	C10WR#W2	Cover	1	20	D48WR-4	Spring	1				
46	000-1430C	Screw (M3 × P0.5 × 10L)	16	21	D39WR-5	Washer (White)	1				
47	000-1531B	Washer (3.3 × 8)	2	22	D39SC108B-2	Adjust Washer	1				
48	BB180C-320	18V Li-Ion 2.0Ah Battery	1	23	D54WR	Adjust Nut	1				
49	E86B	Power Cord	1		000-3012	Snap Ring (STW-12)	1				
50	B84192B	Battery Charger	1								

AIMCO also offers a complete line of standard & special adapters, bits, sockets, and extensions

### FOOTNOTES



10000 SE PINE  
PORTLAND, OR 97216  
503-254-6600  
FAX 503-255-2615

When ordering spare parts, please specify tool type, part number, and description.