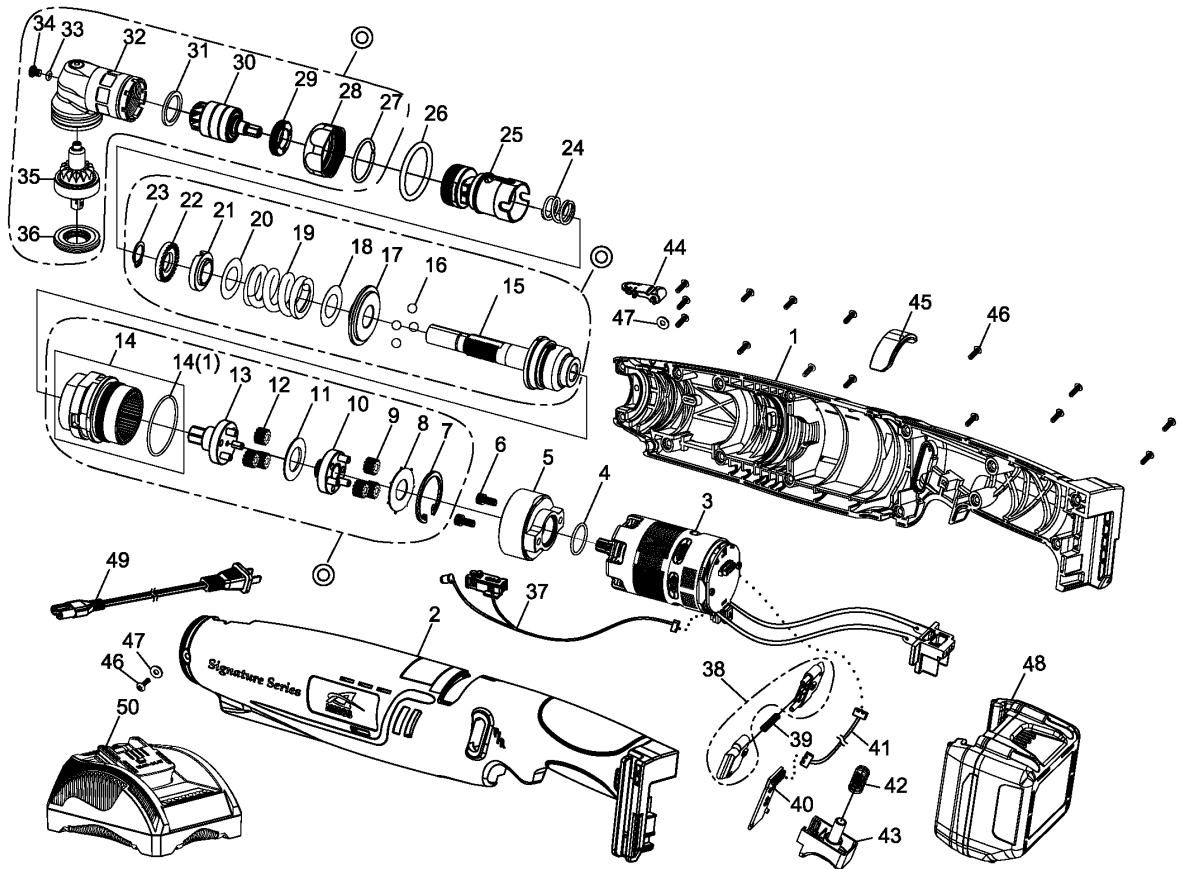


SPC-A21625 18V CORDLESS SHUT OFF ANGLE WRENCH (LI-ION)

EXPLODED VIEW



PARTS LIST — FOR REFERENCE ONLY

Index Number	Part Number	Description	Qty.	Index Number	Part Number	Description	Qty.	Index Number	Part Number	Description	Qty.
1	C01WR#G2	Upper Housing	1	GEAR BOX UNIT				ANGLE HOUSING UNIT			
2	B02WR-AM#G2	Lower Housing	1	7	000-3128	Snap Ring (RTW-28)	1	27	D44WR108B	Collar	1
3	B83WR16	Brushless Motor Assembly w/Driver	1	8	D39WR	Washer	1	28	D54WR108B#BZ	Lock Nut	1
4	000-4110	O-Ring (1.6 × 1.5)	1	9	D49WR-9	Planet Gear	3	29	D54WR108B-1B	Lock Nut	1
5	D51SC108B	Motor Holder	1	10	B51WR-6	Gear Cage Assembly	1	30	B49WR144B-8	Main Bevel Gear Assembly	1
6	000-0242	Screw (M4 × 8L)	2	11	D39WR-8	Washer	1	31	D39WR144B	Washer	1
24	D48WR	Spring	1	12	D49WR-10	Planet Gear	3	32	B42WR-1#BZ	Angle Housing Assembly	1
25	B51WR	Connecting Holder Assembly	1	13	B51WR-11	Gear Plate Assembly	1	33	000-4114	O-Ring (3 × 1.5)	1
26	000-4120Y	Marking Ring (P32, Yellow)	1	14	B50WR	Gear Box Assembly	1	34	000-1340	Screw (M4 × 5L)	1
37	B75WR	Sensor & LED Assembly	1	14(1)	000-4118	O-Ring (28 × 1.5)	1*	35	B49WR144B2-9	Bevel Gear Assembly	1
38	B09PW15-1#B1	F/R Valve (1 set × 2 pcs)	1	CLUTCH UNIT				36	D54WR108B-2B	Lock Nut	1
39	D48PW15-1	Spring	1	15	B43WR16	Clutch Unit	1	AIMCO also offers a complete line of standard & special adapters, bits, sockets, and extensions			
40	E76WR	PC Board	1	16	B29WR	Clutch Assembly	1				
41	E86SC	Connector Wire	1	17	000-3853	Steel Ball (7/32")	4				
42	D48PW15	Spring	1	18	D39WR-2	Washer	1				
43	B09PW15#B1	Trigger Assembly	1	19	D39WR-7	Washer	2				
44	C10SC108B-2#B1	Cover	1	20	D48WR-2	Spring (Yellow)	1				
45	C10WR#W2	Cover	1	21	D39WR-5	Washer (White)	1				
46	000-1430C	Screw (M3 × P0.5 × 10L)	16	22	D39SC108B-2	Adjust Washer	1				
47	000-1531B	Washer (3.3 × 8)	2	23	D54SC108B	Adjust Nut	1				
48	BB180C-320	18V Li-Ion 2.0Ah Battery	1		000-3012	Snap Ring (STW-12)	1				
49	E86B	Power Cord	1								
50	B84192B	Battery Charger	1								

FOOTNOTES



10000 SE PINE
 PORTLAND, OR 97216
 503-254-6600
 FAX 503-255-2615

When ordering spare parts, please specify tool type, part number, and description.