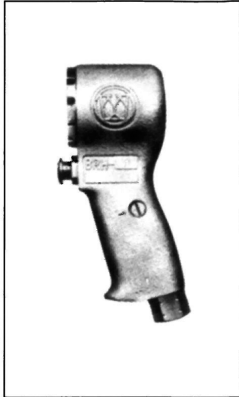
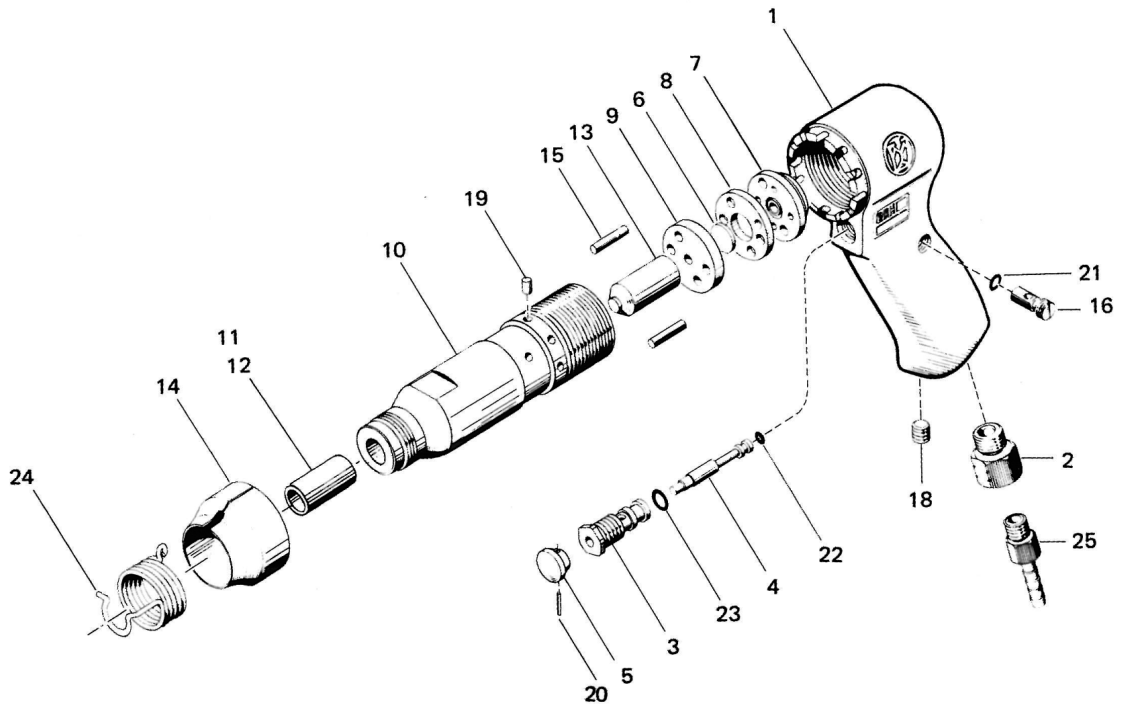


BRH-7H, BRH-7R SERIES AIR IMPACT CUTTER

EXPLODED VIEW



Handle Assembly
Code No.714-984-2
Components
(#1, 2, 3, 4, 5, 16,
18, 20, 21, 22, 23)



PARTS LIST — FOR REFERENCE ONLY

| Index Number | Part Number | Description | Qty. | Index Number | Part Number | Description | Qty. | Index Number | Part Number | Description | Qty. |
|--------------|-------------|-------------------|------|--------------|-------------|----------------------|------|--------------------|-------------|------------------------|------|
| 1 | 714-011-2 | Handle | 1 ● | 11 | 705-567-1 | Bushing (R) | 1 | 22 | 990-203-0 | O-Ring (JW1516-3) | 1 ● |
| 2 | 185-091-7 | Air Inlet Bushing | 1 ● | 12 | 786-567-1 | Bushing (H) > either | 1 | 23 | 990-610-0 | O-Ring (8 x 2) | 1 ● |
| 3 | 603-101-1 | Valve Bushing | 1 ● | 13 | 714-546-1 | Piston | 1 | ACCESSORIES | | | |
| 4 | 603-100-2 | Valve | 1 ● | 14 | 714-782-1 | Exhaust Deflector | 1 | 24 | 714-813-1 | Spring Chisel Retainer | 1 |
| 5 | 603-107-2 | Throttle Trigger | 1 ● | 15 | 714-761-1 | Cylinder Notch Pin | 2 | | | | |
| 6 | 714-195-1 | Main Valve | 1 | 16 | 023-240-1 | Regulator Valve | 1 ● | | | | |
| 7 | 714-198-1 | Rear Valve Seat | 1 | 18 | 966-100-0 | Allen Head Plug 1/8 | 1 ● | | | | |
| 8 | 714-199-1 | Valve Spacer | 1 | 19 | 970-406-0 | Pin (H) (5 x 6.3) | 1 | | | | |
| 9 | 714-200-1 | Front Valve Seat | 1 | 20 | 973-010-0 | Roll Pin (2 x 10) | 1 ● | | | | |
| 10 | 714-286-2 | Cylinder | 1 | 21 | 990-003-0 | O-Ring (P5) | 1 ● | | | | |



10000 SE PINE
PORTLAND, OR 97216
503-254-6600
FAX 503-255-2615

When ordering spare parts, please specify
tool type, part number, and description.

FOOTNOTES

● = Handle Assembly Components