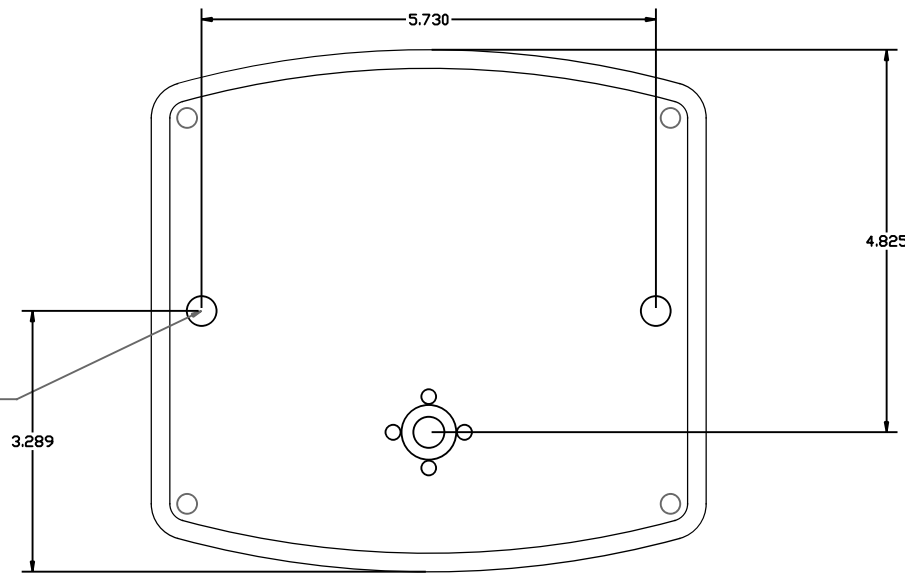
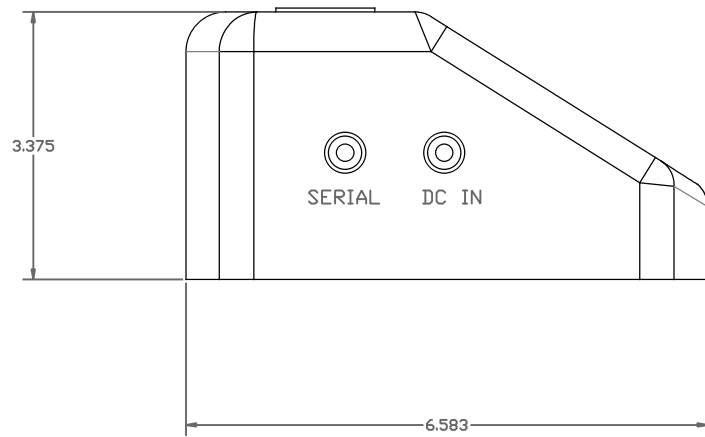
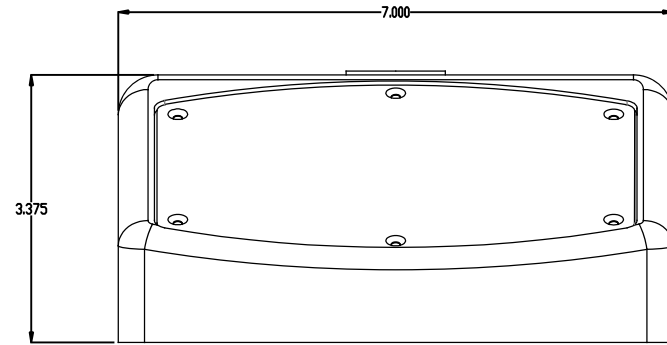
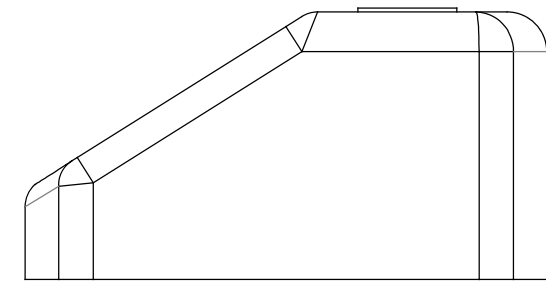
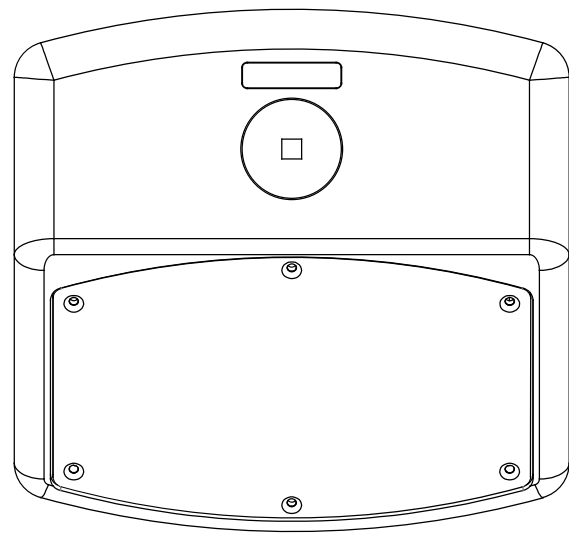
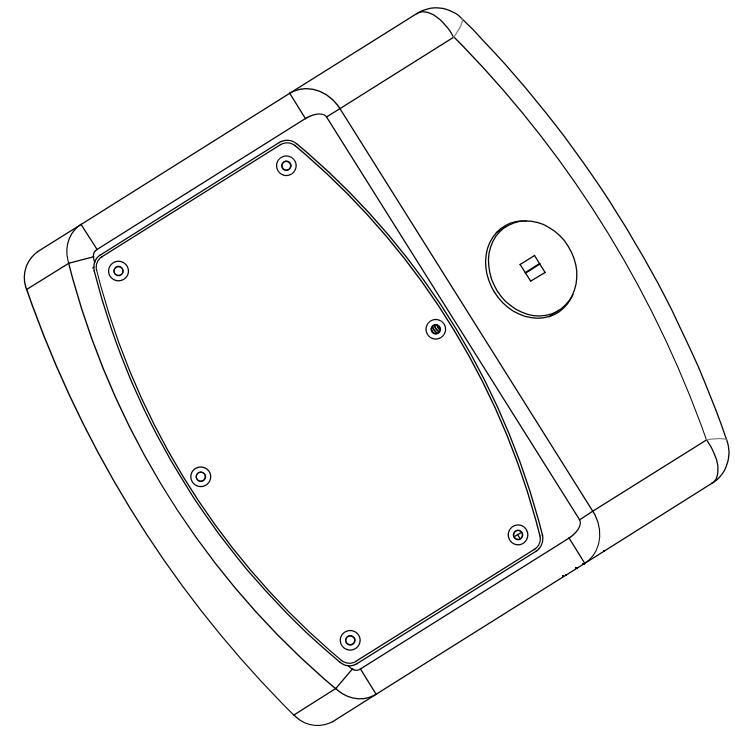


REV: Original 9-4-2014		Title AUET-MTM 2014 Case Layout	
DATE 5-22-15	Designer CV/DC	DRAWING NO. A-AUETMTM-400-A	
Reviewed CV	Used On AEUT Basic	SAVED AS Z:\...\Aimco\2014 New Case\ Aimco Layout 2015 production.dwg	
Toll N/A	Capacity 250 lb. ft.	Material material & dims	FINISH



REV: Original 9-4-2014		Title AUET DC 2014 Case	
DATE 5-22-15	Designer CV/DC	DRAWING NO. A-AUETDC-400-A	
Reviewed CV	Used On AEUT Basic	SAVED AS Z:\..\Aimco\2014 New Case\ Aimco Layout 2015 production.dwg	
Toll N/A	Capacity 250 lb. ft	Material material & dims	FINISH