



## HIGH-CAPABILITY TOOLING SUCCESSES



Global Assembly Solutions since 1970





## *Table of Contents*

AGCO . . . . .	4
BEIJING HYUNDAI . . . . .	7
CAT . . . . .	8
CNH . . . . .	11
CUMMINS . . . . .	13
DAIMLER . . . . .	14
DOOSAN . . . . .	15
EMBRAER . . . . .	16
FAW - VOLKSWAGEN . . . . .	17
FORD . . . . .	18
GE / ALSTOM . . . . .	19
HYUNDAI POWERTECH . . . . .	20
IVECO . . . . .	21
JCB . . . . .	23
JOHN DEERE . . . . .	24
MAN . . . . .	25
MERITOR . . . . .	26
NISSAN . . . . .	27
SCANIA . . . . .	28
SCOTT AUTOMATION AND ROBOTICS . . . . .	29
SIEMENS . . . . .	30
TRW . . . . .	31
VOLVO . . . . .	32
WARTSILA . . . . .	33
WHIRLPOOL . . . . .	34

For over 40 years AIMCO has been working with manufacturers around the world, we are the complete global source for all assembly, fastening, and critical bolting needs. AIMCO can effectively and swiftly meet your needs whether you're in Thailand fastening a 3 mm nut at 3 Nm, or in Tennessee, USA torquing the last lug nut. AIMCO provides the tools and solutions, on a global scale, that guarantee the success of your project. It is with great pride that AIMCO can say the products that we manufacture are **MADE IN THE USA.**

# Our Associations





Changzhou, China: Transmission Line for Massey Ferguson Tractor

Global leader in the design, manufacturing, and distribution of agricultural equipment.

**Need:** Tools for transmission and final assembly lines.

**AcraDyne Solution:** Tools ranging from 1000 series up to HT DC series to cover complete production line.



Changzhou, China: Axle Line for Massey Ferguson Tractor



St. Petersburg, Russia: 300 Gang Assembly



St. Petersburg, Russia: Two Spindle Chain Assembly



Engine Assembly Line, Beijing



Beijing Hyundai

Automobile manufacturing company that produces Hyundai-branded automobiles for the Chinese market.

**Need:** Tools for engine assembly line.

**AcraDyne Solution:**  
1000, 2000, and 5000 series tools.





Northern Ireland: MH-3000 Series Material Handling Machine

World's leading manufacturer of construction and mining equipment, diesel and natural gas engines, industrial gas turbines, and diesel-electric locomotives.



**Wheels to Hub**

2 step tightening  
12 bolts  
Torque 1 = 200 nm  
Torque 2 = 600 nm



**Counterweight**

Target Torque = 2800 nm

System on portable base  
(moved by tug). Reaction  
arm absorbs torque  
reaction.



**Swing Motor**

Target Torques = 260 nm,  
608 nm, 900 nm

System on portable base. Arm  
absorbs torque reaction.





Northern Ireland: MH-3000 Series Material Handling Machine

Rear Axle to Lower Section  
Target Torques = 265 nm, 800 nm



Slew Ring to Upper  
Target Torques = 183 nm, 475 nm, 610 nm



Northern Ireland: MH-3000 Series Material Handling Machine

Drive Shaft



Singapore: Excavator Engine Assembly



Queretaro, Queretaro, Mexico: Tractor Assembly Line



Power Train: Gear Box Assembly



Power Train: Axle Assembly



Exhaust Assembly



Tire Assembly



Assembly Feeder



Global leader in designing, producing, and selling agricultural and construction equipment, trucks, commercial vehicles, buses, and specialty vehicles, as well as powertrain applications.

**Need:** Tools for complete control and monitoring of torque on tractor assembly line for consistent quality of final product. CNH previously used pulse tools.

**AcraDyne Solution:** Various AcraDyne tools, from low torque to high torque, provide complete control over torque, and integrate with the CNH network to send data.

Queretaro, Queretaro, Mexico: Tractor Assembly Line

Final Assembly of Rear Wheels



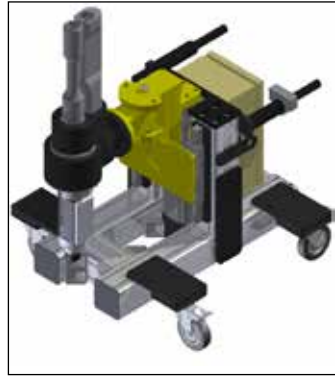
Saddle Reaction Car



Saddle Reaction Arm



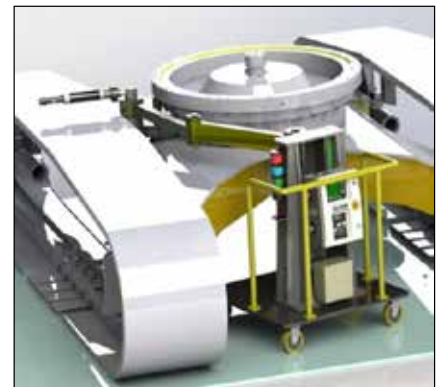
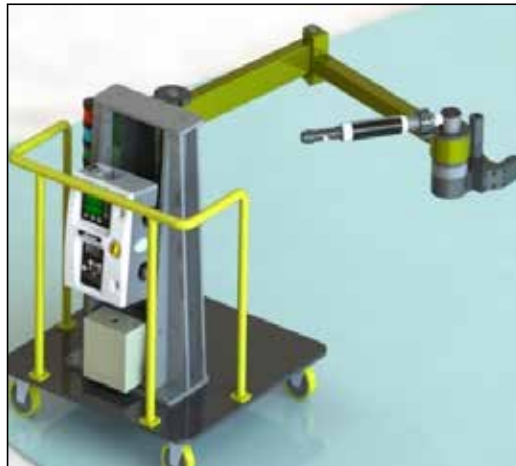
Tightening Car Tandem



Final Assembly



Tightening Car Swing Bearing



## Engine Rebuild



Designs, manufactures,  
and distributes engines,  
filtration, and power  
generation products.

## Rear Axle Assembly



One of the biggest producers of premium cars and the world's biggest manufacturer of commercial vehicles with a global reach.

**Need:** Replace set of Atlas Copco tools because of poor customer service and support.

**AcraDyne Solution:** AEN35350A with Gen IV controller provides semi-automatic tightening.

## Chassis Assembly





Doosan Infracore's Construction Equipment Division is a global construction equipment supplier with a broad lineup ranging from mid-large excavators to refractive dump trucks and small machinery.

**Need:** Tools for counterweight balance application.

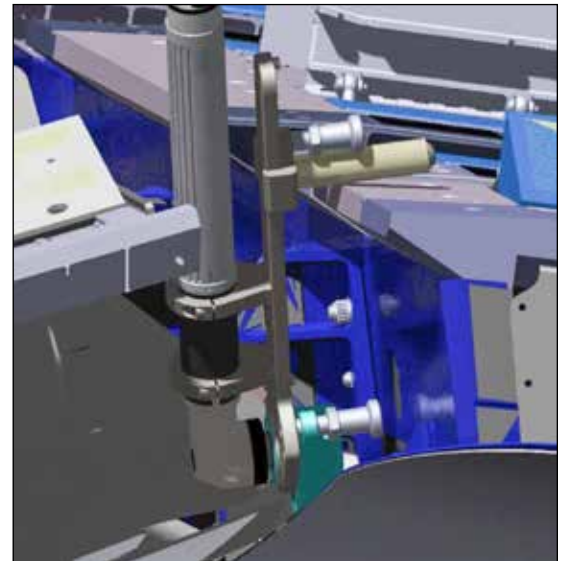
**AcraDyne Solution:** 3000 Nm inline HT DC tools with torque reaction arm.

### KC-390 Military Transport Aircraft

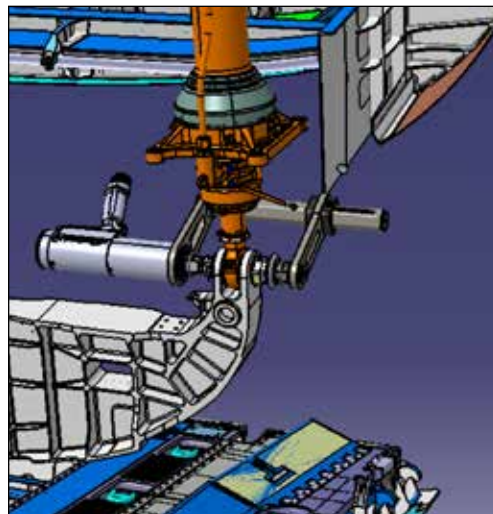
Brazilian aerospace conglomerate that produces commercial, military, executive, and agricultural aircraft, and provides aeronautical services.



Ramp



Harp







Manufacturer of Audi and Volkswagen passenger cars for sale in China.

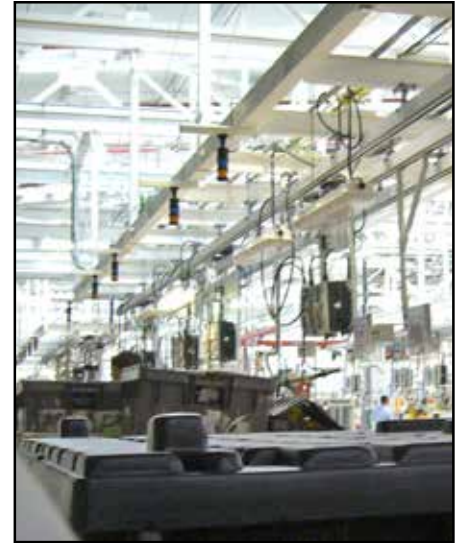
**Need:** Tools for doors on and off at body shop.

**AcraDyne Solution:**  
2000 & 3000 series  
AcraDyne DC tools.



Chihuahua, Chihuahua, Mexico: Engine Assembly and Repair (I4, J56, 4.4, and 6.7 Diesel)

6.7 L Diesel Assembly Line  
Low-Pressure Fuel Lines, Stud Bolt  
One Bolt to FIP and two to LH Cover



Assembly Area

Final Assembly



4.4L Repair Bay

6.7L Repair Bay



Global automotive industry leader that manufactures and distributes automobiles across six continents.

**Need:** Tools and controllers for complete line of 6.7 and 4.4 engine assembly. System has to monitor and control torque and angle, communicate with Toolsnet, include IP networking capability, and comply with Ford's budget and timeline. Solution requires full structure to hang tools, and requires that all tool rails be supplied and installed.

**AcraDyne Solution:** More than 300 tools and controllers supplied to Ford. The system incorporated all requirements. Best bits/sockets for application were supplied, as well covered sockets that protect operators.

Assembly Plant



Stator Assembly



Global power and technology services leader.



Transmission specialist company and Hyundai Motor Group's leading automobile parts firm.

**Need:** Tools for transmission assembly line.

**AcraDyne Solution:** 1000 and 2000 series AcraDyne DC tools with Ergo Arms and fixtures.

## Axle Assembly



International manufacturer and supplier of commercial trucks, parts, and diesel engines.

CNH Iveco Factory, Bourbon Lancy, France

Application: Engine dressing, sub-assembly mounting  
 Application torque: 1.6 to 4 Nm  
 AcraDyne tool used: AES4A12006BQ  
 Controller: IEC4EV



## Wheel Installation



Multinational manufacturer of equipment for construction, agriculture, waste handling, and demolition.



Manufactures agricultural, construction, and forestry machinery, diesel engines, drivetrains used in heavy equipment, and lawn care equipment.

## Assembly

### Wheel Assembly



### Skidder Engine Mount



### Steer Skidder Plate Mount



### Small Loader Wheel Mount



### Tie Rod Adjustment







One of Europe's leading manufacturers of commercial vehicles, engines, and mechanical engineering equipment.





**MERITOR**

Global provider of automotive systems, modules, and components for light vehicle, commercial truck, trailer, and specialty original equipment manufacturers.

Assembly of Bearing Cap to Carrier



South Carolina: Four Spindle Multiples





Car Subframe



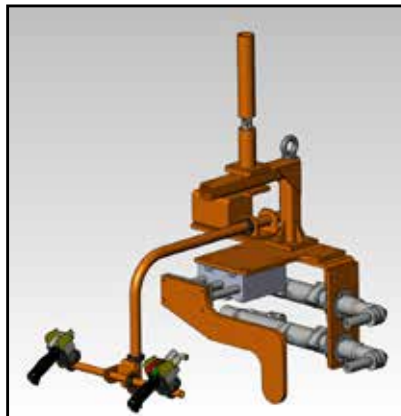
TLink



Center Bearing and Lower Torque Rod



Strut to Knuckle



Upper Torque Rod



Global full-line vehicle manufacturer.



Brazil: Subassembly Truck Plant

Major Swedish automotive industry manufacturer of commercial vehicles, specifically heavy trucks and buses.



Australia: Mining Truck Wheel Nut Assembly and Disassembly



Global provider of automation and robotic solutions in industries including meat, food, mining, and general manufacturing.

**Need:** Tools for disassembly and reassembly/replacement of earthmover wheels.

**AcraDyne Solution:** 2000 Nm inline HT DC tool system with ABB articulated robot.

## Wind Tower Assembly

Electronics and industrial conglomerate with operations in the automation and control, information and communications, lighting, healthcare, and energy sectors.





Global company focused on providing active and passive safety products and services to the automotive industry.

**Need:** Four-bolt and six-bolt applications were having issues on valve cover assembly due to an o-ring that was not seated properly.

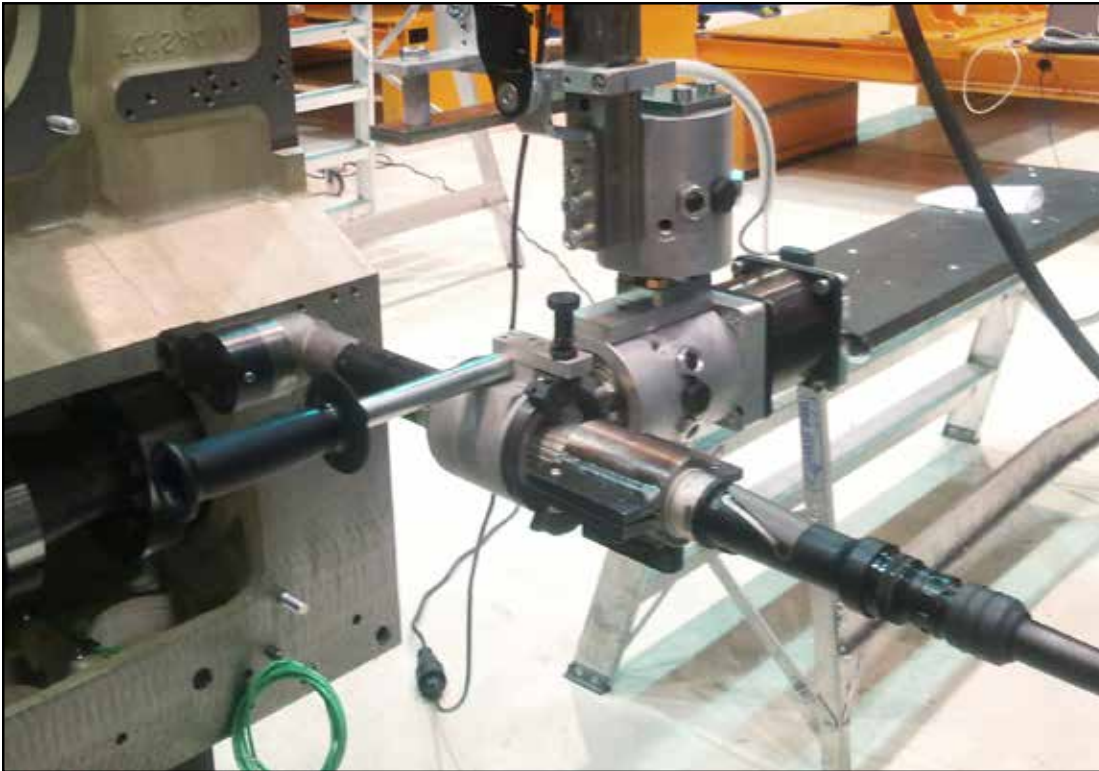
**AcraDyne Solution:** AEN35225B and AEP35350APT nutrunners, coupled with the Gen IV controller, allowed operators to create and set parameters to monitor and properly tighten all bolts.

One of the world's leading manufacturers of trucks, buses, construction equipment, and marine and industrial engines.





Sub Assembly for Large Combustion Engines



Manufactures and services power sources and other equipment in the marine and energy markets.





Assembly-Line Screwdriving System



World's leading global manufacturer of home appliances.





#### CORPORATE HEADQUARTERS

10000 SE Pine St.  
Portland, Oregon 97216  
Phone: (503) 254-6600  
Toll Free: 800-852-1368

AIMCO CORPORATION  
DE MEXICO SA DE CV  
Ave. Cristobal Colon 14529  
Chihuahua, Chihuahua. 31125  
Mexico  
Toll Free : (01-800) 801-1600  
Direct : (01-614) 380-1010  
Fax: (01-614) 380-1019

AIMCO EUROPE  
C/ Río Gallo, 431 urb. Montelar  
19174 Galápagos / Guadalajara  
Spain  
Phone: +34 673 34 99 25

AIMCO SOUTH AMERICA  
Carrera 29A, #7B-91. Origami Building. Int604  
Medellin; Colombia 050021  
Phone: +57 300-2926550

AIMCO CHINA  
Room 607, No. 3998 Hongxin Rd,  
Dibao Plaza, Minhang District,  
Shanghai, 201103  
China  
Phone: 0086-21-34319246  
Fax: 0086-21-34319245

AIMCO SOUTH KOREA  
B-1213, 167, Songpa-Daero  
Songpa-Gu, Seoul 05800  
South Korea  
Phone: 0082-2-2054-8930  
Cell: 0082-10-9804-8905