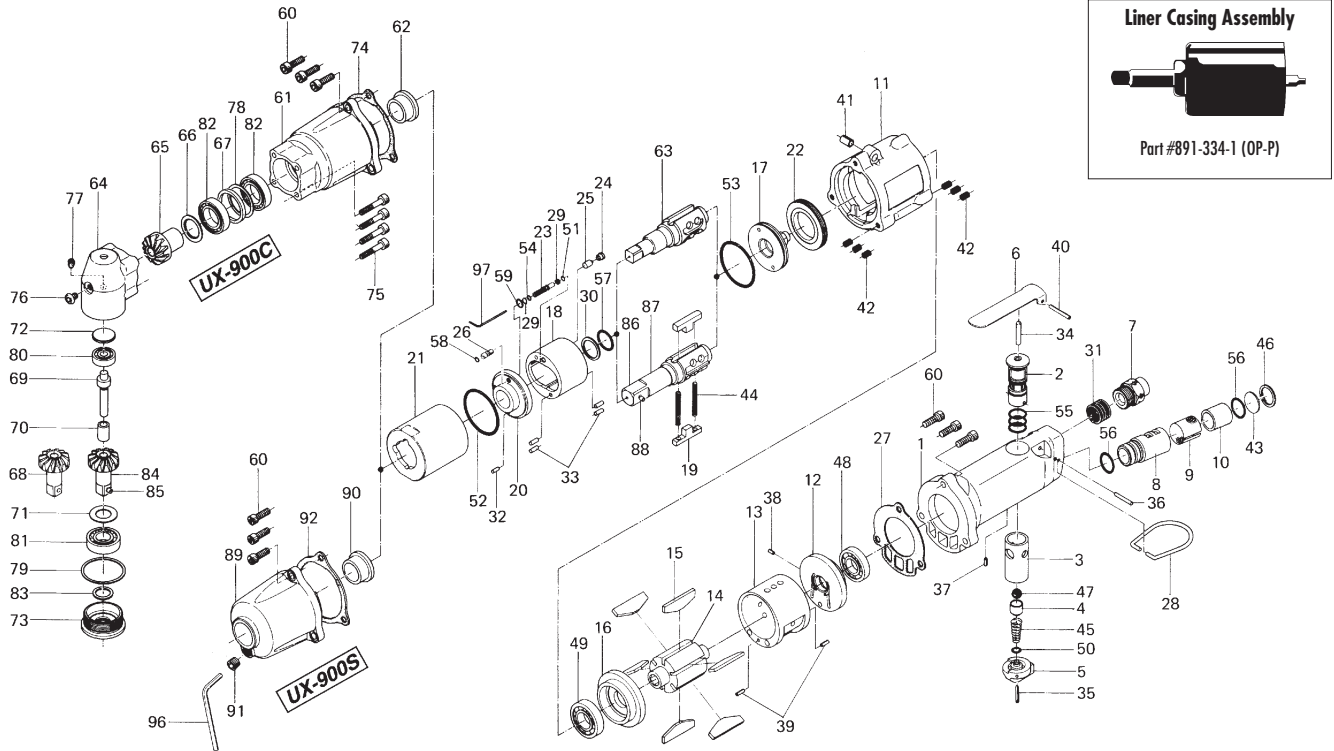


# UX-900S, UX-900C OIL-PULSE TOOLS

## EXPLODED VIEW



## PARTS LIST — FOR REFERENCE ONLY

Index Number	Part Number	Description	Qty.	Index Number	Part Number	Description	Qty.	Index Number	Part Number	Description	Qty.
1	180-011-7	Handle	1	35	973-022-0	Roll Pin (2 x 22)	1	68	020-430-1	Driven Gear (OP-0)	1
2	180-210-7	Reverse Valve	1	36	971-163-0	Pin (2.5 x 23)	1	69	188-431-7	Driven Gear Spindle	1
3	180-211-7	Reverse Valve Bushing	1	37	973-006-0	Roll Pin (2.5 x 6)	1	70	020-432-1	Driven Gear Collar	1
4	188-100-1	Valve	1	38	973-066-0	Roll Pin (2.5 x 6)	1	71	020-433-1	Driven Gear Spacer	1
5	180-212-7	Reverse Lever	1	39	973-108-0	Roll Pin (3 x 8)	2	72	562-391-7	Spindle Rear Cover	1
6	500-107-1	Valve Lever	1	40	973-124-0	Roll Pin (3 x 24)	1	73	179-488-6	Angle Casing Cover	1
7	180-091-6	Air Inlet Rushing	1	41	973-340-0	Roll Pin (6 x 10)	1	74	180-867-7	Front Casing Packing	1
8	194-780-4	Exhaust Stack	1	42	965-011-0	Heli-Sert (M5 x 1.5D)	6	75	945-129-0	Allen Head Bolt (M5 x 25)	4
9	194-042-4	Silencer	1	43	975-598-0	Round Plate (18 x 1)	1	76	945-949-0	Hexagonal Round Head Bolt (M5 x 6)	1
10	194-835-4	Filter	1	44	976-794-0	Spring (3.8 x 33 x 0.5) WPC	2	77	954-206-0	Allen Head Cone Point Screw (M5 x 6)	1
11	180-025-7	Casing	1	45	977-103-0	Cone Spring (6 x 9.5 x 16)	1	78	975-803-0	Adjusting Spacer (30 x 26 x T)	1
12	194-285-3	Rear Plate	1	46	979-318-0	Inner Snap Ring (IRTW-18)	1	79	975-836-0	Adjusting Spacer (36 x 325 x T)	1
13	194-286-3	Cylinder	1	47	981-208-0	Ball (Black) (5/16)	1	80	982-021-0	Ball Bearing (626)	1
14	194-287-3	Rotor	1	48	982-403-0	Ball Bearing (EE4)	1	81	982-101-0	Ball Bearing (6001)	1
15	194-288-3	Blade	6	49	982-950-0	Ball Bearing (16002)	1	82	982-904-0	Ball Bearing (6903)	2
16	194-289-3	Front Plate	1	50	990-005-0	U-Ring (P7)	1	83	990-910-0	O-Ring (SNS-12-5)	1
17	194-901-3	Rear Liner Plate	1	51	990-320-0	O-Ring (ARPS68-003)	1	84	891-346-1	Driven Gear (OP-P)	1
18	194-902-3	Liner	1	52	990-338-0	O-Ring (JW1530-28)	1	85	891-304-1	Socket Retainer Pin Assembly	1
19	194-440-3	Driving Blade	2	53	990-607-0	O-Ring (34 x 2.3)	1	<b>PARTS FOR UX-900S</b>			
20	194-904-3	Front Liner Plate	1	54	990-900-0	O-Ring (SNS2)	1	86	194-319-3	Anvil (OP-0)	1
21	194-905-3	Liner Casing	1	55	990-909-0	O-Ring (SNS11.2)	1	87	891-311-1	Anvil (OP-P)	1
22	194-906-3	Liner Casing Cover	1	56	990-914-0	O-Ring (SNS16)	2	88	891-304-1	Socket Retainer Pin Assembly	1
23	194-907-3	Relief Valve Spindle	1	57	992-021-0	O-Ring (Q16) NTN	1	89	180-439-7	Front Casing	1
24	194-969-2	Relief Valve Cover	1	58	990-900-0	O-Ring (SNS2)	1	90	188-328-2	Anvil Bushing	1
25	194-970-2	Relief Valve	1	59	990-973-0	O-Ring (SNS5)	1	91	966-100-0	Allen Head Plug (PT1/8)	1
26	194-742-3	Oil Plug	1	60	945-117-0	Allen Bolt (M5 x 16)	6	92	180-867-7	Front Casing Packing	1
27	180-851-7	Handle Packing	1	<b>PARTS FOR UX-900C</b>			<b>ACCESSORIES</b>				
28	010-790-1	Suspension Ring	1	61	179-439-4	Front Casing	1	96	939-104-0	Allen Wrench (5)	1
29	944-002-0	Supporter Ring (2.6 x 4.5 x 1)	2	62	188-328-2	Anvil Bushing	1	97	939-109-0	Allen Wrench (2)	1
29-1	944-003-0	Supporter Ring (3 x 5 x 1)	1	63	179-319-7	Anvil	1				
30	944-210-0	Supporter Ring (1.6 x 19.9 x 1)	1	64	179-441-7	Angle Casing	1				
31	965-073-0	Heli-Sert (UNF5/8 x N6)	1	65	179-420-6	Driving Gear	1				
32	969-450-0	Pin (G) (3 x 8)	1	66	179-425-6	Driving Gear Spacer	1				
33	970-206-0	Pin (H) (3 x 8)	4	67	179-423-6	Driving Gear Bushing Spacer	1				
34	970-326-0	Pin (H) (4 x 25)	1								



10000 SE PINE  
PORTLAND, OR 97216  
503-254-6600  
FAX 503-255-2615

When ordering spare parts, please specify tool type, part number, and description.

## FOOTNOTES