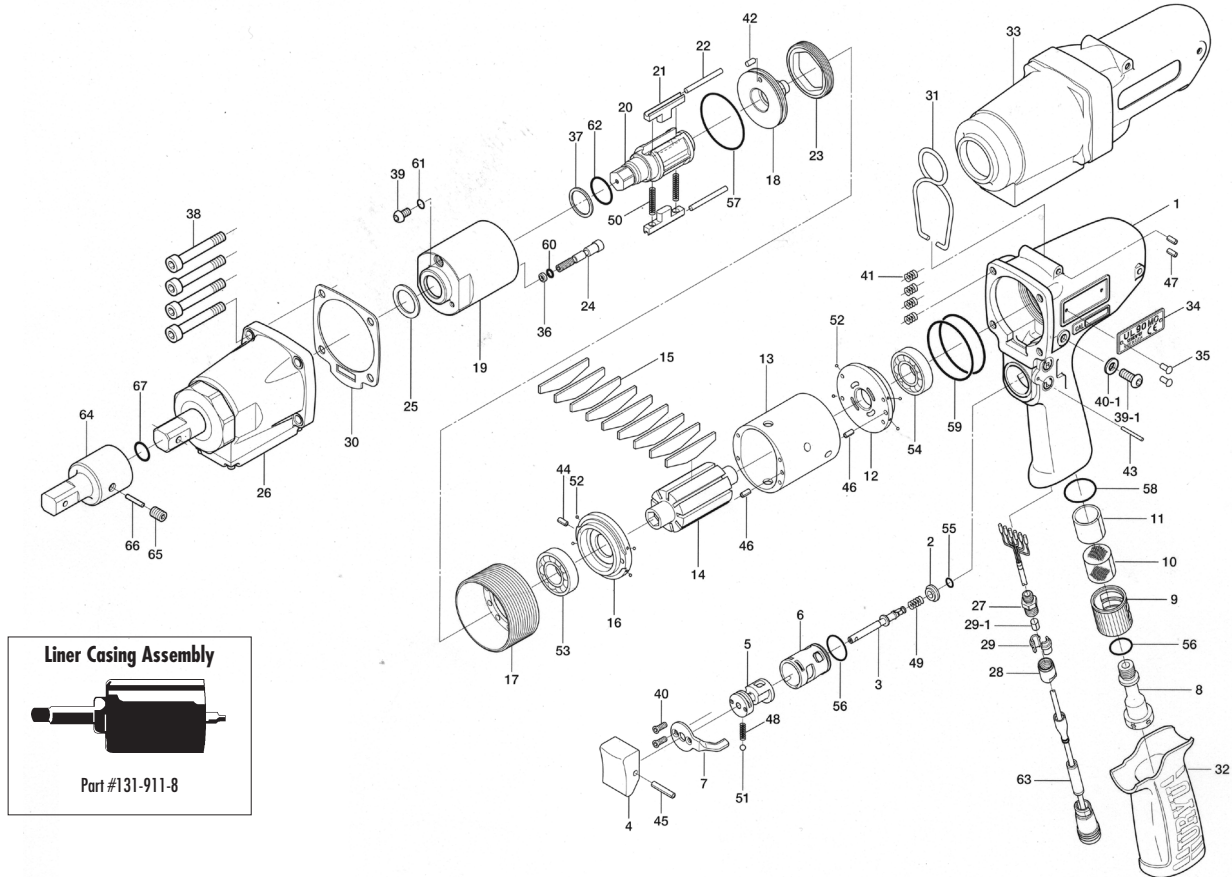
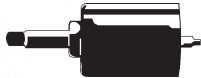


UL-90MC SERIES OIL-PULSE WRENCHES

EXPLODED VIEW



Liner Casing Assembly



Part #131-911-8

PARTS LIST — FOR REFERENCE ONLY

Index Number	Part Number	Description	Qty.	Index Number	Part Number	Description	Qty.	Index Number	Part Number	Description	Qty.
1	17E-025-9	Handle	1	28	851-302-1	Cap	1	49	976-643-0	Spring (7.5 x 9.7) (0.9)	1
2	147-100-8	Valve	1	29	851-303-1	Stopper	2	50	976-794-0	Spring (3.8 x 33) (0.5) WPC	2
3	147-104-8	Valve Rod	1	29-1	131-395-8	Outer Ring	1	51	981-002-0	Ball (1/8)	1
4	147-107-2	Valve Rever	1	30	149-867-5	Front Casing Packing	1	52	981-045-0	Ball (1.5)	8
5	147-210-8	Reserve Valve	1	31	174-790-0	Suspension Ring	1	53	982-903-0	Ball Bearing (6902)	1 ●
6	147-211-8	Reverse Valve Bushing	1	32	131-842-6	Handle Cover	1	54	982-949-0	Ball Bearing (16001)	1 ●
7	147-212-8	Reserve Lever	1	33	17E-840-9	Handle Protector (Ro10)	1	55	990-306-0	O-Ring (ARP-568-004 (H))	1
8	147-091-8	Air Inlet Bushing	1	34	131-924-8	Metal Tag	1	56	990-914-0	O-Ring (SNS-16)	2
9	147-780-9	Exhaust Stack	1	35	930-205-0	Driver Screw Rivet (No.0 x 2.6)	2	57	990-915-0	O-Ring (SNS-29)	1
10	147-042-8	Silencer	1	36	944-002-0	Supporting Ring (2.6 x 4.5 x 1)	1	58	990-919-0	O-Ring (SNS-22)	1
11	147-835-8	Filter (K100)	1 ●	37	944-215-0	Supporting Ring (16 x 19.9 x 1.5)	1	59	990-932-0	O-Ring (SNS-42)	2 ●
12	143-285-9	Rear Plate	1	38	945-117-0	Allen Head Bolt (M5 x 16)	4	60	990-970-0	O-Ring (SNS-2)	1
13	143-286-9	Cylinder	1	39	945-942-0	Hexagon Round Head Bolt (M4 x 6)	1	61	990-971-0	O-Ring (SNS-3) (NOK)	1
14	147-287-8	Rotor	1	39-1	945-949-0	Hexagon Round Head Bolt (M5 x 6)	1	62	992-021-0	SU-Ring (Q16) (NTN)	1
15	147-288-8	Blade (PC)	9 ●	40	948-422-0	Allen Flush Head Screw (M3 x 5)	2	63	911-061-0	Joint Cable Assembly	1
16	143-289-9	Front Plate	1	40-1	961-012-0	Flat Washer (5 mm)	1	64	904-190-0	Extension Bar (1/2 x 60) (MC)	1
17	143-036-9	Hammer Casing Connector	1	41	965-011-0	Heli-Sert (M5 x 1.5D)	4	65	953-205-0	Allen Head Flate Point Screw (M5 x 5)	1
18	143-901-9	Rear Liner Plate	1	42	970-204-0	Pin (H) (3 x 6)	1	66	971-220-0	Pin (3 x 20)	1
19	143-902-9	Liner	1	43	971-125-0	Pin (2 x 25)	1	67	990-016-0	O-Ring (P16)	1
20	851-299-1	Anvil	1	44	973-006-0	Roll Pin (2 x 6)	1	ACCESSORIES			
21	147-440-9	Driving Blade	2	45	973-014-0	Roll Pin (2 x 14)	1	81	910-263-0	Sensor Cable Assembly (3F5)	1
22	147-974-8	Roller Pin (2.5 x 30)	2	46	973-068-0	Roll Pin (2.5 x 8)	2	82	909-749-0	Solenoid Valve Assembly	1
23	143-906-9	Liner Casing Cover	1	47	973-308-0	Roll Pin (5 x 8)	2				
24	143-970-9	Relief Valve	1	48	976-006-0	Spring (3 x 5)	1				
25	147-327-9	Anvil Front Spacer	1								
26	851-681-1	Sensor Casing Assembly (S08S)	1								
27	851-301-1	Connector	1								

FOOTNOTES

● = Items in Repair Kit UL-90MC-RK



10000 SE PINE
PORTLAND, OR 97216
503-254-6600
FAX 503-255-2615

When ordering spare parts, please specify tool type, part number, and description.