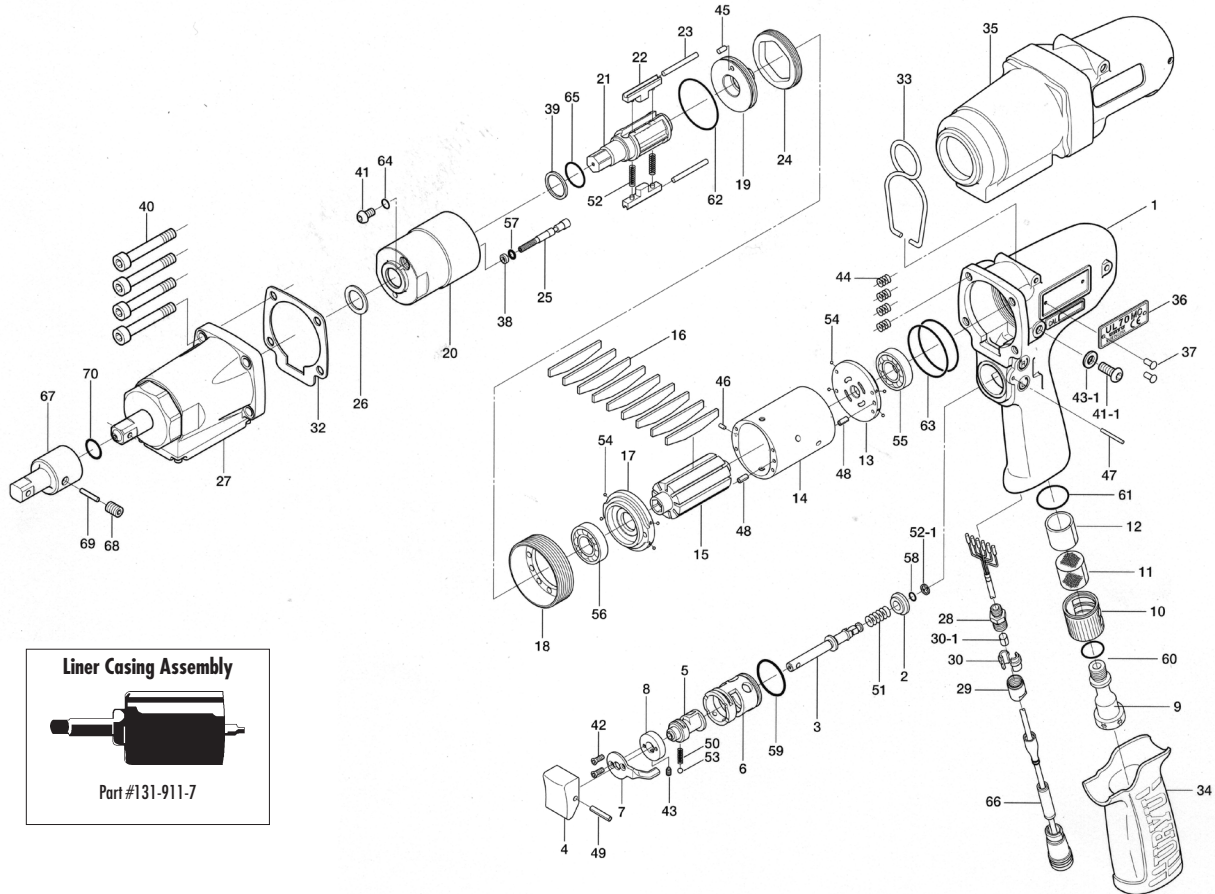


# UL-70MC SERIES OIL-PULSE WRENCHES

## EXPLODED VIEW



## PARTS LIST — FOR REFERENCE ONLY

Index Number	Part Number	Description	Qty.	Index Number	Part Number	Description	Qty.	Index Number	Part Number	Description	Qty.
1	17E-025-0	Handle	1	28	851-301-1	Connector	1	50	976-006-0	Spring (3 x 5)	1
2	147-100-3	Valve	1	29	851-302-1	Cap	1	51	976-457-0	Spring (7 x 12) (0.9)	1
3	147-104-2	Valve Rod	1	30	851-303-1	Stopper	2	52	976-788-0	Spring (3.5 x 25) (0.45) WPC	2
4	147-107-2	Valve Lever	1	30-1	131-395-8	Outer Ring	1	52-1	979-405-0	Outer Snap Ring (E2.5)	1
5	851-306-1	Reverse Valve	1	32	131-867-7	Front Casing Packing	1	53	981-002-0	Ball (1/8)	1
6	851-359-1	Reverse Valve Bushing	1	33	174-790-0	Suspension Ring	1	54	981-045-0	Ball (1.5)	8
7	173-212-0	Reverse Lever	1	34	131-842-6	Handle Cover	1	55	982-014-0	Ball Bearing (607)	1
8	851-307-1	Reverse Valve Spacer	1	35	17E-840-0	Handle Protector (Ro10)	1	56	982-902-0	Ball Bearing (6901)	1
9	147-091-2	Air Inlet Bushing	1	36	131-924-7	Metal Tag	1	57	990-320-0	O-Ring (ARP-568-003)	1
10	147-780-3	Exhaust Stack	1	37	930-205-0	Screw (No.0 x 2.6)	2	58	990-306-0	O-Ring (ARP-568-004) (H)	1
11	147-042-2	Silencer	1	38	944-001-0	Supporting Ring (2.1 x 4 x 1)	1	59	990-912-0	O-Ring (SNS-14)	1
12	147-835-3	Filter (K200)	1	39	944-212-0	Supporting Ring (12 x 16 x 1.5)	1	60	990-914-0	O-Ring (SNS-16)	1
13	143-285-8	Rear Plate	1	40	945-117-0	Allen Head Bolt (M5 x 16)	4	61	990-916-0	O-Ring (SNS-18)	1
14	143-286-8	Cylinder	1	41	945-942-0	Hexagon Round Head Bolt (M4 x 6)	1	62	990-917-0	O-Ring (SNS-24)	1
15	143-287-8	Rotor	1	41-1	945-949-0	Hexagon Round Head Bolt (M5 x 6)	1	63	990-929-0	O-Ring (SNS-36)	2
16	147-288-6	Blade PC	9	42	948-422-0	Allen Flush Head Screw (M3 x 5)	2	64	990-971-0	O-Ring (SNS-3) (NOK)	1
17	143-289-8	Front Plate	1	43	952-006-0	Allen Head Dog Point Screw (M3x6)	1	65	992-020-0	SU-Ring (Q12) (NTN)	1
18	143-036-8	Hammer Casing Connector	1	43-1	961-012-0	Flat Washer (5MM)	1	66	911-061-0	Joint Cable Assembly	1
19	143-901-8	Rear Liner Plate	1	44	965-011-0	Heli-Sert (M5 x 1.5D)	4	67	904-090-0	Extension Bar (3/8 x 45) (MC)	1
20	131-902-7	Liner	1	45	970-147-0	Pin (H) (2.5 x 5)	1	68	953-104-0	Allen Head Flat Point Screw (M4 x 4)	1
21	851-982-1	Anvil	1	46	971-102-0	Pin (2 x 3.8)	1	69	971-214-0	Pin (3 x 14)	1
22	147-440-6	Driving Blade	2	47	971-130-0	Pin (2 x 30)	1	70	990-011-0	O-Ring (P12)	1
23	147-974-6	Roller (2.5 x 28)	2	48	973-008-0	Roll Pin (2 x 8)	2				
24	143-906-8	Liner Casing Cover	1	49	973-014-0	Roll Pin (2 x 14)	1				
25	143-970-7	Relief Valve	1								
26	178-327-0	Anvil Front Spacer	1								
27	851-691-1	Sensor Casing Assembly (S06SL)	1								

### ACCESSORIES

81	910-263-0	Sensor Cable Assembly (3F5)	1
82	909-749-0	Solenoid Valve Assembly	1

### FOOTNOTES



10000 SE PINE  
PORTLAND, OR 97216  
503-254-6600  
FAX 503-255-2615

When ordering spare parts, please specify tool type, part number, and description.