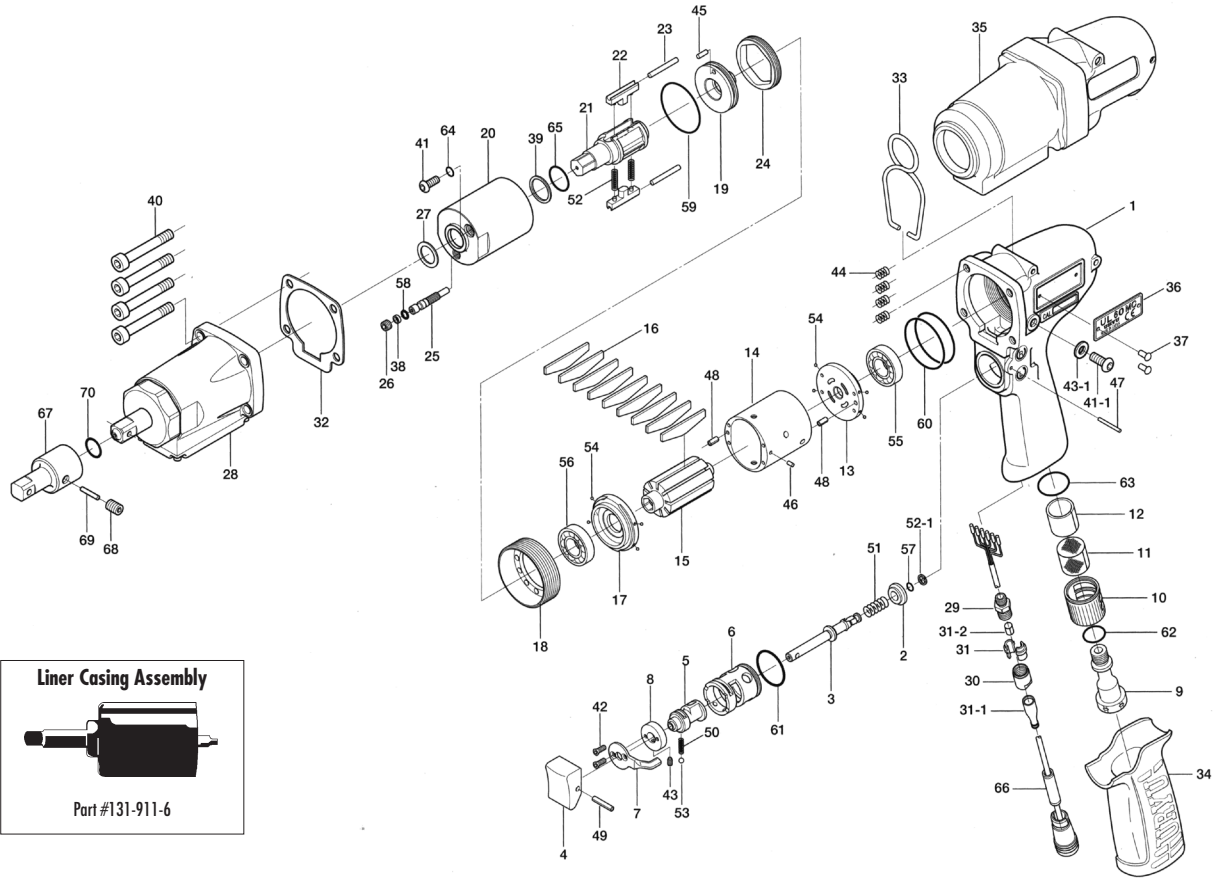


UL-60MC SERIES OIL-PULSE WRENCHES

EXPLODED VIEW



PARTS LIST — FOR REFERENCE ONLY

| Index Number | Part Number | Description | Qty. | Index Number | Part Number | Description | Qty. | Index Number | Part Number | Description | Qty. |
|--------------|-------------|-------------------------------|------|--------------|-------------|-------------------------------------|------|--------------|-------------|--------------------------------------|------|
| 1 | 17D-025-3 | Handle | 1 | 29 | 851-301-1 | Connector | 1 | 49 | 973-014-0 | Roll Pin (2 x 14) | 1 |
| 2 | 147-100-3 | Valve | 1 | 30 | 851-302-1 | Cap | 1 | 50 | 976-006-0 | Spring (3 x 5) | 1 |
| 3 | 147-104-2 | Valve Rod | 1 | 31 | 851-303-1 | Stopper | 2 | 51 | 976-457-0 | Spring (7 x 12) (0.9) | 1 |
| 4 | 147-107-2 | Valve Lever | 1 | 31-1 | 131-564-8 | Lock Sleeve Cover | 1 | 52 | 976-788-0 | Spring (3.5 x 25) (0.45) | 2 |
| 5 | 851-306-1 | Reverse Valve | 1 | 31-2 | 131-395-8 | Outer Ring | 1 | 52-1 | 979-405-0 | Outer Snap Ring (E2.5) | 1 |
| 6 | 851-359-1 | Reverse Valve Busing | 1 | 32 | 149-867-2 | Front Casing Packing | 1 | 53 | 981-002-0 | Ball (1/8) | 1 |
| 7 | 173-212-0 | Reverse Lever | 1 | 33 | 143-790-3 | Suspension Ring | 1 | 54 | 981-045-0 | Ball (1.5 mm) | 8 |
| 8 | 851-307-1 | Reverse Valve Spacer | 1 | 34 | 131-842-6 | Handle Cover | 1 | 55 | 982-014-0 | Ball Bearing (607) | 1 |
| 9 | 147-091-2 | Air Inlet Bushing | 1 | 35 | 17D-840-3 | Handle Protector (Ro10) | 1 | 56 | 982-902-0 | Ball Bearing (6901) | 1 |
| 10 | 147-780-3 | Exhaust Stack | 1 | 36 | 131-924-6 | Metal Tag | 1 | 57 | 990-306-0 | O-Ring (ARP-568-004)(H) | 1 |
| 11 | 147-042-2 | Silencer | 1 | 37 | 930-205-0 | Driver Screw Rivet (No.0 x 2.6) | 2 | 58 | 990-320-0 | O-Ring (ARP-568-003) | 1 |
| 12 | 147-835-3 | Filter (K200) | 1 | 38 | 944-002-0 | Supporting Ring (2.6 x 4.5 x 1) | 1 | 59 | 990-331-0 | O-Ring (JW-1530-21) | 1 |
| 13 | 147-285-2 | Rear Plate | 1 | 39 | 944-212-0 | Supporting Ring (12 x 16 x 1.5) | 1 | 60 | 990-337-0 | O-Ring (JW-1530-27) | 2 |
| 14 | 147-286-2 | Cylinder | 1 | 40 | 945-117-0 | Allen Head Bolt (M5 x 16) | 4 | 61 | 990-912-0 | O-Ring (SNS-14) | 1 |
| 15 | 147-287-3 | Rotor | 1 | 41 | 945-942-0 | He x agon Round Head Bolt (M4 x 6) | 1 | 62 | 990-914-0 | O-Ring (SNS-16) | 1 |
| 16 | 147-288-2 | Blade (PC) | 9 | 41-1 | 945-949-0 | He x agon Round Head Bolt (M5 x 6) | 1 | 63 | 990-916-0 | O-Ring (SNS-18) | 1 |
| 17 | 147-289-3 | Front Plate | 1 | 42 | 948-422-0 | Allen Flush Head Screw (M3 x 5) | 2 | 64 | 990-971-0 | O-Ring (SNS-3) (NOK) | 1 |
| 18 | 147-036-2 | Hammer Casing Connector | 1 | 43 | 952-006-0 | Allen Head Dog Point Screw (M3 x 6) | 1 | 65 | 992-020-0 | SU-Ring (Q12) (NTN) | 1 |
| 19 | 143-901-6 | Rear Liner Plate | 1 | 43-1 | 961-012-0 | Flat Washer (5 mm) | 1 | 66 | 911-061-0 | Joint Cable Assembly | 1 |
| 20 | 143-902-6 | Liner | 1 | 44 | 965-011-0 | Heli-Sert (M5 x 1.5D) | 4 | 67 | 904-090-0 | E x tension Bar (3/8 x 45) (MC) | 1 |
| 21 | 131-319-6 | Anvil | 1 | 45 | 970-148-0 | Pin (H) (2.5 x 3.8) | 1 | 68 | 953-104-0 | Allen Head Flat Point Screw (M4 x 4) | 1 |
| 22 | 143-440-6 | Driving Blade | 2 | 46 | 971-102-0 | Pin (2 x 3.8) | 1 | 69 | 971-214-0 | Pin (3 x 14) | 1 |
| 23 | 143-974-6 | Roller (2.5 x 25) | 2 | 47 | 971-130-0 | Pin (2 x 30) | 1 | 70 | 990-011-0 | O-Ring (P12) | 1 |
| 24 | 143-906-3 | Liner Casing Cover | 1 | 48 | 973-008-0 | Roll Pin (2 x 8) | 2 | 81 | 910-263-0 | Sensor Cable Assembly (3F5) | 1 |
| 25 | 143-970-6 | Relief Valve | 1 | | | | | 82 | 909-749-0 | Solenoid Valve Assembly | 1 |
| 26 | 136-969-7 | Relief Valve Plate | 1 | | | | | | | | |
| 27 | 178-327-0 | Anvil Front Spacer | 1 | | | | | | | | |
| 28 | 851-679-1 | Sensor Casing Assembly (S04S) | 1 | | | | | | | | |

FOOTNOTES



10000 SE PINE
PORTLAND, OR 97216
503-254-6600
FAX 503-255-2615

When ordering spare parts, please specify tool type, part number, and description.