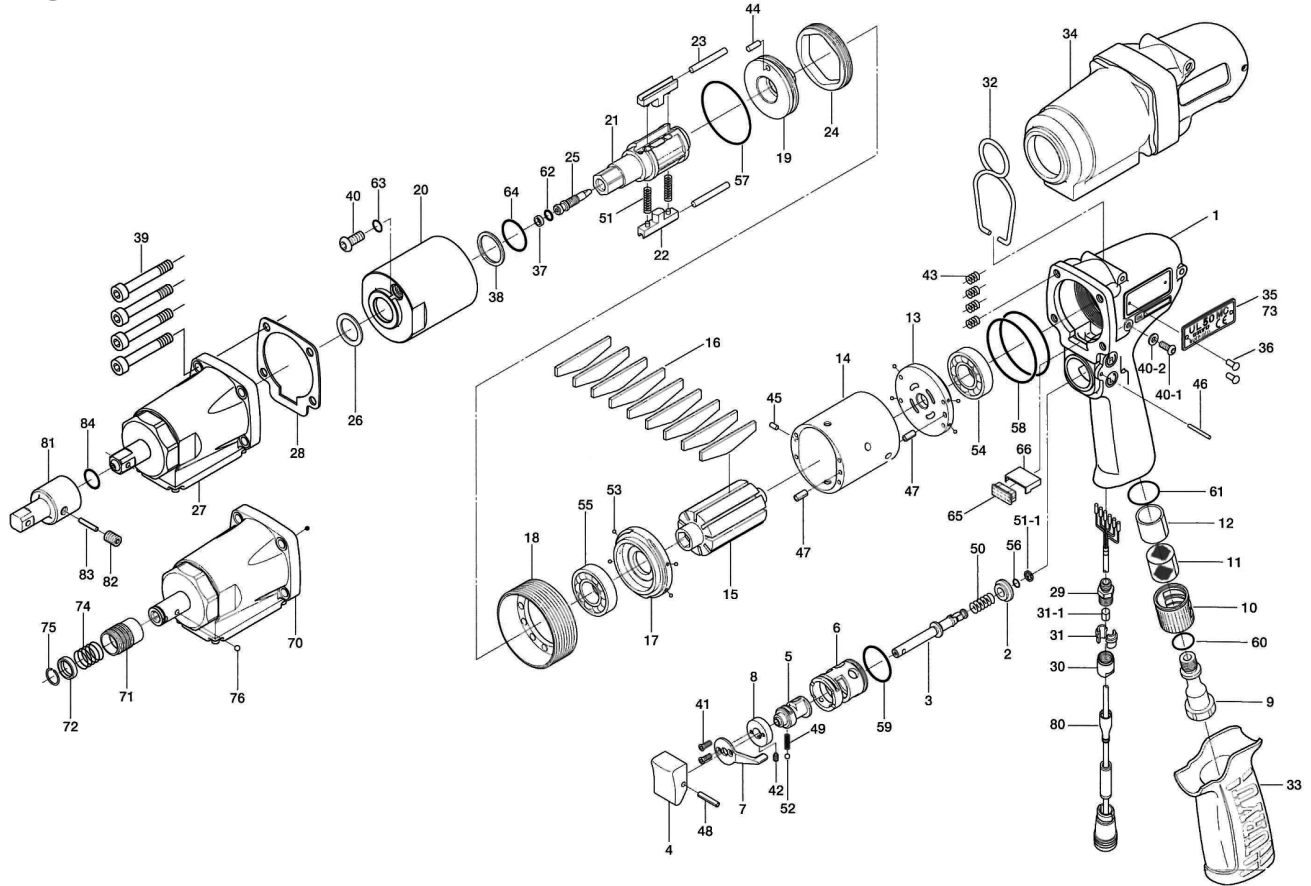


UL-50MC, UL-50DMC SERIES OIL-PULSE WRENCHES

EXPLODED VIEW



PARTS LIST — FOR REFERENCE ONLY

Index Number	Part Number	Description	Qty.	Index Number	Part Number	Description	Qty.	Index Number	Part Number	Description	Qty.
1	17C-025-4	Handle	1	30	851-302-1	Cap	1	55	982-902-0	Ball Bearing (6901)	1
2	147-100-3	Valve	1	31	851-303-1	Retainer	2	56	990-306-0	O-Ring (ARP-568-004) (H)	1
3	147-104-2	Valve Rod	1	31-1	131-564-8	Retainer Cover	1	57	990-331-0	O-Ring (JW1530-21)	1
4	147-107-2	Valve Lever	1	32	143-790-3	Suspension Bail	1	58	990-337-0	O-Ring (JW1530-27)	2
5	851-306-1	Reverse Valve	1	33	131-842-6	Handle Cover	1	59	990-912-0	O-Ring (SNS-14)	1
6	851-359-1	Reverse Valve Bushing	1	34	17C-840-4	Handle Protector (Ro10)	1	60	990-914-0	O-Ring (SNS-16)	1
7	173-212-0	Reverse Lever	1	35	131-924-5	Name Plate	1	61	990-916-0	O-Ring (SNS-18)	1
8	851-307-1	Reverse Valve Spacer	1	36	930-205-0	Driver Rivet (No. 0 x 2.6)	2	62	990-970-0	O-Ring (SNS-2) (NOK)	1
9	147-091-2	Air Inlet Bushing	1	37	944-002-0	Supporting Ring (2.6 x 4.5 x 1)	1	63	990-971-0	O-Ring (SNS-3) (NOK)	1
10	147-780-3	Exhaust Stack	1	38	944-212-0	Supporting Ring (12 x 16 x 1.5)	1	64	992-020-0	SU-Ring (Q12) (NOK)	1
11	147-042-2	Silencer	1	39	945-117-0	Allen Head Bolt (M5 x 16)	4	65	909-918-0	Double-Row Socket	1
12	145-835-8	Filter (K-100)	1	40	945-942-0	Hexagon Round Head Bolt (M4 x 6)	1	66	911-017-0	Connector Cover	1
13	147-285-2	Rear Plate	1	41	948-422-0	Allen Flush Head Screw (M3 x 5)	2	70	851-697-1	Sensor Casing Assembly (S04D)	1
14	143-286-3	Cylinder	1	42	952-006-0	Allen Head Dog Point Screw (M3 x 6)	1	71	011-351-1	Bit Sleeve	1
15	143-287-3	Rotor	1	43	965-011-0	Heli-Sert (M5 x 1.5D)	4	72	011-352-1	Bit Spacer	1
16	143-288-3	Blade (PC)	9	44	970-145-0	Pin (H) (2.5 x 3.5)	1	73	131-924-2	Metal Tag	1
17	147-289-3	Front Plate	1	45	971-102-0	Pin (2 x 3.8)	1	74	976-327-0	Spring (13.5 x 11)	1
18	147-036-2	Hammer Casing Connector	1	46	971-130-0	Pin (2 x 30)	1	75	978-117-0	Snap Ring (11.7 x 1)	1
19	143-901-3	Rear Liner Plate	1	47	973-008-0	Roll Pin (2 x 8)	2	76	981-002-0	Ball (1/8)	1
20	143-902-3	Liner	1	48	973-014-0	Roll Pin (2 x 14)	1	80	911-061-0	Joint Cable Assembly	1
21	851-357-1	Anvil	1	49	976-006-0	Spring (3 x 5) (0.4)	1	81	904-090-0	Extension Bar (3/8 x 45)	1
22	143-440-3	Driving Blade	2	50	976-457-0	Spring (7 x 12) (0.9)	1	82	953-104-0	Allen Head Flat Point Screw (M4 x 4)	1
23	143-974-3	Roller Pin (2.5 x 22)	2	51	976-792-0	Spring (3.5 x 21) (0.45) WPC	2	83	971-214-0	Pin (3 x 14)	1
24	143-906-3	Liner Casing Cover	1	51-1	979-405-0	Outer Snap Ring (E2.5)	1	84	990-011-0	O-Ring (P12)	1
25	143-970-3	Relief Valve	1	52	981-002-0	Ball (1/8)	1	85	939-090-0	Allen Wrench (1.5 mm)	1
26	178-327-0	Anvil Front Spacer	1	53	981-045-0	Ball (1.5 mm)	8	88	909-749-0	Solenoid Valve Assembl (VP542)	1
27	851-679-1	Sensor Casing Assembly (S04S)	1	54	982-014-0	Ball Bearing (607)	1	90	910-263-0	Sensor Cable Assembly (3F5)	1
28	149-867-2	Front Casing Packing	1					91	910-633-0	Conector Cover	1
29	851-301-1	Connector	1								

FOOTNOTES



10000 SE PINE
PORTLAND, OR 97216
503-254-6600
FAX 503-255-2615

When ordering spare parts, please specify
tool type, part number, and description.