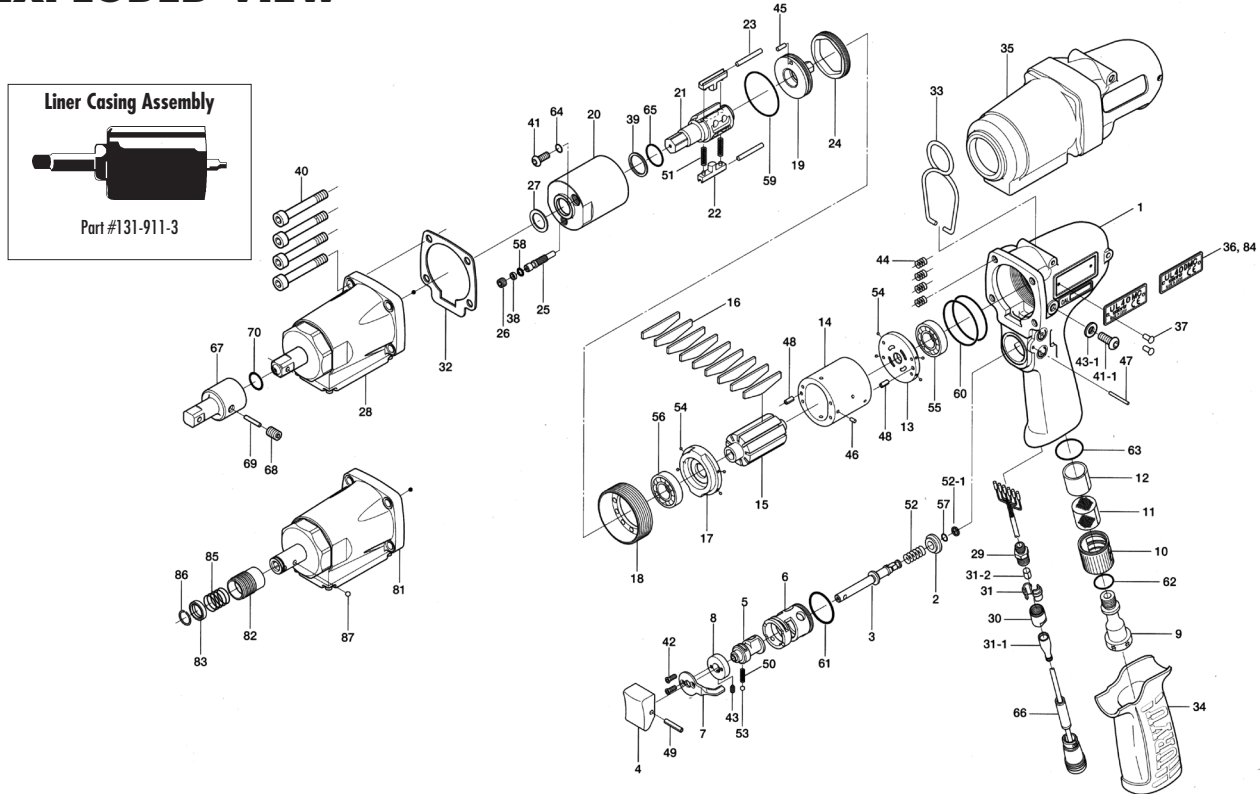


UL-40MC, UL-40DMC SERIES OIL-PULSE WRENCHES

EXPLODED VIEW



PARTS LIST — FOR REFERENCE ONLY

Index Number	Part Number	Description	Qty.	Index Number	Part Number	Description	Qty.	Index Number	Part Number	Description	Qty.
1	131-025-5	Handle	1	31-1	131-564-8	Lock Sleeve Cover	1	55	982-014-0	Ball Bearing (607)	1
2	147-100-3	Valve	1	31-2	131-395-8	Outer Ring	1	56	982-901-0	Ball Bearing (6900)	1
3	147-104-2	Valve Rod	1	32	149-867-2	Front Casing Packing	1	57	990-306-0	O-Ring (ARP-568-004) (H)	1
4	147-107-2	Valve Lever	1	33	143-790-3	Suspension Ring	1	58	990-320-0	O-Ring (ARP-568-003)	1 ●
5	851-306-1	Reverse Valve	1	34	131-842-6	Handle Cover	1	59	990-331-0	O-Ring (JW1530-21)	1 ●
6	851-359-1	Reverse Valve Bushing	1	35	17C-840-4	Handle Protector (Ro10)	1	60	990-337-0	O-Ring (JW1530-27)	2
7	173-212-0	Reverse Lever	1	36	131-924-3	Metal Tag	1	61	990-912-0	O-Ring (SNS-14)	1
8	851-307-1	Reverse Valve Spacer	1	37	930-205-0	Driver Screw Rivet (No.0 x 2.6)	2	62	990-914-0	O-Ring (SNS-16)	1
9	142-091-8	Air Inlet Bushing	1	38	944-002-0	Supporting Ring (2.6 x 4.5 x 1)	1 ●	63	990-916-0	O-Ring (SNS-18)	1
10	147-780-3	Exhaust Stack	1	39	944-212-0	Supporting Ring (12 x 16 x 1.5)	1 ●	64	990-971-0	O-Ring (SNS-3) (NOK)	1 ●
11	147-042-2	Silencer	1	40	945-117-0	Allen Head Bolt (M5 x 16)	4	65	992-020-0	O-Ring (SU-Q12) (NTN)	1 ●
12	145-835-8	Filter (K100)	1	41	945-942-0	Hexagon Round Head Bolt (M4 x 6)	1	66	911-061-0	Joint Cable Assembly	1
13	131-285-3	Rear Plate	1	41-1	945-949-0	Hexagon Round Head Bolt (M5 x 6)	1	67	904-090-0	Extension Bar (3/8 x 45) (MC)	1
14	131-286-3	Cylinder	1	42	948-422-0	Allen Flush Head Screw (M3 x 5)	2	68	953-104-0	Allen Head Flat Point Screw (M4 x 4)	1
15	143-287-0	Rotor	1	43	952-006-0	Allen Head Dog Point Screw (M3 x 6)	1	69	971-214-0	Pin (H) (3 x 14)	1
16	143-288-0	Blade	9	43-1	961-012-0	Flat Washer (5 mm)	1	70	990-011-0	O-Ring (P12)	1
17	131-289-3	Front Plate	1	44	965-011-0	Heli-Sert (M5 x 1.5D)	4	PARTS FOR UL-40DMC			
18	147-036-2	Hammer Casing Connector	1	45	970-148-0	Pin (H) (2.5 x 3.8)	1	81	851-678-1	Sensor Casing Assembly (S02D)	1
19	131-901-3	Rear Liner Plate	1	46	971-102-0	Pin (2 x 3.8)	1	82	011-351-1	Bit Sleeve (1/8)	1
20	136-902-5	Liner	1	47	971-130-0	Pin (2 x 30)	1	83	011-352-1	Bit Spacer	1
21	137-319-4	Anvil	1	48	973-008-0	Roll Pin (2 x 8)	2	84	130-924-6	Metal Tag	1
22	145-440-0	Driving Blade	2	49	973-014-0	Roll Pin (2 x 14)	1	85	976-327-0	Spring (13.5 x 11) (0.9)	1
23	145-974-0	Roller (2.5 x 21)	2	50	976-006-0	Spring (3 x 5) (0.4)	1	86	978-117-0	Snap Ring (11.7 x 1)	1
24	143-906-3	Liner Casing Cover	1	51	976-791-0	Spring (3.3 x 21) (0.4) WPC	2 ●	87	981-002-0	Ball (1/8)	1
25	136-907-7	Relief Valve Spindle	1	52	976-457-0	Spring (7 x 12) (0.9)	1	ACCESSORIES			
26	136-969-7	Relief Valve Plate	1	52-1	979-405-0	Outer Snap Ring (E2.5)	1	91	910-263-0	Sensor Cable Assembly (3F5)	1
27	178-327-0	Avil Front Spacer	1	53	981-002-0	Ball (1/8)	1	92	909-749-0	Solenoid Valve Assembly	1
28	851-677-1	Sensor Casing Assembly (S02S)	1	54	981-045-0	Ball (1.5 mm)	8				
29	851-301-1	Connector	1								
30	851-302-1	Cap	1								
31	851-303-1	Stopper	2								



10000 SE PINE
PORTLAND, OR 97216
503-254-6600
FAX 503-255-2615

When ordering spare parts, please specify
tool type, part number, and description.

FOOTNOTES

● = Items in Pulse Repair Kit UL-40MC-PRK