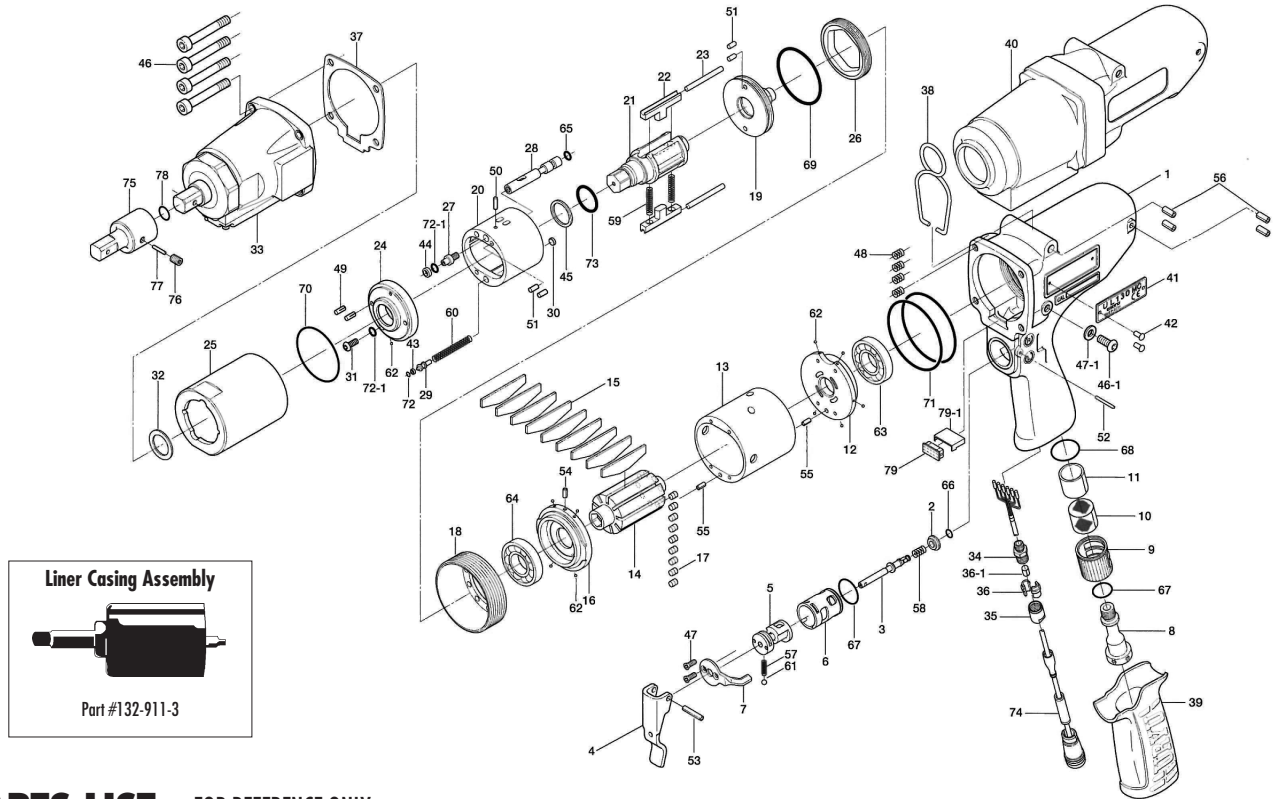


UL-130MC SERIES OIL-PULSE WRENCHES

EXPLODED VIEW



PARTS LIST — FOR REFERENCE ONLY

Index Number	Part Number	Description	Qty.	Index Number	Part Number	Description	Qty.	Index Number	Part Number	Description	Qty.
1	17F-025-7	Handle	1	33	851-693-1	Sensor Casing Assembly (S155L)	1	61	981-002-0	Ball (1/8)	1
2	130-100-2	Valve	1	34	851-301-1	Connector	1	62	981-045-0	Ball (1.5)	10
3	130-104-2	Valve Rod	1	35	851-302-1	Cap	1	63	982-950-0	Ball Bearing (16002)	1
4	130-107-2	Valve Lever	1	36	851-303-1	Stopper	2	64	982-905-0	Ball Bearing (6904)	1
5	130-210-2	Reverse Valve	1	36-1	131-395-8	Outer Ring	1	65	990-972-0	O-Ring (SNS-4) (NOK)	1 ●
6	130-211-2	Reverse Valve Bushing	1	37	132-867-3	Front Casing Packing	1	66	990-306-0	O-Ring (ARP568-004) (H)	1
7	130-212-2	Reverse Lever	1	38	174-790-0	Suspension Ring	1	67	990-916-0	O-Ring (SNS-18)	2
8	130-091-2	Air Inlet Bushing	1	39	130-842-2	Handle Cover	1	68	990-921-0	O-Ring (SNS-22.4)	1
9	130-780-2	Exhaust Stack	1	40	17F-840-7	Handle Protector (Ro10)	1	69	990-930-0	O-Ring (SNS-40)	1 ●
10	130-042-2	Silencer	1	41	132-924-3	Name Plate	1	70	990-932-0	O-Ring (SNS-42)	1 ●
11	130-835-3	Filter (K50)	1	42	930-205-0	Driver Screw Rivet No. 0 x 26	2	71	990-611-0	O-Ring (51.5 x 2)	2
12	130-285-2	Rear Plate	1	43	944-003-0	Supporting Ring (3 x 5 x 1)	1 ●	72	990-970-0	O-Ring (SNS-2) (NOK)	1 ●
13	123-286-6	Cylinder	1	44	944-205-0	Supporting Ring (5.1 x 7 x 1)	1 ●	72-1	990-971-0	O-Ring (SNS-3) (NOK)	2 ●
14	123-287-6	Rotor	1	45	944-215-0	Supporting Ring (16 x 19.9 x 1.5)	1 ●	73	992-021-0	O-Ring (Q16) (NTN)	1 ●
15	123-288-6	Blade (PC)	9	46	945-420-0	Allen Head Bolt (M6 x 20)	4	74	911-061-0	Joint Cable Assembly	1
16	123-289-6	Front Plate	1	46-1	945-949-0	Hexagon Round Head Bolt (M5 x 6)	1	75	904-190-0	Extension Bar (1/2 x 60) (MC)	1
17	148-064-2	Plug	9	47	948-422-0	Allen Flush Head Screw (M3 x 5)	2	76	953-205-0	Allen Head Flat Point Screw (M5 x 5)	1
18	123-036-6	Hammer Casing Connector	1	47-1	961-012-0	Flat Washer (5 mm)	1	77	971-220-0	Pin (3 x 20)	1
19	123-901-6	Rear Liner Plate	1	48	965-021-0	Heli-Sert (M6 x 1.5D)	4	78	990-016-0	O-Ring (P16)	1
20	130-902-2	Liner	1	49	969-450-0	Pin (G) (3 x 8)	2	79	909-918-0	Double-Row Socket (DF11-12D-2C)	1
21	123-319-7	Anvil	1	50	970-092-0	Pin (H) (2 x 5.5)	1	79-1	911-017-0	Connector Cover	1
22	130-440-2	Driving Blade	2	51	970-206-0	Pin (H) (3 x 8)	4				
23	130-974-2	Roller Pin (3 x 40)	2	52	971-126-0	Pin (2 x 26)	1				
24	130-904-2	Front Liner Plate	1	53	973-120-0	Roll Pin (3 x 20)	1				
25	130-905-2	Liner Casing	1	54	973-006-0	Roll Pin (2 x 6)	1				
26	130-906-2	Liner Casing Cover	1	55	973-108-0	Roll Pin (3 x 8)	2				
27	175-907-9	Relief Valve Spindle	1	56	973-308-0	Roll Pin (5 x 8)	4				
28	130-970-2	Relief Valve	1	57	976-006-0	Spring (3 x 5) (0.4)	1				
29	130-972-2	Accumulator	1	58	976-643-0	Spring (7.5 x 9.7) (0.9)	1				
30	148-908-2	Accumulator Cover	1	59	976-807-0	Spring (4.5 x 38) (0.6) WPC	2 ●				
31	945-942-0	Hexagon Round Head Bolt (M4 x 6)	1	60	976-721-0	Spring (4.8 x 34.5) (0.7)	1				
32	147-327-9	Anvil Front Spacer	1								

ACCESSORIES

80	909-749-0	Solenoid Valve Assembly	1
81	909-109-0	Allen Wrench (2)	1
82	909-105-0	Allen Wrench (4)	1

OPTIONAL ACCESSORIES

84	910-263-0	Sensor Cable Assembly (3F5)	1
85	910-633-0	Connector Cover	1

FOOTNOTES

● = Items in Pulse Repair Kit UL-130MC-PRK



10000 SE PINE
PORTLAND, OR 97216
503-254-6600
FAX 503-255-2615

When ordering spare parts, please specify tool type, part number, and description.