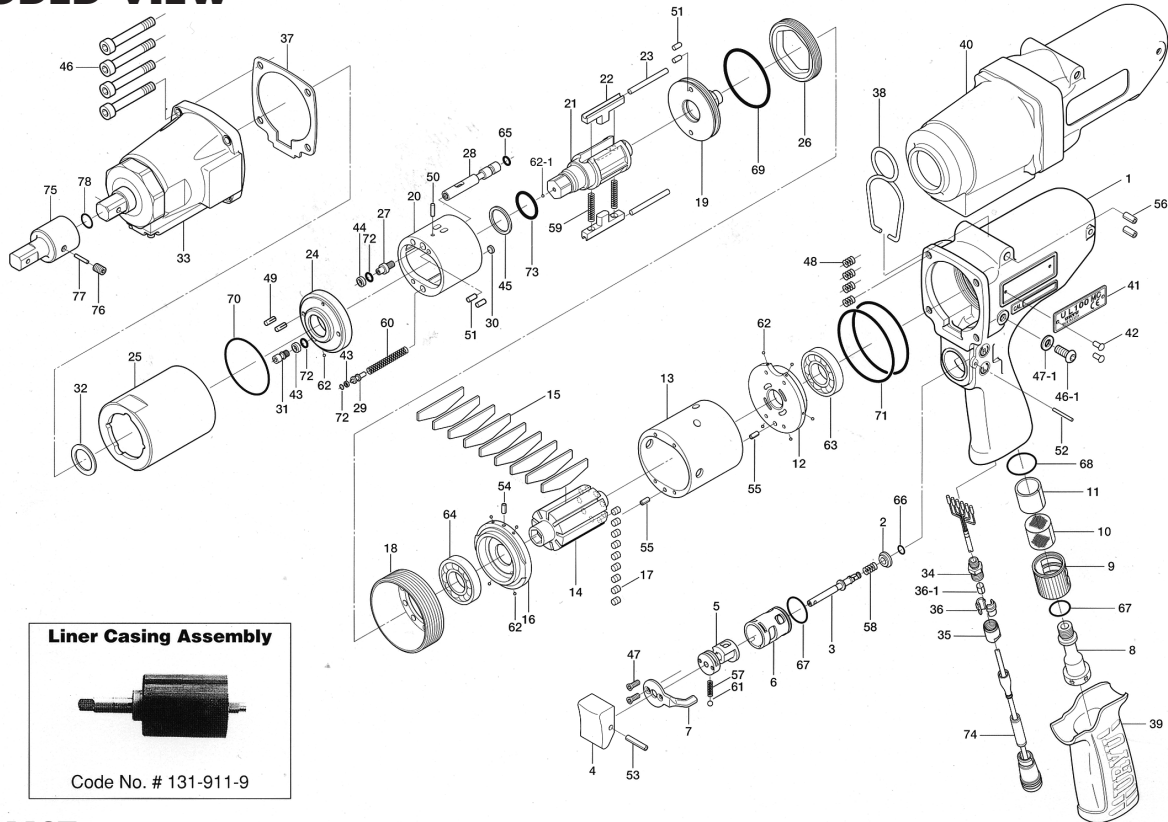


UL-100MC SERIES OIL-PULSE WRENCHES

EXPLODED VIEW



PARTS LIST — FOR REFERENCE ONLY

| Index Number | Part Number | Description | Qty. | Index Number | Part Number | Description | Qty. | Index Number | Part Number | Description | Qty. |
|--------------|-------------|-------------------------|------|--------------|-------------|------------------------------------|------|--------------|-------------|--------------------------------------|------|
| 1 | 17F-025-3 | Handle | 1 | 32 | 147-327-9 | Anvil Front Spacer | 1 | 57 | 976-006-0 | Spring (3 x 5) | 1 |
| 2 | 147-100-8 | Valve | 1 | 33 | 851-692-1 | Sensor Casing Assembly (S12SL) | 1 | 58 | 976-643-0 | Spring (7.5 x 9.7)(0.9) | 1 |
| 3 | 147-104-8 | Valve Rod | 1 | 34 | 851-301-1 | Connector | 1 | 59 | 976-783-0 | Spring 4.3 x 36(0.55) | 2 ● |
| 4 | 147-107-2 | Valve Lever | 1 | 35 | 851-302-1 | Cap | 1 | 60 | 976-699-0 | Spring 4.8 x 29.5(0.6) | 1 ● |
| 5 | 147-210-8 | Reverse Valve | 1 | 36 | 851-303-1 | Stopper | 2 | 61 | 981-002-0 | Ball (1/8) | 1 |
| 6 | 147-211-8 | Reverse Valve Bushing | 1 | 36-1 | 131-395-8 | Outer Ring | 1 | 62 | 981-045-0 | Ball (1.5) | 10 |
| 7 | 147-212-8 | Reverse Lever | 1 | 37 | 131-867-9 | Front Casing Packing | 1 | 62-1 | 987-222-0 | Ball (17/64) | 1 |
| 8 | 148-091-3 | Air Inlet Bushing | 1 | 38 | 174-790-0 | Suspension Ring | 1 | 63 | 982-949-0 | Ball Bearing (16001) | 1 |
| 9 | 147-780-9 | Exhaust Stack | 1 | 39 | 131-842-6 | Handle Cover | 1 | 64 | 982-950-0 | Ball Bearing (16002) | 1 ■ |
| 10 | 147-042-8 | Silencer | 1 | 40 | 17F-840-3 | Handle Protector (Ro10) | 1 | 65 | 990-320-0 | O-Ring (ARP568-003) | 1 ● |
| 11 | 148-835-2 | Filter (K50) | 1 ■ | 41 | 131-924-9 | Metal Tag | 1 | 66 | 990-306-0 | O-Ring (ARP-568-004)(H) | 1 |
| 12 | 148-285-2 | Rear Plate | 1 | 42 | 930-205-0 | Driver Rivet No. 0 x 2.6 | 2 | 67 | 990-914-0 | O-Ring (SNS-16) | 2 |
| 13 | 155-286-0 | Cylinder | 1 | 43 | 944-003-0 | Supporting Ring (3.0 x 5.0 x 1) | 2 ● | 68 | 990-919-0 | O-Ring (SNS-22) | 1 |
| 14 | 148-287-2 | Rotor | 1 | 44 | 944-203-0 | Back-up Ring (3.1 x 5 x 1) | 1 ● | 69 | 990-929-0 | O-Ring (SNS-36) | 1 ● |
| 15 | 148-288-2 | Blade (PC) | 9 ■ | 45 | 944-215-0 | Supporting Ring (1.6 x 19.9 x 1.5) | 1 ● | 70 | 990-928-0 | O-Ring (SNS-38) | 1 ● |
| 16 | 148-289-2 | Front Plate | 1 | 46 | 945-117-0 | Allen Head Bolt (M5 x 16) | 4 | 71 | 990-938-0 | O-Ring (SNS-48) | 2 ■ |
| 17 | 148-064-2 | Plug | 9 | 46-1 | 945-949-0 | Hexagon Round Head Bolt (M5 x 6) | 1 ■ | 72 | 990-970-0 | O-Ring (SNS-2) | 3 ● |
| 18 | 148-036-2 | Hammer Casing Connector | 1 | 47 | 948-422-0 | Allen Flush Head Screw (M3 x 5) | 2 | 73 | 992-021-0 | Slit-Ring (Q16)(NTN) | 1 ● |
| 19 | 851-312-1 | Rear Liner Plate | 1 | 47-1 | 961-012-0 | Flat Washer (5 mm) | 1 | 74 | 911-061-0 | Joint Cable Assembly | 1 |
| 20 | 148-902-2 | Liner | 1 | 48 | 965-011-0 | Held-sell (M5 x .5D) | 4 | 75 | 904-190-0 | Extension Bar (1/2 x 60) (MC) | 1 |
| 21 | 073-319-1 | Anvil | 1 | 49 | 969-450-0 | Pin (G) (3 x 8) | 2 | 76 | 953-205-0 | Allen Head Flat Point Screw (M5 x 5) | 1 |
| 22 | 148-440-2 | Driving Blade | 2 | 50 | 970-091-0 | Pin (H) (2 x 4.5) | 1 | 77 | 971-220-0 | Pin (3 x 20) | 1 |
| 23 | 148-974-2 | Roller Pin (3 x 35) | 2 | 51 | 970-205-0 | Pin (H) (3 x 7) | 4 | 78 | 990-016-0 | O-Ring (P16) | 1 |
| 24 | 148-904-2 | Front Liner Plate | 1 | 52 | 971-125-0 | Pin (2 x 25) | 1 | | | | |
| 25 | 148-905-2 | Liner Casing | 1 | 53 | 973-014-0 | Roll Pin (2 x 14) | 1 | | | | |
| 26 | 148-906-2 | Liner Casing Cover | 1 | 54 | 973-006-0 | Roll Pin (2 x 6) | 1 | | | | |
| 27 | 174-907-2 | Relief Valve Spindle | 1 | 55 | 973-068-0 | Roll Pin (2.5 x 8) | 2 | | | | |
| 28 | 148-970-2 | Relief Valve | 1 | 56 | 973-308-0 | Roll Pin (5 x 8) | 2 | | | | |
| 29 | 147-972-8 | Accumulator | 1 | | | | | | | | |
| 30 | 148-908-2 | Accumulator Cover | 1 | | | | | | | | |
| 31 | 194-742-3 | Oil Plug | 1 | | | | | | | | |

ACCESSORIES

| | | | |
|----|-----------|----------------------------|---|
| 81 | 910-263-0 | Sensor Cale Assembly (3F5) | 1 |
| 82 | 909-749-0 | Solenoid Valve Assembly | 1 |

OPTIONAL ACCESSORIES

| | | | |
|----|-----------|-----------------|---|
| 91 | 910-633-0 | Connector Cover | 1 |
|----|-----------|-----------------|---|

FOOTNOTES

- = Items in Pulse Repair Kit UL-100MC-PRK
- = Items in Repair Kit UL-100MC-RK



10000 SE PINE
PORTLAND, OR 97216
503-254-6600
FAX 503-255-2615

When ordering spare parts, please specify
tool type, part number, and description.