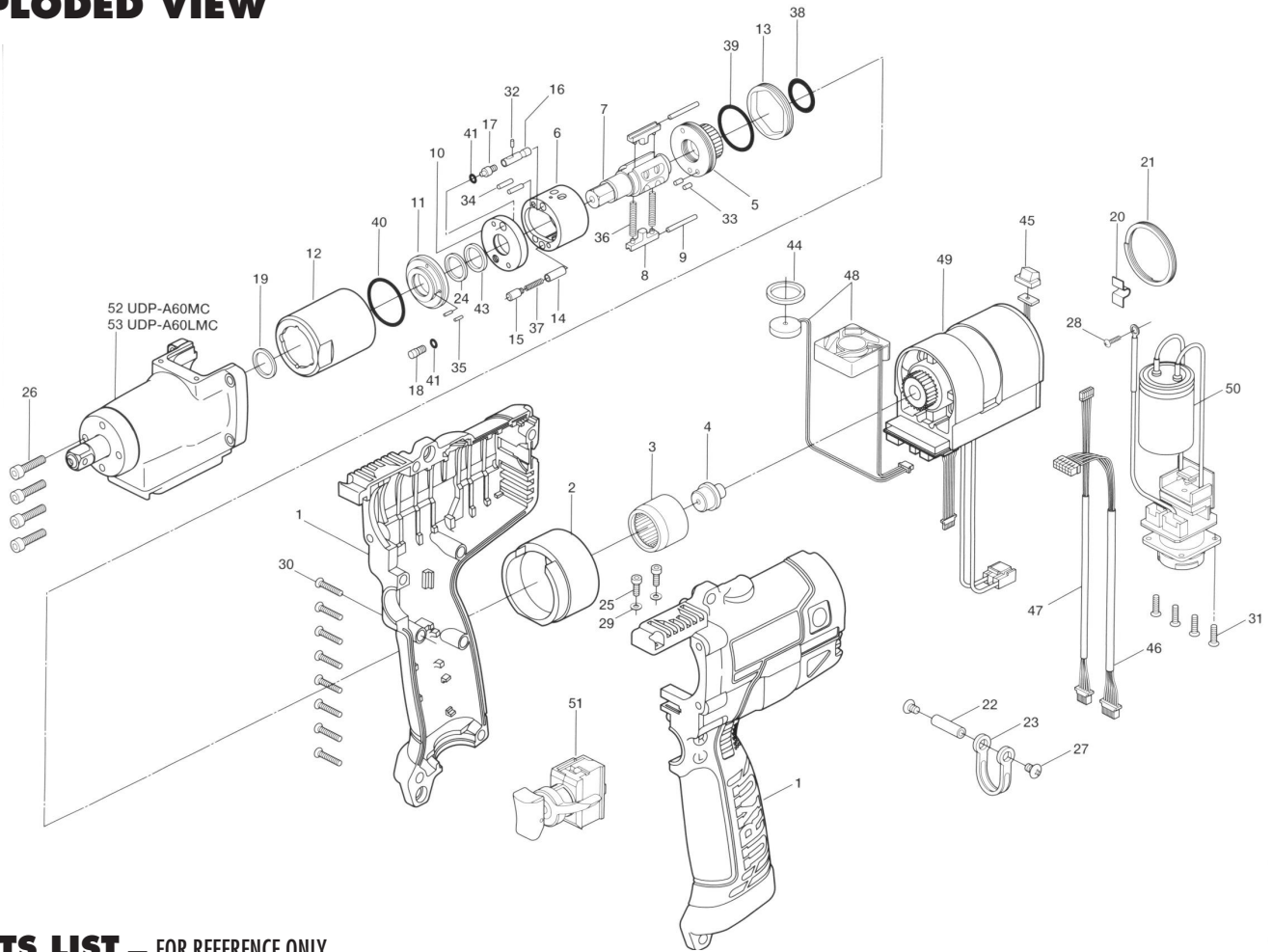


UDP-A60MC, LMC, & (TL) SERIES OIL PULSE WRENCHES

EXPLODED VIEW



PARTS LIST — FOR REFERENCE ONLY

Index Number	Part Number	Description	Qty.	Index Number	Part Number	Description	Qty.	Index Number	Part Number	Description	Qty.
COMMON PARTS											
1	073-025-4	Handle Set	1	25	945-000-0	Allen Head Bolt (M3 x 8)	2	50	910-970-0	Power Board Assembly	1
2	073-255-4	Regulator Barrel	1	26	945-018-0	Allen Head Bolt (M4 x 18)	4	51	098-174-4	Switch Assembly	1
3	073-465-4	Internal Gear	1	27	945-941-0	Hexagon Head Bolt (M4 x 5)	2	PARTS FOR UDP-A60MC			
4	073-567-4	Bushing	1	28	948-001-0	Round Head Screw (M2.6 x 8)	1	52	851-666-1	Sensor Cable Assembly (WD04S)	1
5	073-901-4	Rear Liner Plate	1	29	961-008-0	Flat Washer (3)	2	PARTS FOR UDP-A60LMC			
6	188-902-2	Liner	1	30	963-253-0	Tapping Screw (3 x 16)	8	53	851-667-1	Sensor Cable Assembly (WD025S)	1
7	137-319-4	Anvil	1	31	963-252-0	Tapping Screw (3 x 10)	4	PARTS FOR UDP-A60MC(TL)			
8	145-440-0	Driving Blade	2	32	970-013-0	Pin (H) (1.5 x 4)	1	Following are needed in place of #1, #31, & #50			
9	145-974-0	Roller (2.5 x 21)	2	33	970-130-0	Pin (H) (2.45 x 4.5)	2	54	073-025-5	Handle Set	1
10	18C-973-8	Liner Casing Spacer	1	34	970-131-0	Pin (H) (2.45 x 9.5)	2	55	073-012-4	Handle Cover	1
11	145-904-6	Front Liner Plate	1	35	973-040-0	Roll Pin (1.5 x 5)	2	56	910-969-0	Power Board Assembly	1
12	17C-905-4	Liner Casing	1	36	976-791-0	Spring (3.3 x 21) WPC	2	57	957-006-0	Cross Head Screw (M3 x 6)	4
13	145-906-6	Liner Casing Cover	1	37	976-778-0	Spring (3 x 12.1)	1	58	979-320-0	Inner Snap Ring (IRTW 0)	1
14	080-274-6	Spring Holder	1	38	990-016-0	O-Ring (P16)	1	59	990-919-0	O-Ring (SNS-22)	1
15	17C-276-4	Adjusting Valve	1	39	990-329-0	O-Ring (JW1530-19)	1	ACCESSORIES			
16	17C-970-4	Relief Valve	1	40	990-605-0	O-Ring (25 x 1.45)	1	60	910-974-0	Joint Cable Assembly UDP 5M	1
17	145-907-6	Relief Valve Spindle	1	41	990-900-0	O-Ring (SNS-2)	2	61	910-975-0	Joint Cable Assembly UDP 10M	1
18	194-742-0	Oil Plug	1	43	991-030-0	X-Ring	1				
19	145-327-7	Anvil Front Spacer	1	44	993-102-0	Rubber Ring (16 x 20.5 x 2)	1				
20	073-792-4	Suspension Bushing	1	45	910-580-0	Front Cover	1				
21	004-790-2	Suspension Ring	1	46	910-971-0	Sensor Cable	1				
22	136-791-7	Suspension Bail Base	1	47	910-817-0	Communication Cable	1				
23	136-790-7	Suspension Bail	1	48	910-401-0	Fan and Buzzer Assembly	1				
24	944-213-0	Back-up Ring (12 x 16 x 1.0)	1	49	910-576-0	Motor Assembly	1				



10000 SE PINE
PORTLAND, OR 97216
503-254-6600
FAX 503-255-2615

When ordering spare parts, please specify
tool type, part number, and description.

FOOTNOTES