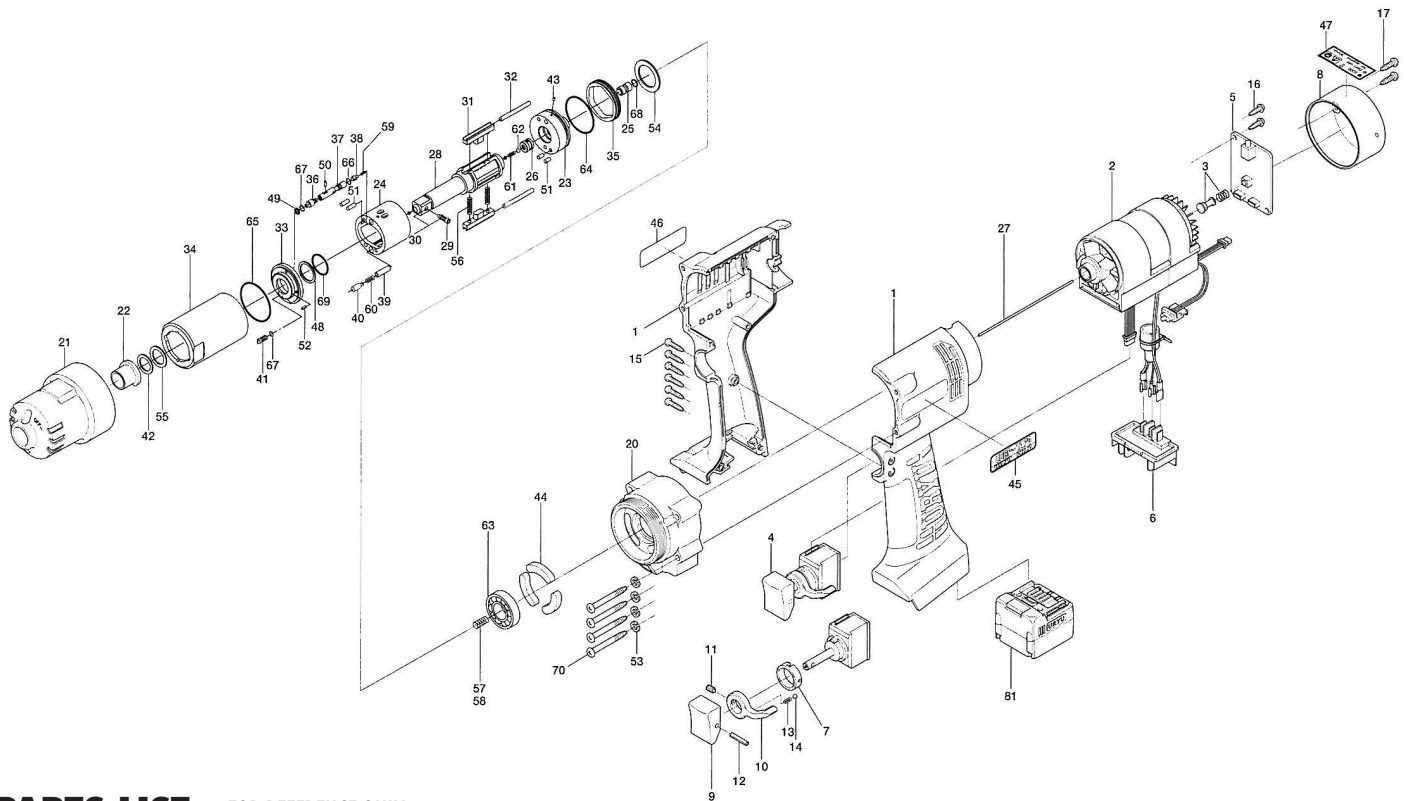


UDBP-TA70, TA70(P) SERIES BATTERY OIL-PULSE TOOL

EXPLODED VIEW



PARTS LIST — FOR REFERENCE ONLY

Index Number	Part Number	Description	Qty.	Index Number	Part Number	Description	Qty.	Index Number	Part Number	Description	Qty.
863-970-1 Handle Assembly											
1	863-958-1	Handle (R & L)	1	31	147-440-6	Driving Blade	2	61	976-884-0	Spring (2.4 x 5.4)	1
2	863-954-1	Motor Assembly	1	32	147-974-6	Roller Pin (2.5 x 28)	2	62	981-001-0	Ball (3/32)	1
3	861-173-1	Slide Base Assembly	1	33	18E-904-3	Front Liner Plate	1	63	982-902-0	Ball Bearing (6901)	1
4	09B-174-4	Switch Assembly	1	34	147-905-6	Liner Casing	1	64	990-923-0	O-Ring (SNS-26)	1
5	863-972-1	Operating Board (with LED)	1	35	147-906-6	Liner Casing Cover	1	65	990-334-0	O-Ring (JW-1530-24)	1
6	861-194-1	Battery Contact	1	36	174-907-2	Relief Valve Spindle	1	66	990-621-0	O-Ring (3.8 x 1.8 x 1.0)	1
7	861-177-1	Sleeve	1	37	083-970-7	Relief Valve	1	67	990-970-0	O-Ring (SNS-2)	2
8	861-178-1	Handle Cover	1	38	144-270-0	Pressure Regulator Valve	1	68	991-025-0	X-Ring (4.7 x 2.2 x 1.25)	1
9	147-107-2	Valve Lever	1	39	18F-274-2	Spring Holder	1	69	991-030-0	X-Ring (x12)	1
10	09B-212-4	Reverse Lever	1	40	18E-276-3	Pressure Adjusting Valve	1	70	963-366-0	Tapping Screw (M4 x 55)	4
11	973-018-0	Roll Pin (2 x 18)	1	41	194-742-0	Oil Plug	1	ACCESSORIES			
12	973-014-0	Roll Pin (2 x 14)	1	42	178-327-0	Anvil Front Spacer	1	80	939-091-0	Allen Wrench (1.5)	1
13	976-006-0	Spring (3 x 5)	1	43	147-064-6	Plug	1	81	861-187-1	Battery (UB333Li)	1
14	981-002-0	Ball (1/8)	1	44	080-835-3	Filter	3	82	861-185-1	Battery Charger (UBC-A) with Power Cable	1
15	861-179-1	Tapping Screw	7	45	083-924-9	Name Plate UDBP-TA70(P)	1	83	861-186-1	Battery Charger (UBC-E) with Power Cable	1
16	861-180-1	Tapping Screw	2	46	094-997-4	Plate (Address & Others)	1	84	861-196-1	Power Cable for UBC-A	1
17	861-181-1	Tapping Screw	2	47	094-995-4	Plate (Warning)	1	85	861-197-1	Power Cable for UBC-E	1
20	098-065-7	Handle Front Cover	1	48	944-013-0	Back-up Ring (P-12)	1				
21	094-439-5	Front Casing	1	49	944-203-0	Back-up Ring (3.1 x 5 x 1)	1				
22	190-328-6	Anvil Bushing	1	50	970-013-0	Pin (H)(1.5 x 4)	1				
23	18E-901-3	Rear Liner Plate	1	51	970-202-0	Pin (H)(3 x 4.5)	4				
24	18E-902-3	Liner	1	52	969-449-0	Pin(G)(3 x 6)	1				
25	145-546-6	Piston	1	53	962-006-0	Spring Washer (2-4S)	4				
26	130-929-4	Check Valve Cover	1	54	975-752-0	Adjusting Spacer (15 x 10 x t)	1				
27	098-130-7	Operating Rod (1.4 x 103.2)	1	55	975-754-0	Adjusting Spacer (17x12.5 x t)	1				
28	18E-319-3	Anvil	1	56	976-788-0	Spring (3.5 x 25) WPC	2				
29	891-300-1	Socket Pin Assembly	1	57	976-662-0	Spring (3.3 x 18) Strong	1				
30	891-550-1	Anvil Assembly	1	58	976-857-0	Spring (3.3 x 17) Medium	1				
				59	976-848-0	Spring (2.8 x 7.1)	1				
				60	976-877-0	Spring (3 x 14)	1				



10000 SE PINE
PORTLAND, OR 97216
503-254-6600
FAX 503-255-2615

When ordering spare parts, please specify tool type, part number, and description.

FOOTNOTES