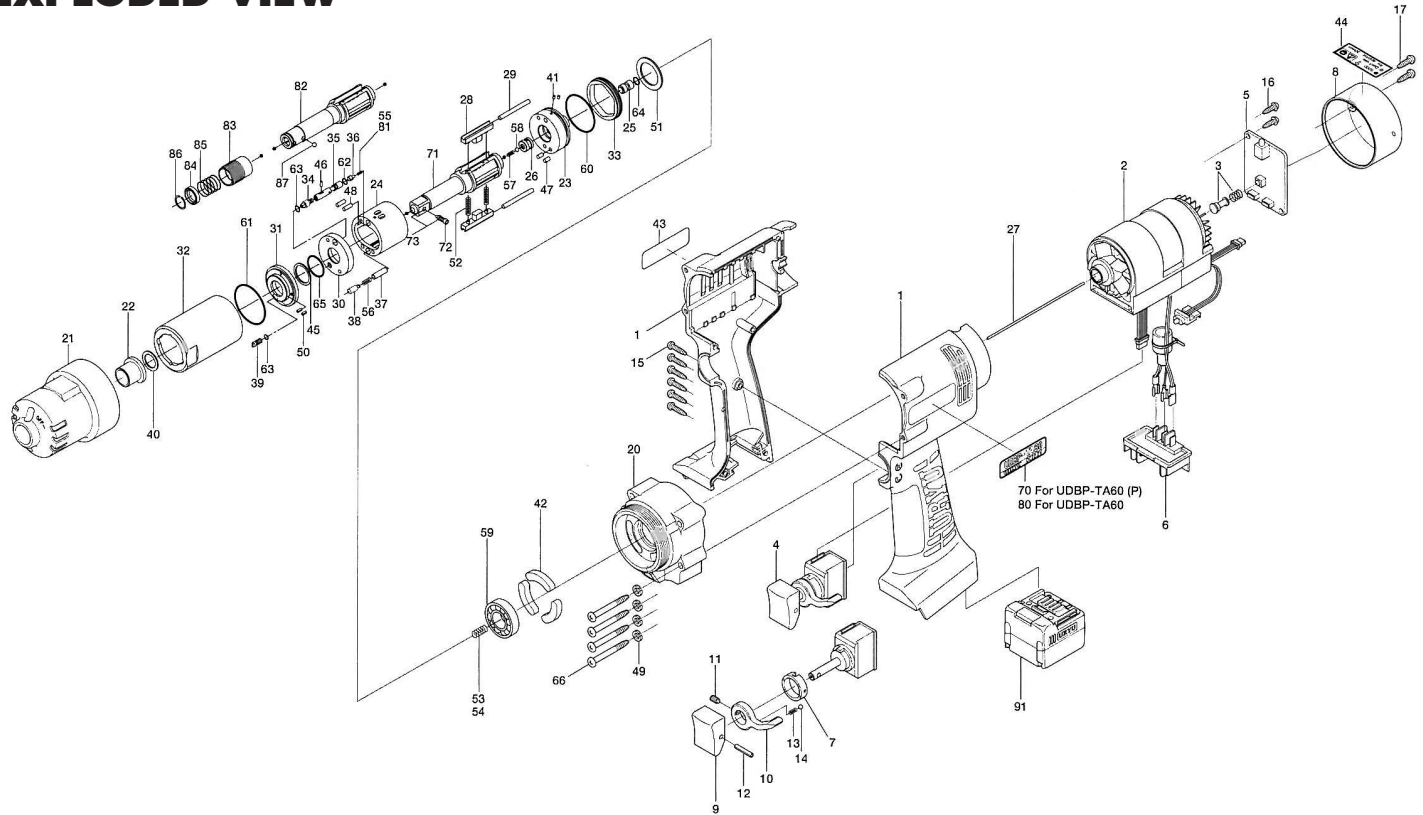


# UDBP-TA60 SERIES BATTERY OIL-PULSE TOOL

## EXPLODED VIEW



## PARTS LIST — FOR REFERENCE ONLY

Index Number	Part Number	Description	Qty.	Index Number	Part Number	Description	Qty.	Index Number	Part Number	Description	Qty.
863-989-1		Handle Assembly	1	33	145-906-6	Liner Casing Cover	1	65	991-030-0	X-Ring (X12)	1 ●
1	863-958-1	Handle (R & L)	1	34	145-907-6	Relief Valve Spindle	1	66	963-364-0	Tapping Screw (M4 x 40)	4
2	861-172-1	Motor Assembly	1	35	094-970-4	Relief Valve	1	<b>FOR UDBP-TA60 (P)</b>			
3	861-173-1	Slide Base Assembly	1	36	144-270-0	Pressure Regulator Valve	1	70	081-924-8	Name Plate UDBP-TA60(P)	1
4	09B-174-4	Switch Assembly	1	37	080-274-6	Spring Holder	1	55	976-636-0	Spring (2.8 x 7.4)	1
5	863-972-1	Operating Board (with LED)	1	38	080-276-6	Pressure Adjusting Valve	1	71	094-319-4	Anvil	1
6	861-176-1	Battery Contact	1	39	194-742-0	Oil Plug	1	72	891-300-1	Socket Pin Assembly	1
7	861-177-1	Sleeve	1	40	145-327-7	Anvil Front Spacer	1	73	891-570-1	Anvil Assembly	1
8	861-178-1	Handle Cover	1	41	150-064-5	Plug	2	<b>FOR UDBP-TA60</b>			
9	147-107-2	Valve Lever	1	42	080-835-3	Filter	3	80	081-924-5	Name Plate UDBP-TA60	1
10	09B-212-4	Reverse Lever	1	43	094-997-4	Plate (Address & Others)	1	81	976-883-0	Spring (2.8 x 7.6) (0.4)	1 ●
11	973-018-0	Roll Pin (2 x 18)	1	44	094-995-4	Plate (Warning)	1	82	145-350-7	Driver Anvil	1
12	973-014-0	Roll Pin (2 x 14)	1	45	944-212-0	Back-up Ring (12 x 16 x 1.5)	1 ●	83	011-351-1	Bit Sleeve	1
13	976-006-0	Spring (3 x 5)	1	46	970-013-0	Pin(H)(1.5 x 4)	1	84	011-352-1	Bit Spacer	1
14	981-002-0	Ball (1/8)	1	47	970-130-0	Pin (H)(2.45 x 4.5)	2	85	976-327-0	Spring (13.5 x 11)	1
15	861-179-1	Tapping Screw	7	48	970-131-0	Pin (H)(2.45 x 9.5)	2	86	978-117-0	Snap Ring (11.7 x 1)	1
16	861-180-1	Tapping Screw	2	49	962-006-0	Spring Washer (2-45)	4	87	981-002-0	Ball (1/8)	1
17	861-181-1	Tapping Screw	2	50	973-040-0	Roll Pin (1.5 x 5)	2	<b>ACCESSORIES</b>			
20	094-065-5	Handle Front Cover	1	51	975-752-0	Adjusting Spacer (15 x 10 x t)	1	90	939-091-0	Allen Wrench (1.5)	1
21	094-439-5	Front Casing	1	52	976-805-0	Spring (3.5 x 25.2) WPC	2 ●	91	861-182-1	Battery (UB222Li)	1
22	190-328-6	Anvil Bushing	1	53	976-985-0	Spring (3.3 x 18) Strong	1	92	861-185-1	Battery Charger (UBC-A) with Power Cord	1
23	18C-901-8	Rear Liner Plate	1	54	976-662-0	Spring (3.3 x 18) Medium	1	93	861-186-1	Battery Charger (UBC-E) with Power Cord	1
24	080-902-6	Liner	1	54-1	976-857-0	Spring (3.3 x 17) Weak	1	94	861-196-1	Power Cord for UBC-A	1
25	145-546-6	Piston	1	56	976-841-0	Spring (3 x 11.4)	1 ●	95	861-197-1	Power Cord for UBC-E	1
26	145-929-6	Check Valve Cover	1	57	976-526-0	Spring (2.4 x 5.5) (0.26)	1 ●	96	916-810-0	Double Bit (No. 2 x 75) for Driver Anvil	1
27	094-130-7	Operating Rod (1.4 x 93.2)	1	58	981-001-0	Ball (3/32)	1				
28	145-440-6	Driving Blade	2	59	982-902-0	Ball Bearing (6901)	1				
29	145-974-6	Roller Pin (2.5 x 26)	2	60	990-329-0	O-Ring (JW-1530-19)	1 ●				
30	18C-973-8	Liner Casing Spacer	1	61	990-605-0	O-Ring (25 x 28 x 1.45)	1 ●				
31	145-904-6	Front Liner Plate	1	62	990-621-0	O-Ring (3.8 x 1.8 x 1.0)	1 ●				
32	145-905-6	Liner Casing	1	63	990-900-0	O-Ring (SNS-2)	2 ●				
				64	991-025-0	X-Ring (4.7 x 2.2 x 1.25)	1 ●				



10000 SE PINE  
PORTLAND, OR 97216  
503-254-6600  
FAX 503-255-2615

When ordering spare parts, please specify tool type, part number, and description.

### FOOTNOTES

● = Items in Pulse Repair Kit UDBP-TA60-PRK