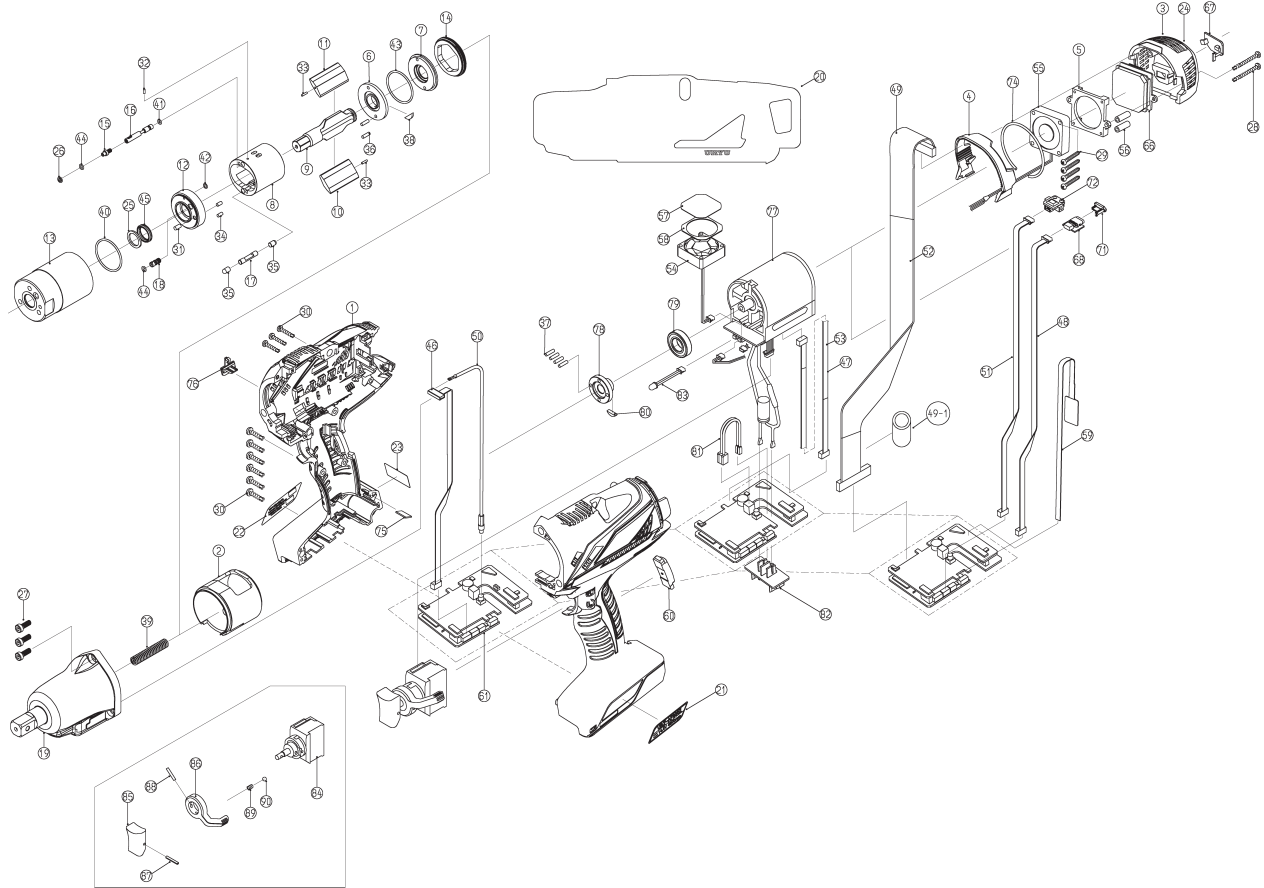


UBX-AF900Z CORDLESS TRANSDUCERIZED PULSE TOOL

EXPLODED VIEW



PARTS LIST — FOR REFERENCE ONLY

Index Number	Part Number	Description	Qty.	Index Number	Part Number	Description	Qty.	Index Number	Part Number	Description	Qty.
1	12A-025-3	Body	1	31	969-449-0	Pin (G) 3 x 6	1 ●	66	910-374-0	ZigBee Board Assembly	1
2	12A-255-7	Regulator Barrel	1	32	970-013-0	Pin (H) 1.5 x 4	1 ●	67	910-448-0	Body Cover	1
3	12A-012-7	Head Cover	1	33	970-014-0	Pin (H) 1.5 x 6.8	2	68	910-458-0	Communication Board Assembly	1
4	12A-013-3	Body Lid	1	34	970-147-0	Pin (H) 2.5 x 5	2 ●	71	910-459-0	Communication Board Assembly Cover	1
5	12A-836-7	Handle Mounting Plate	1	35	970-307-0	Pin (H) 4 x 7	2 ●	72	910-466-0	Judgement LED Board Assembly	1
6	12A-901-3	Rear Liner Plate	1 ●	36	972-033-0	Roller Pin 2.5 x 8	2 ●	74	910-449-0	Elastomer Tube	1
7	12A-310-3	Anvil Rear Spacer	1 ●	37	972-087-0	Roller Pin 3 x 6	4	75	910-404-0	Remaining Display Cover	1
8	12A-902-8	Liner	1 ●	38	974-961-0	Woodruff Key 1.5 x 15.8	1 ●	76	910-455-0	Motor Connector Cover	1
9	12A-319-7	Anvil Rear Spacer	1 ●	39	976-868-0	Spring 7.5 x .39 (1.0)	1 ●	77	910-656-0	Motor Assembly L=35	1
10	12F-440-5	Driving Blade (A)	1 ●	40	990-334-0	O-Ring JW1530-24	1 ●	78	12A-079-5	Connector	1
11	12F-440-6	Driving Blade (B)	1 ●	41	990-621-0	O-Ring 3.8 x 1.8 x 1.0	1 ●	79	982-922-0	Ball Bearing 6901ZZ	1
12	12F-904-0	Front Liner Plate	1 ●	42	990-623-0	O-Ring 4.6 x 3.0 x 0.8	1 ●	80	974-952-0	Woodruff Key 3 x 12 (3)	1
13	12F-905-6	Liner Casing	1 ●	43	990-985-0	O-Ring SNS-28 (NOK)	1 ●	81	910-447-0	Battery Cable Assembly (Ro10)	1
14	12A-906-3	Liner Casing Cover	1 ●	44	990-970-0	O-Ring SNS-2 (NOK)	2 ●	82	910-383-0	Battery Contact	1
15	174-907-2	Relief Valve Spindle	1 ●	45	991-030-0	X-Ring X12	1 ●	83	910-469-0	Motor LED Cable Assembly (Ro10)	1
16	12A-970-7	Relief Valve	1 ●	46	910-230-0	Sensor Cable Assembly (Ro10)	1	84	910-475-0	Switch Assembly	1
17	12F-276-6	Pressure Regulator Valve Body	1 ●	47	910-425-0	Motor Communication Assembly (Ro10)	1	85	147-107-2	Valve Lever	1
18	194-742-0	Oil Plug	1 ●	48	910-232-0	Communication Cable Assembly (Ro10)	1	86	09B-212-5	Reverse Lever	1
19	12A-975-7	Sensor Casing Assembly (AD12S)	1	49	911-231-0	ZigBee Cable Assembly (Ro10) 283	1	87	973-014-0	Roller Pin 2 x 14	1
20	12A-840-7	Casing Protector	1	49-1	910-480-0	Toroidal Core 13-8-6	1	88	973-018-0	Roller Pin 2 x 18	1
21	12A-924-8	Metal Tag (3STEP)	1	50	910-428-0	Coaxial Cable Assembly (Ro10)	1	89	976-006-0	Spring 3 x 5 (0.4)	1
22	12A-944-3	Stickter (Address CE)	1	51	910-235-0	Judgement LED Cable Assembly (Ro10)	1	90	981-002-0	Ball 1/8	1
23	12A-993-3	Stickter (Battery Level)	1	52	910-478-0	Noise Sheet ML010 38 x 190HC	1	OPTIONAL			
24	910-639-0	Stickter (UBX-AF900Z)	1	53	910-479-0	Noise Sheet ML010 18 x 140HC	1	910-391-0	ZigBee Base Unit UZig01	1	
25	944-013-0	Back-Up Ring (P-12)	1 ●	54	910-438-0	Fan Assembly 30	1	910-393-0	ZigBee Communication Cable 5M	1	
26	944-203-0	Back-Up Ring 3.1 x 5 x 1	1 ●	55	911-230-0	Fan Assembly 35	1	910-020-0	PC Cable	1	
27	945-541-0	Allen Head Bolt M5 x 12	3	56	911-035-0	Spacer CT-2615	2	136-790-7	Suspension Bail	1	
28	963-259-0	Round Head Tapping Screw (A) M2.6 x 35	2	57	910-476-0	Nylon Mesh	1	136-791-7	Suspension Bail Base	1	
29	963-258-0	Round Head Tapping Screw (B1) M2.6 x 16	4	58	910-477-0	Mesh Board	1	945-941-0	Hexagon Round Head Bolt (M4 x 5)	2	
30	963-253-0	Tapping Screw 3 x 16	9	59	910-384-0	Grip Switch	1				
				60	910-409-0	Grip Switch Board	1				
				61	910-434-0	Controller Board Assembly (UBX)	1				



10000 SE PINE
PORTLAND, OR 97216
503-254-6600
FAX 503-255-2615

When ordering spare parts, please specify tool type, part number, and description.

FOOTNOTES

● = Items in Liner Casing Assembly 12A-911-7 for UBX-AF900Z