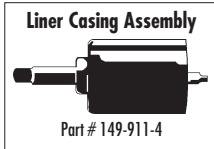
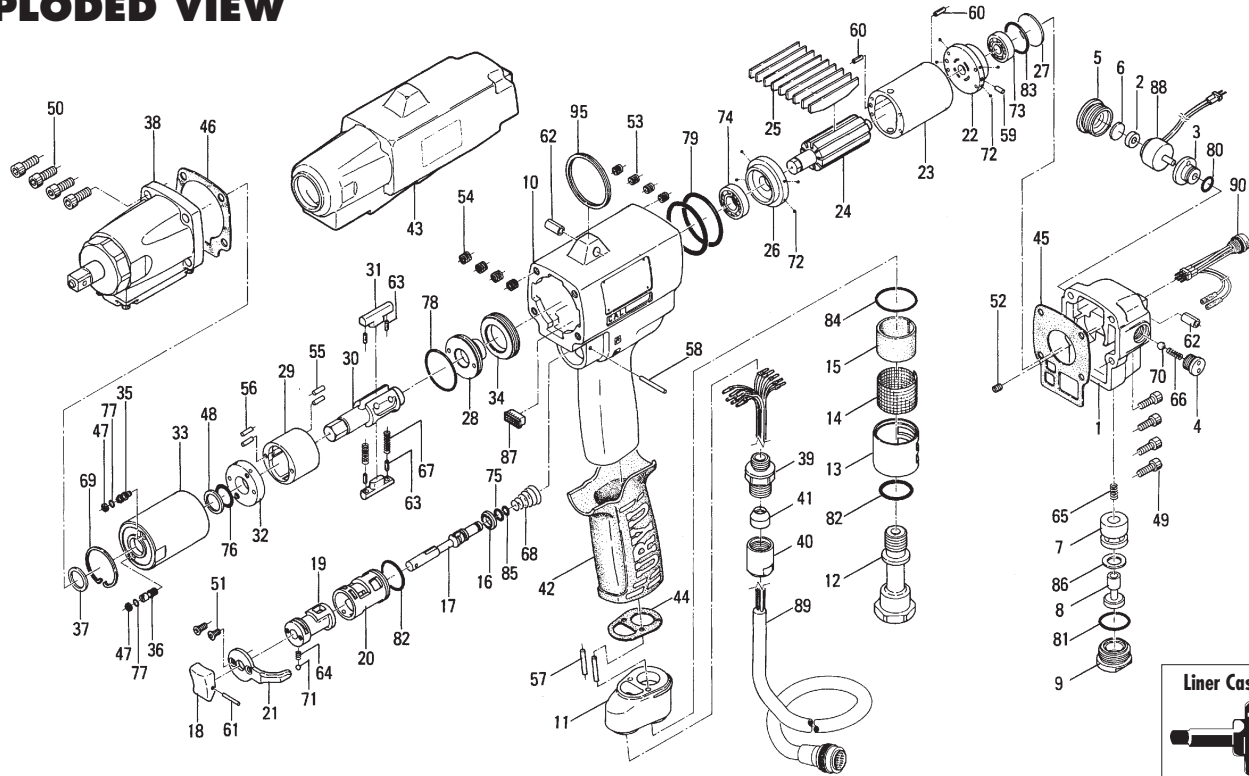


EXPLODED VIEW



PARTS LIST — FOR REFERENCE ONLY

| Index Number | Part Number | Description | Qty. | Index Number | Part Number | Description | Qty. | Index Number | Part Number | Description | Qty. |
|--------------|-------------|-------------------------|------|--------------|-------------|---------------------------------|------|--------------|-------------|-------------------------------|------|
| 1 | 149-012-2 | Head Cover | 1 | 36 | 178-742-0 | Oil Plug | 1 | 71 | 981-002-0 | Ball (1/8) | 1 |
| 2 | 193-120-6 | Valve Packing Spacer | 1 | 37 | 178-327-0 | Anvil Front Spacer | 1 | 72 | 981-045-0 | Ball (1.5) | 8 |
| 3 | 193-147-6 | Stop Valve Bushing | 1 | 38 | 851-679-1 | Sensor Casing Assembly (S4-9.5) | 1 | 73 | 982-401-0 | Ball Bearing (EE-2) | 1 |
| 4 | 193-148-6 | Stop Valve Cover | 1 | 39 | 149-079-2 | Connector | 1 | 74 | 982-402-0 | Ball Bearing (EE-3) | 1 |
| 5 | 193-149-6 | Stop Valve Plug | 1 | 40 | 149-018-2 | Cap | 1 | 75 | 990-002-0 | O-Ring (P4) | 1 |
| 6 | 193-872-6 | Valve Packing | 1 | 41 | 149-562-2 | Stopper | 1 | 76 | 992-020-0 | O-Ring (Q12) (NTN) | 1 ● |
| 7 | 149-253-5 | Shut-Off Valve Bushing | 1 | 42 | 173-842-0 | Handle Cover | 1 | 77 | 990-320-0 | O-Ring (ARPS68-003) | 2 ● |
| 8 | 149-254-5 | Shut-Off Valve | 1 | 43 | 149-840-4 | Handle Protector | 1 | 78 | 990-329-0 | O-Ring (JW1530-19) | 1 ● |
| 9 | 149-927-5 | Shut-Off Valve Cover | 1 | 44 | 149-850-5 | Casing Connector Packing | 1 | 79 | 990-337-0 | O-Ring (JW1530-27) | 2 |
| 10 | 149-025-3 | Casing | 1 | 45 | 149-853-2 | Head Cover Packing | 1 | 80 | 990-905-0 | O-Ring (SNS-7) | 1 |
| 11 | 149-035-5 | Casing Connector | 1 | 46 | 149-867-2 | Front Casing Packing | 1 | 81 | 990-914-0 | O-Ring (SNS-16) | 1 |
| 12 | 149-091-9 | Air Inlet Bushing | 1 | 47 | 944-002-0 | Supporting Ring (2.6 x 4.5 x 1) | 2 ● | 81-1 | 990-910-0 | O-Ring (SNS 12.5) | 1 |
| 12-1 | 148-093-7 | Air Inlet Bushing Screw | 1 | 48 | 944-213-0 | Supporting Ring (12 x 15.9 x 1) | 1 ● | 82 | 990-916-0 | O-Ring (SNS-18) | 2 |
| 13 | 173-780-5 | Exhaust Stack | 1 | 49 | 945-015-0 | Allen Head Bolt (M4 x 15) | 4 | 83 | 990-918-0 | O-Ring (SNS-20) | 1 |
| 14 | 173-042-0 | Silencer | 1 | 50 | 945-117-0 | Allen Head Bolt (M5 x 16) | 4 | 84 | 990-921-0 | O-Ring (SNS-22.4) | 1 |
| 15 | 173-835-0 | Filter | 1 | 51 | 948-423-0 | Allen Flush Head Screw (M3 x 6) | 2 | 85 | 990-972-0 | O-Ring (SNS-4) (NOK) | 1 |
| 16 | 173-100-0 | Valve | 1 | 52 | 954-005-0 | Allen Head Dog | 1 | 86 | 996-418-0 | Packing (15 x 9 x 1) | 1 |
| 17 | 173-104-0 | Valve Rod | 1 | | | Point Screw (M3 x 5) | 1 | 87 | 909-918-0 | Socket (DF11-12DC-2C) | 1 |
| 18 | 149-107-2 | Valve Lever | 1 | 53 | 965-006-0 | Heli-Sert (M4 x 1.5D) | 4 | 88 | 909-915-0 | Solenoid Valve Assembly | 1 |
| 19 | 151-210-0 | Reverse Valve | 1 | 54 | 965-011-0 | Heli-Sert (M5 x 1.5D) | 4 | 89 | 910-252-0 | Joint Cable Assembly (YELLOW) | 1 |
| 20 | 151-211-4 | Reverse Valve Bushing | 1 | 55 | 970-130-0 | Pin (H) (2.45 x 4.5) | 2 | 90 | 909-549-0 | LED Lamp Assembly | 1 |
| 21 | 173-212-0 | Reverse Lever | 1 | 56 | 970-135-0 | Pin (H) (2.45 x 11) | 2 | 90-1 | 909-733-0 | Connector (RF-06) | 1 |
| 22 | 149-285-2 | Rear Plate | 1 | 57 | 970-208-0 | Pin (H) (3 x 10) | 2 | 90-2 | 975-079-0 | Spacer (12.7 x 10.3 x 3) | 1 |
| 23 | 149-286-4 | Cylinder | 1 | 58 | 971-125-0 | Pin (2 x 25) | 1 | | | | |
| 24 | 174-287-8 | Rotor | 1 | 59 | 973-006-0 | Roll Pin (2 x 6) | 1 | | | | |
| 25 | 174-288-8 | Blade | 9 | 60 | 973-008-0 | Roll Pin (2 x 8) | 2 | | | | |
| 26 | 149-289-2 | Front Plate | 1 | 61 | 973-014-0 | Roll Pin (2 x 14) | 1 | | | | |
| 27 | 193-291-6 | Rear Plate Spacer | 1 | 62 | 973-340-0 | Roll Pin (6 x 10) | 2 | | | | |
| 28 | 196-901-4 | Rear Liner Plate | 1 | 63 | 973-007-0 | Roll Pin (2 x 7) | 1 | | | | |
| 29 | 190-902-6 | Liner | 1 | 64 | 976-006-0 | Spring (3 x 5) (0.4) | 1 | | | | |
| 30 | 149-319-0 | Anvil | 1 | 65 | 976-396-0 | Spring (4.6 x 15) (0.55) | 1 | | | | |
| 31 | 190-440-6 | Driving Blade | 2 | 66 | 976-240-0 | Spring (4.3 x 14) (0.4) | 1 | | | | |
| 32 | 168-904-0 | Front Liner Plate | 1 | 67 | 976-792-0 | Spring (3.5 x 21) (0.45) WPC | 2 ● | | | | |
| 33 | 178-905-9 | Liner Casing | 1 | 68 | 977-160-0 | Cone Spring (7.4 x 14 x 20) | 1 | | | | |
| 34 | 190-906-6 | Liner Casing Setter | 1 | 69 | 978-282-0 | Snap Ring (28 x 1) | 1 | | | | |
| 35 | 174-907-8 | Relief Valve Spindle | 1 | 70 | 981-024-0 | Ball (5) | 1 | | | | |

ACCESSORIES

| | | | |
|----|-----------|--------------------------------------|---|
| 91 | 904-090-0 | Extension Bar (3/8 x 43) | 1 |
| 92 | 971-214-0 | Pin (3 x 14) | 1 |
| 93 | 990-011-0 | O-Ring (P12) | 1 |
| 94 | 953-104-0 | Allen Head Flat Point Screw (M4 x 4) | 1 |
| 95 | 004-790-2 | Suspension Ring | 1 |
| 96 | 939-091-0 | Allen Wrench (1.5 mm) | 1 |
| 98 | 910-263-0 | Sensor Cable Assembly (3F5) | 1 |

FOOTNOTES

● = Items in Pulse Repair Kit Alpha-80MC-PRK



10000 SE PINE
PORTLAND, OR 97216
503-254-6600
FAX 503-255-2615

When ordering spare parts, please specify
tool type, part number, and description.