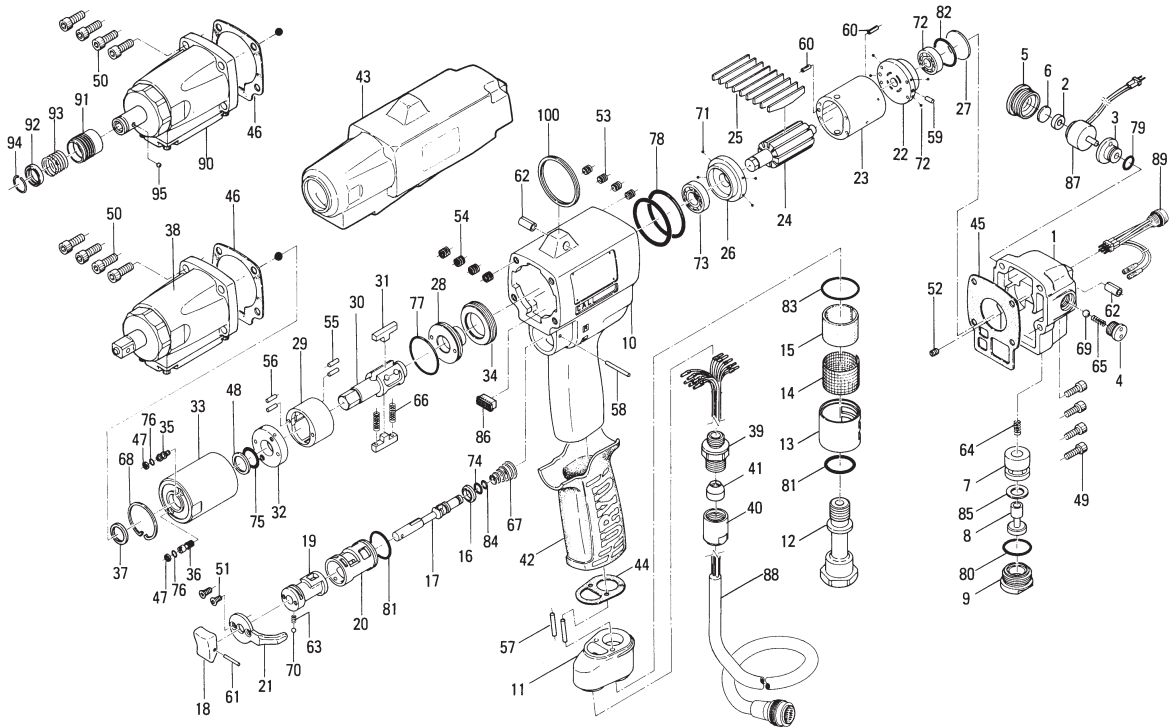


**EXPLODED VIEW**



**PARTS LIST — FOR REFERENCE ONLY**

Index Number	Part Number	Description	Qty.	Index Number	Part Number	Description	Qty.	Index Number	Part Number	Description	Qty.
1	149-012-2	Head Cover	1	37	178-327-0	Anvil Front Spacer	1	73	982-402-0	Ball Bearing (EE-3)	1
2	193-120-6	Valve Packing Spacer	1	38	851-677-1	Sensor Casing Assembly	1	74	990-002-0	O-Ring (P4)	1
3	193-147-6	Stop Valve Bushing	1	39	149-079-2	Connector	1	75	992-020-0	O-Ring (Q12) (NTN)	1 ●
4	193-148-6	Stop Valve Cover	1	40	149-018-2	Cap	1	76	990-320-0	O-Ring (ARPS68-003)	2 ●
5	193-149-6	Stop Valve Plug	1	41	149-562-2	Stopper	1	77	990-329-0	O-Ring (JW1530-19)	1 ●
6	193-872-6	Valve Packing	1	42	173-842-0	Handle Cover	1	78	990-337-0	O-Ring (JW1530-27)	2
7	149-253-5	Shut-Off Valve Bushing	1	43	149-840-2	Handle Protector	1	79	990-905-0	O-Ring (SNS-7)	1
8	149-254-5	Shut-Off Valve	1	44	149-850-5	Casing Connector Packing	1	80	990-914-0	O-Ring (SNS-16)	1
9	149-927-5	Shut-Off Valve Cover	1	45	149-853-2	Head Cover Packing	1	81	990-916-0	O-Ring (SNS-18)	2
10	149-025-9	Casing	1	46	149-867-2	Front Casing Packing	1	82	990-918-0	O-Ring (SNS-20)	1
11	149-035-5	Casing Connector	1	47	944-002-0	Supporting Ring (2.6 x 4.5 x 1)	2 ●	83	990-921-0	O-Ring (SNS-22.4)	1
12	149-091-5	Air Inlet Bushing	1	48	944-213-0	Supporting Ring (12 x 15.9 x 1)	1 ●	84	990-972-0	O-Ring (SNS-4) (NOK)	1
12-1	148-093-7	Air Inlet Bushing Screen	1	49	945-015-0	Allen Head Bolt (M4 x 15)	4	85	996-418-0	Packing (15 x 9 x 1)	1
13	173-780-0	Exhaust Stack	1	50	945-117-0	Allen Head Bolt (M5 x 16)	4	86	909-918-0	Socket (DF11-12DC-2C)	1
14	173-042-0	Silencer	1	51	948-423-0	Allen Flush Head Screw (M3 x 6)	2	87	909-915-0	Solenoid Valve Assembly	1
15	173-835-0	Filter	1	52	954-005-0	Allen Head Dog Point Screw (M3 x 5)	1	88	910-251-0	Joint Cable Assembly (WHITE)	1
16	173-100-0	Valve	1					89	909-549-0	LED Lamp Assembly	1
17	173-104-0	Valve Rod	1	53	965-006-0	Heli-Sert (M4 x 1.5D)	4	89-1	975-079-0	Spacer (12.7 x 10.3 x 3)	1
18	149-107-2	Valve Lever	1	54	965-011-0	Heli-Sert (M5 x 1.5D)	4				
19	151-210-4	Reverse Valve	1	55	970-130-0	Pin (H) (2.45 x 4.5)	2				
20	151-211-4	Reverse Valve Bushing	1	56	970-135-0	Pin (H) (2.45 x 11)	2				
21	173-212-0	Reverse Lever	1	57	970-208-0	Pin (H) (3 x 10)	2				
22	149-285-2	Rear Plate	1	58	971-125-0	Pin (2 x 25)	1				
23	149-286-2	Cylinder	1	59	973-006-0	Roll Pin (2 x 6)	1				
24	161-287-3	Rotor	1	60	973-008-0	Roll Pin (2 x 8)	2				
25	161-288-3	Blade	9	61	973-014-0	Roll Pin (2 x 14)	1				
26	149-289-2	Front Plate	1	62	973-340-0	Roll Pin (6 x 10)	2				
27	193-291-6	Rear Plate Spacer	1	63	976-006-0	Spring (3 x 5) (04)	1				
28	196-901-4	Rear Liner Plate	1	64	976-057-0	Spring (4.5 x 14) (0.5)	1				
29	177-902-5	Liner	1	65	976-240-0	Spring (3 x 14) (04)	1				
30	149-319-2	Anvil	1	66	976-792-0	Spring (3.5 x 21) (0.45) WPC	2 ●				
31	177-440-5	Driving Blade	2	67	977-160-0	Cone Spring (7.4 x 14 x 20)	1				
32	178-904-8	Front Liner Plate	1	68	978-282-0	Snap Ring (28 x 1)	1				
33	177-905-6	Liner Casing	1	69	981-024-0	Polyurethane Ball 5 mm	1				
34	190-906-6	Liner Casing Setter	1	70	981-002-0	Ball (1/8)	1				
35	174-907-8	Relief Valve Spindle	1	71	981-045-0	Ball (1.5)	8				
36	178-742-0	Oil Plug	1	72	982-401-0	Ball Bearing (EE-2)	1				

**PARTS FOR ALPHA 60DMC**

90	851-678-1	Sensor Casing Assembly (S2 - 6.35)	1
91	011-351-1	Bit Sleeve	1
92	011-352-1	Bit Spacer	1
93	976-327-0	Spring (13.5 x 11) (0.9)	1
94	978-117-0	Snap Ring (11.7 x 1.0)	1
95	981-002-0	Ball (1/8)	1

**ACCESSORIES**

96	904-090-0	Extension Bar (3/8 x 43)	1
97	971-214-0	Pin (3 x 14)	1
98	990-011-0	O-Ring (P12)	1
99	953-104-0	Allen Head Flat Point Screw (M4 x 4)	1
100	004-790-2	Suspension Ring	1
101	939-091-0	Allen Wrench (1.5 mm)	1

**FOOTNOTES**

● = Items in Pulse Repair Kit Alpha-60MC-PRK



**10000 SE PINE  
PORTLAND, OR 97216  
503-254-6600  
FAX 503-255-2615**

When ordering spare parts, please specify tool type, part number, and description.