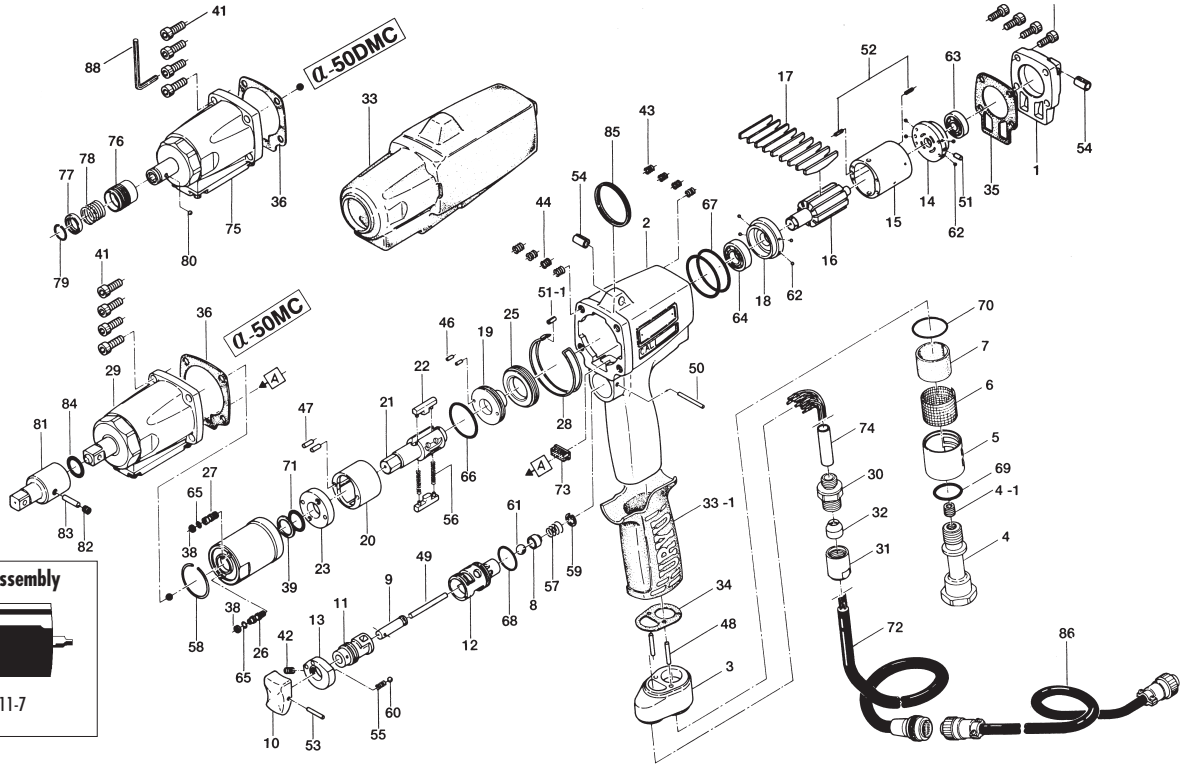


EXPLODED VIEW



PARTS LIST — FOR REFERENCE ONLY

Index Number	Part Number	Description	Qty.	Index Number	Part Number	Description	Qty.	Index Number	Part Number	Description	Qty.
1	148-012-7	Head Cover	1	32	149-562-2	Stopper	1	63	982-401-0	Ball Bearing (EE2)	1
2	148-025-7	Casing	1	33	148-840-7	Handle Protector	1	64	982-402-0	Ball Bearing (EE3)	1
3	149-035-5	Casing Connector	1	33-1	150-842-5	Handle Cover	1	65	990-320-0	O-Ring (ARP568-003)	2 ●
4	148-091-9	Air Inlet Bushing	1	34	149-850-5	Handle Packing	1	66	990-327-0	O-Ring (JW1530-18)	1 ●
4-1	148-093-7	Air Inlet Bushing Screw	1	35	148-853-7	Handle Cover Packing	1	67	990-335-0	O-Ring (JW1530-25)	2
5	173-780-0	Exhaust Stack	1	36	149-867-2	Front Casing Packing	1	68	990-912-0	O-Ring (SNS-14)	1
6	173-042-0	Silencer	1	38	944-002-0	Supporting Ring (2.4 x 4.5 x 1)	2 ●	69	990-916-0	O-Ring (SNS-18)	1
7	173-835-0	Filter	1	39	944-213-0	Supporting Ring (12 x 15.9 x 1)	1 ●	70	990-921-0	O-Ring (SNS-22.4)	1
8	480-100-9	Valve	1	40	945-014-0	Allen Head Bolt (M4 x 14)	4	71	992-020-0	O-Ring (Q12)	1 ●
9	480-103-9	Valve Rod Bushing	1	41	945-117-0	Allen Head Bolt (M5 x 16)	4	72	909-963-0	Joint Cable Assembly (PINK)	1
10	148-107-7	Valve Lever	1	42	952-106-0	Allen Head Dog Point Screw (M6 x 6)	1	73	909-918-0	Double-Row Socket (DF11-12DC-2)	1
11	480-210-9	Reverse Valve	1	43	965-006-0	Heli-Sert (M4 x 1.5D)	4	74	909-738-0	Shrink Tube (6 x 40)	1
12	480-211-9	Reverse Valve Bushing	1	44	965-011-0	Heli-Sert (M5 x 1.5D)	4	PARTS FOR ALPHA-50DMC			
13	148-212-7	Reverse Lever	1	46	970-130-0	Pin (H) (2.45 x 4.5)	2	75	149-975-3	Sensor Casing Assembly (S2-6.35)	1
14	148-285-7	Rear Plate	1	47	970-135-0	Pin (H) (2.45 x 11)	2	76	011-351-1	Bit Sleeve (1/8)	1
15	148-286-7	Cylinder	1	48	970-208-0	Pin (H) (3 x 10)	2	77	011-352-1	Bit Spacer	1
16	148-287-7	Rotor	1	49	970-228-0	Pin (H) (3 x 28)	1	78	976-327-0	Spring (13.5 x 11 x 0.9)	1
17	148-288-8	Blade (PC)	9	50	971-123-0	Pin (2 x 23)	1	79	978-117-0	Snap Ring (11.7 x 1.0)	1
18	148-289-7	Front Plate	1	51	973-006-0	Roll Pin (2 x 6)	1	80	981-002-0	Ball (1/8)	1
19	148-901-7	Rear Liner Plate	1	51-1	973-007-0	Roll Pin (2 x 7)	1	ACCESSORIES			
20	148-902-7	Liner	1	52	973-008-0	Roll Pin (2 x 8)	2	81	904-090-0	Extension Bar (3/8 x 45)	1
21	149-319-2	Anvil	1	53	973-012-0	Roll Pin (2 x 12)	1	82	953-104-0	Allen Head Flat Point Screw (M4 x 4)	1
22	177-440-5	Driving Blade	1	54	973-340-0	Roll Pin (6 x 10)	2	83	971-214-0	Pin (3 x 14)	1
23	148-904-7	Front Liner Plate	1	55	976-006-0	Spring (3 x 5 x 0.4)	1	84	990-011-0	O-Ring (P12)	1
24	148-905-7	Liner Casing	1	56	976-792-0	Spring (3.5 x 21 x 0.45) WPC	2 ●	85	004-790-2	Suspension Ring	1
25	148-906-7	Liner Casing Setter	1	57	977-150-0	Cone Spring (6.8 x 8.5 x 8)	1	86	909-921-0	Sensor Cable Assembly	1
26	174-907-8	Relief Valve Spindle	1	58	978-282-0	Snap Ring (28 x 1)	1	88	939-105-0	Allen Wrench (4 mm)	1
27	178-742-0	Oil Plug	1	59	979-002-0	Inner Snap Ring (9)	1				
28	149-754-2	Clip Ring	1	60	981-002-0	Ball (1/8)	1				
29	149-975-2	Sensor Casing Assembly (S2-9.5)	1	61	981-206-0	Ball (1/4) Black	1				
30	149-079-2	Connector	1	62	981-045-0	Ball (1.5 mm)	8				
31	149-018-2	Cap	1								



10000 SE PINE
PORTLAND, OR 97216
503-254-6600
FAX 503-255-2615

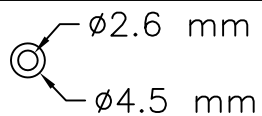
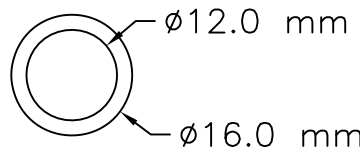
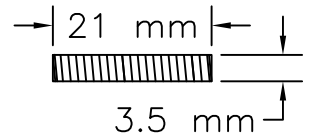
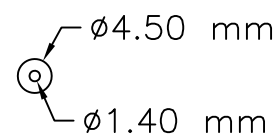
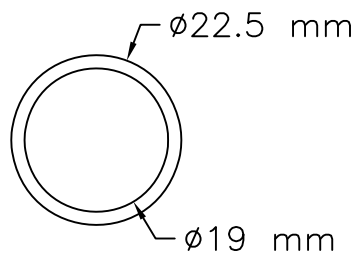
When ordering spare parts, please specify tool type, part number, and description.

FOOTNOTES

● = Items in Pulse Repair Kit Alpha-50MC-PRK

ALPHA-50MC-PRK

(Kit contains following parts)

#/#	Bin Location	Part Number	QTY	Description	Material	Drawing / Scketch
1	PA10	944-002-0	2	Support Ring 2.6x4.5x1	Teflon-White	
2	PA10	944-213-0	1	Support Ring 12x16x1	Teflon-White	
3	PA1J	976-792-0	2	Spring 3.5x21 (0.45)WPC	Spring wire ø.45 mm	
4	PA1A	990-320-0	2	O-Ring 4.5X1.4X1.6	Buna-Black	
5	PA1A	990-327-0	1	O-Ring (JW1530-18) 19xx22.5x1.75	Buna-Black	
6	PA10	992-020-0	1	SU-Ring (Q-12) (NTN)	Buna-Black	