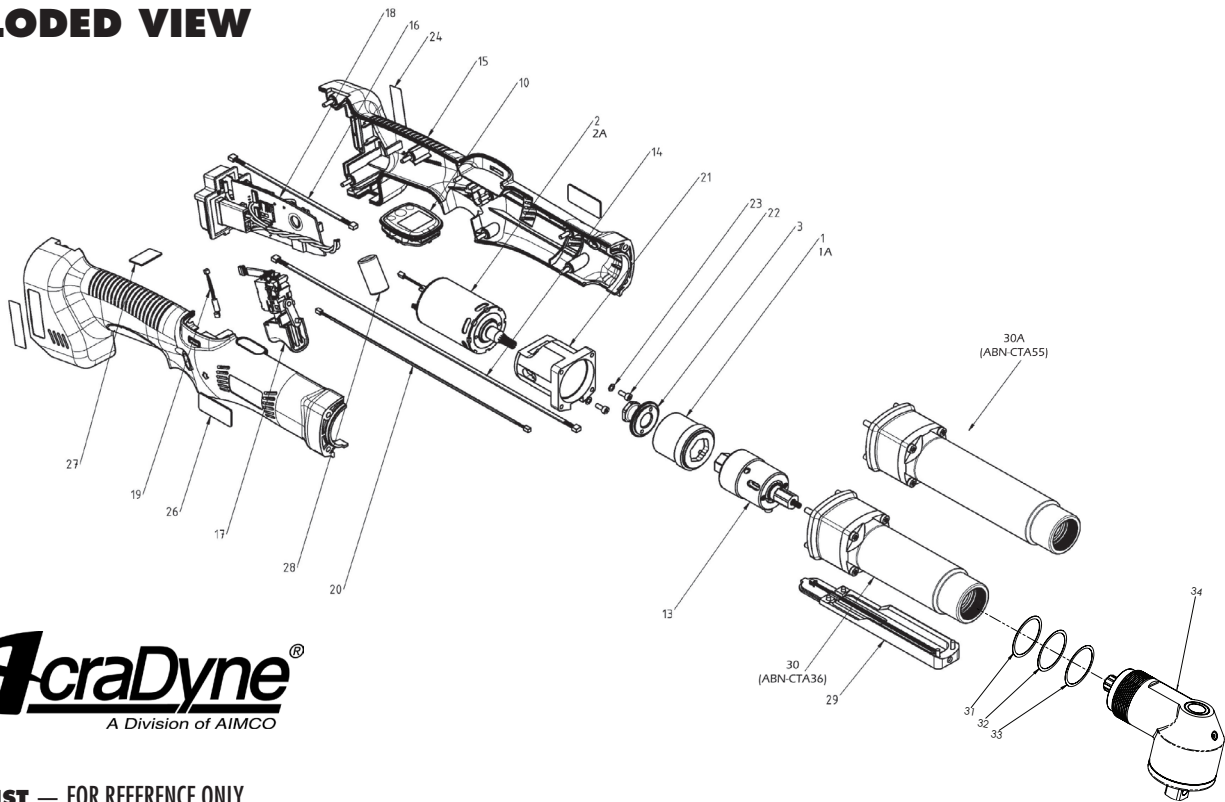


ABN-CTA36 & ABN-CTA55 (B) (W) (WB) TRANSDUCERIZED CORDLESS ANGLE TOOLS

EXPLODED VIEW



PARTS LIST — FOR REFERENCE ONLY

Index Number	Part Number	Description	Qty.
Gear Assembly			
1	030000001	Gear Assembly i=20 without Motor Pinion & Sensor Housing (for ABN-CTA36)	1
1A	030000003	Gear Assembly i=35 without Motor Pinion & Sensor Housing (for ABN-CTA55)	1
Motor Assembly			
2	030000018	Motor Assembly i20/i25 (for ABN-CTA36)	1
2A	030000019	Motor Assembly i35/i49 (for ABN-CTA55)	1
3	030000027	Connecting Flange	1
10	030000037	Display Assembly	1
13	030000069	Sensor Assembly 60 Nm	1
14	030000240	Sensor Cable, Angle 330 mm	1
15	030000341	Angle Case, Black	1
16	030000309	Display Cable, Screened, Angle	1
17	030100061	Start Switch Set	1
18	030005058	Electronics Assembly	1
19	030000162	Vibration Motor, Angle	1
20	030000230	LED Cable, Angle	1
21	030100231	Gear Box, Angle	1
22	DIN 912-M3x8-SW	Cylinder Head Bolt M3 x 8	2
23	N0110-S3-NI	N0110 Washer	2
24	30950	Label, Angle Nutrunner	2
25	30258	Label, Assembled In Germany	1
26	30259	Label AcraDyne Logo 35.5 x 16 mm	2
27	030000224	Scanner Pane, Black	1
28	030000232	Ferrit Bead, Angle & Straight	1
29	030100257	Lighting Assembly incl. Cover	1
Angle Head Adapter Assembly			
30	030000352	AB-CTA Angle Head Adapter Assembly S1-30 Nm (for ABN-CTA36)	1
30A	030000353	AB-CTA Angle Head Adapter Assembly S1-55 Nm (for ABN-CTA55)	1

Index Number	Part Number	Description	Qty.
31	21093	Shim, Pinion Shaft, .010, 2000 Series	1
32	21092	Shim, Pinion Shaft, .005, 2000 Series	1
33	21091	Shim, Pinion Shaft, .002, 2000 Series	1
34	27135	Angle Head Assembly, 3/8" Sq. Dr.	1

FOR ABN-CTA(B) SERIES TOOLS (BUILT-IN BARCODE READER)

200	030000172	Scanner Pane 22 x 14 x 1 mm, Transparent	1
201	030000170	Barcode Reader, Reading Area 69–482 mm	1
202	030000171	Ribbon Cable, Barcode Reader	1
203	030000255	PE-Strip (50 mm)	1
204	030000174	Adapter, Barcode Reader Circuit Board	1
205	030000173	Scanner Cable, Pistol & Angle	1

FOR ABN-CTA(W) SERIES TOOLS (BUILT IN WI-FI)

206	030000176	Wi-Fi Board (2.4 Ghz Or 5 Ghz) without Cable	1
207	030000177	Wi-Fi Cable	1
41	FCC-Label	FCC Label, Delivery Wi-Fi-Module in USA	1

FOR ABN-CTA(WB) SERIES TOOLS (BUILT IN WI-FI & BARCODE READER)

208	030000172	Scanner Pane 22 x 14 x 1 mm, Transparent	1
209	030000170	Barcode Reader, Reading Area 69–482 mm	1
210	030000171	Ribbon Cable, Barcode Reader	1
211	030000255	PE-Strip (50 mm)	1
212	030000176	Wi-Fi Board (2.4 Ghz Or 5 Ghz) without Cable	1
213	030000173	Scanner Cable, Pistol & Angle	1
214	030000177	Wi-Fi Cable	1
41	FCC-Label	FCC Label, Delivery Wi-Fi-Module in USA	1

ACCESSORIES

USB-Mini-A-B	USB Cable, Mini-A to B, 1.0 m	1
AB-B1850LI	18V, 5.0 Ah Li-Ion Battery	1

FOOTNOTES



10000 SE PINE
PORTLAND, OR 97216
503-254-6600
FAX 503-255-2615

When ordering spare parts, please specify tool type, part number, and description.