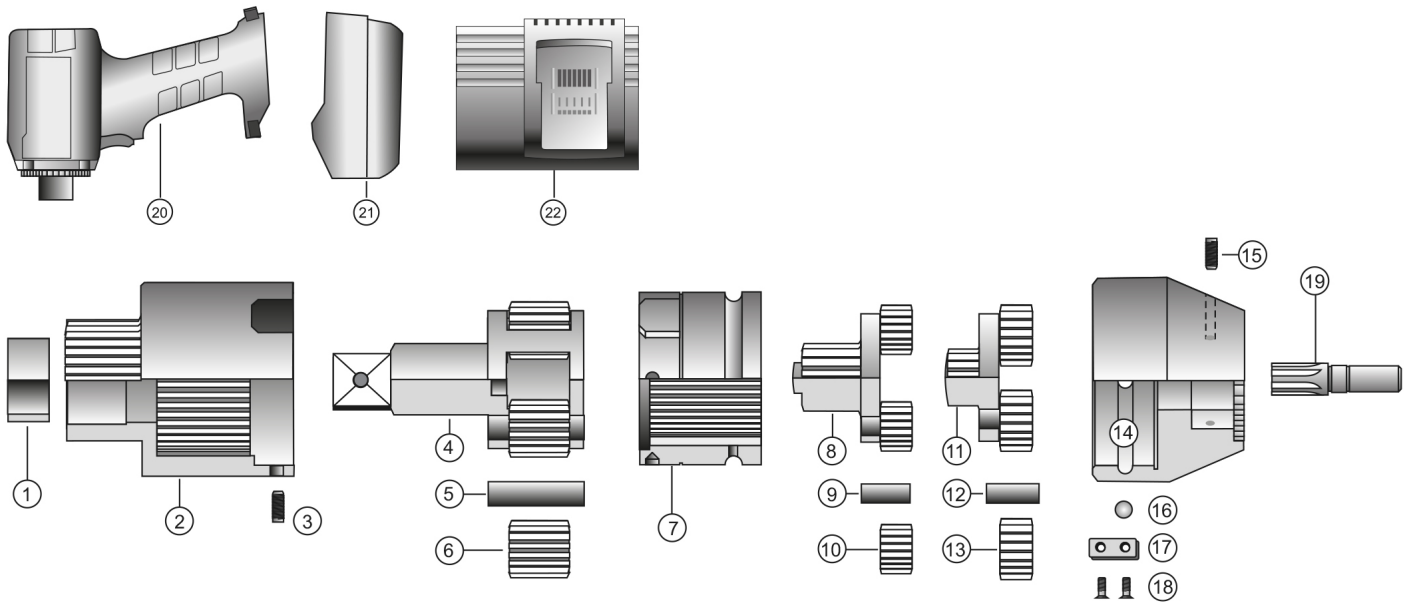


ABG860 HT BATTERY TORQUE WRENCH

EXPLODED VIEW



PARTS LIST — FOR REFERENCE ONLY

Index Number	Part Number	Description	Qty.	Index Number	Part Number	Description	Qty.	Index Number	Part Number	Description	Qty.
	17001	(Parts available in kit only)	1		17027	(Parts available in kit only)	1	15	20299	Stud Bolts (M5 x 10)	4
1		Sleeve	1	8		Gear Cage	1	16	20108	Ball RB-8 (8 mm)	26
2		Gear Housing	1	9		Bearing Pins (8 x 21.5)	3	17	14505	Closing Cover	1
3	20020	Stud Bolts (M6 x 10)	4	10	10144	Planet Gears	3	18	20099	Counter Sunk Screw (M3 x 8)	2
	17011	(Parts available in kit only)	1		17032	(Parts available in kit only)	1	19	13106	Motor Shaft	1
4		Gear Cage	1	11		Gear Cage	1	20	13101	Motor EA	1
5		Bearing Pins (10 x 30)	4	12		Bearing Pins (8 x 21.5)	3	21	ABG-B1852	Battery Pack Li-Ion 18 V, 5.2 Ah	2
6		Planet Gears	4	13	10143	Planet Gears	3	22	ABG-C18110	Charger Station 110 VAC	1
7	14511	Rotary Housing	1	14	14520	Bearing Flange	1		ABG-C18220	Charger Station 220 VAC	1

FOOTNOTES



10000 SE PINE
PORTLAND, OR 97216
503-254-6600
FAX 503-255-2615

When ordering spare parts, please specify
tool type, part number, and description.