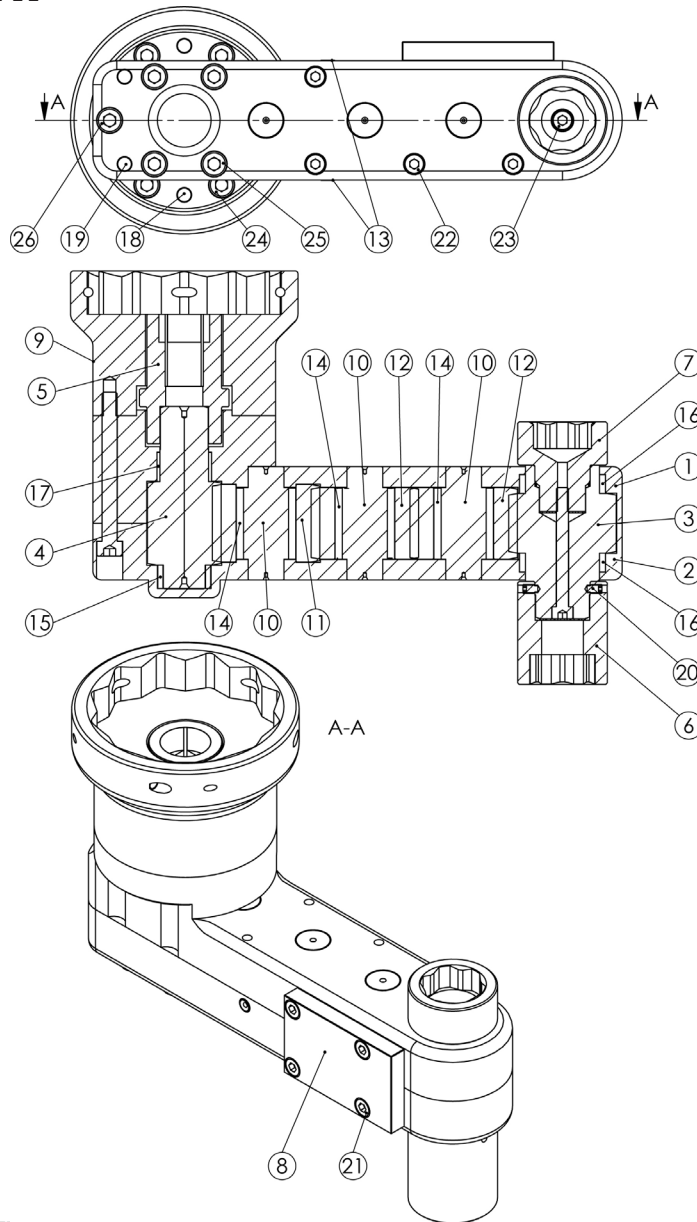


4679 SPECIAL CROWFOOT SFD 19 WITH ADAPTER INTERFACE A5

EXPLODED VIEW



PARTS LIST — FOR REFERENCE ONLY

Index Number	Part Number	Description	Qty.	Index Number	Part Number	Description	Qty.	Index Number	Part Number	Description	Qty.
1	4679-01	Upper Housing	1	10	N04.212	Axle Shaft For Idler Gear	3	19	ISO 8734 - 5X26	Parallel Pin	2
2	4679-02	Lower Housing	1	11	N06.100	Idler Gear	1	20	Din 915-M3X5	Set Screw	2
3	4679-03	Output Drive Gear	1	12	N06.101	Idler Gear	2	21	Din 912-M4X8	Socket Head Cap Screw	4
4	4679-04	Input Drive Gear	1	13	OHO 0151	Grease Nipple	2	22	Din 912-M4X20	Socket Head Cap Screw	4
5	4679-05	Extension	1	14	Nadeln 22X2.5X23.8	Needle Bearing (Set)	3	23	Din 912-M4X40	Socket Head Cap Screw	1
6	4679-06	Socket SFD19 E35	1	15	Nadeln 25X2X7.8	Needle Bearing (Set)	1	24	Din 912-M5X16	Socket Head Cap Screw	4
7	4679-07	Socket SFD19 E15	1	16	Nadeln 42X2X6.3	Needle Bearing (Set)	2	25	Din 912-M5X25	Socket Head Cap Screw	4
8	4679-08	Side Reaction Block	1	17	Nadeln 54X1X9.8	Needle Bearing (Set)	1	26	Din 912-M5X50	Socket Head Cap Screw	1
9	4679-09	Adaptor Flange For Interface A5	1	18	ISO 8734 - 5X16	Parallel Pin	2				

FOOTNOTES



10000 SE PINE
PORTLAND, OR 97216
503-254-6600
FAX 503-255-2615

When ordering spare parts, please specify
tool type, part number, and description.