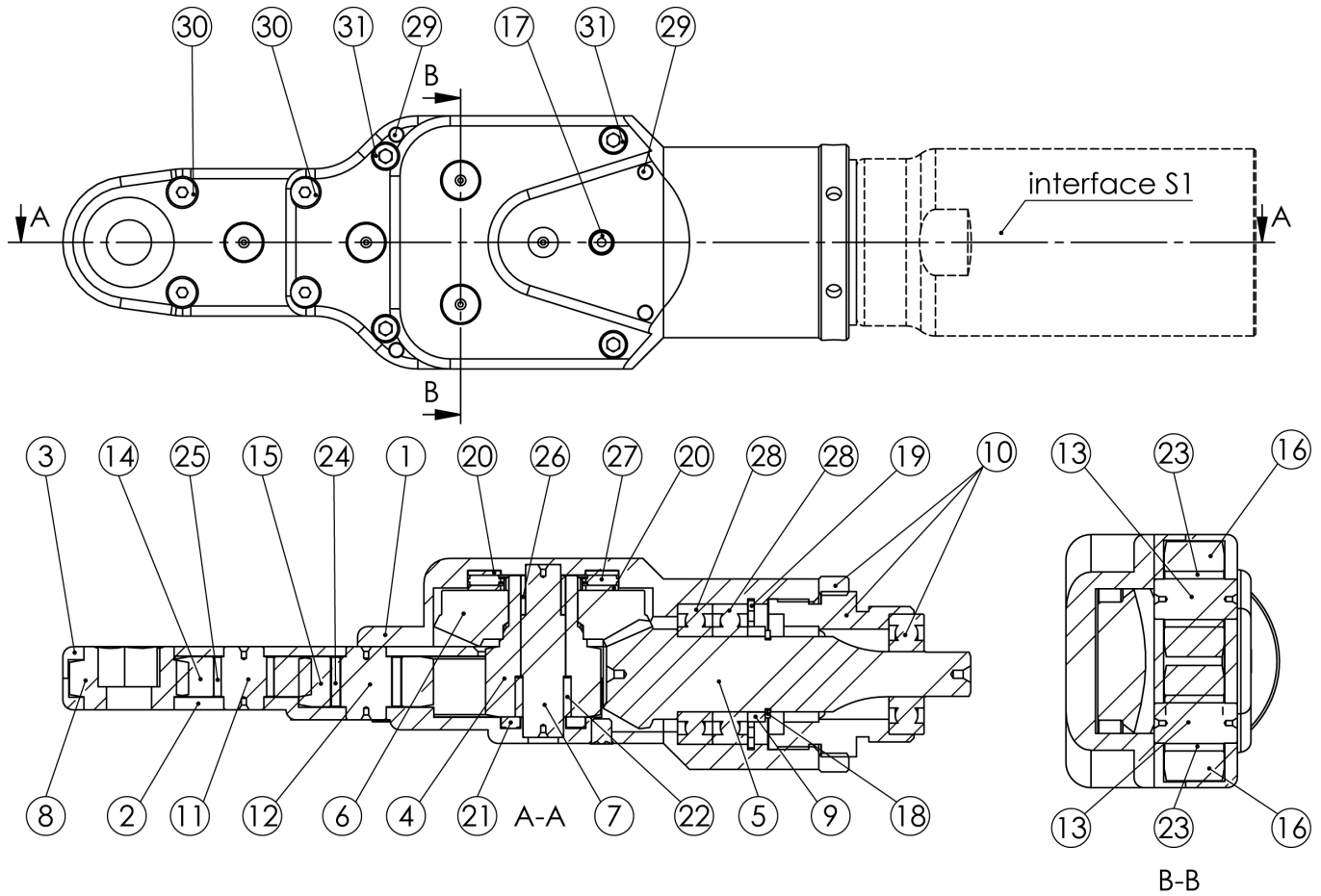


4671 CROWFOOT H12,2X8 E0 FOR ADAPTER INTERFACE S1

EXPLODED VIEW



PARTS LIST — FOR REFERENCE ONLY

| Index Number | Part Number | Description | Qty. | Index Number | Part Number | Description | Qty. | Index Number | Part Number | Description | Qty. |
|--------------|-------------|------------------------------------|------|--------------|----------------|------------------------------|------|--------------|--------------------|--------------------------------------|------|
| 1 | 4671-01 | Upper Housing | 1 | 10 | S-2112-23 | Adaptor For Interface S1 | 1 | 20 | AS 1730 | Axial Disc | 2 |
| 2 | 4671-02 | Lower Housing | 1 | 11 | N04.190 | Axle Shaft For Idler Gear | 1 | 21 | AX 917 | Axial Bearing | 1 |
| 3 | 4671-03 | Middle Housing | 1 | 12 | N04.191 | Axle Shaft For Idler Gear | 1 | 22 | Nadeln 20X1.5X7.8 | Needle Bearing (Set) | 1 |
| 4 | 4671-04 | Input Drive Gear | 1 | 13 | N04.192 | Axle Shaft For Idler Gear | 2 | 23 | Nadeln 20X1.5X11.8 | Needle Bearing (Set) | 2 |
| 5 | 4671-05 | Bevel Gear 17 Teeth (90°) | 1 | 14 | N06.003 | Idler Gear | 1 | 24 | Nadeln 19X2X9.8 | Needle Bearing (Set) | 1 |
| 6 | 4671-06 | Crown Gear 34 Teeth (90°) | 1 | 15 | N06.077 | Idler Gear | 1 | 25 | Nadeln 22X1.5X7.8 | Needle Bearing (Set) | 1 |
| 7 | 4671-07 | Axle Shaft For Input Drive Gear | 1 | 16 | N06.095 | Idler Gear | 2 | 26 | Nadeln 25X1X7.8 | Needle Bearing (Set) | 1 |
| 8 | 4304-03 | Output Drive Gear H12,2E0 | 1 | 17 | OHO 0151 | Grease Nipple | 1 | 27 | SKF-AXF 1730 | Axial Bearing | 1 |
| 9 | S-2112-12 | Washer | 1 | 18 | Din 471-15X1 | Circlip | 1 | 28 | SKF-61902 | Radial Bearing | 2 |
| | | | | 19 | Din 472-28X1.2 | Circlip | 1 | 29 | Iso 8734-3X18 | Parallel Pin | 4 |
| | | | | | | | | 30 | Din 7991-M3X12 | Countersunk Socket Head Cap Screw | 4 |
| | | | | | | | | 31 | Din 912-M3X16 | Socket Head Cap Screw | 4 |

FOOTNOTES



10000 SE PINE
PORTLAND, OR 97216
503-254-6600
FAX 503-255-2615

When ordering spare parts, please specify
tool type, part number, and description.