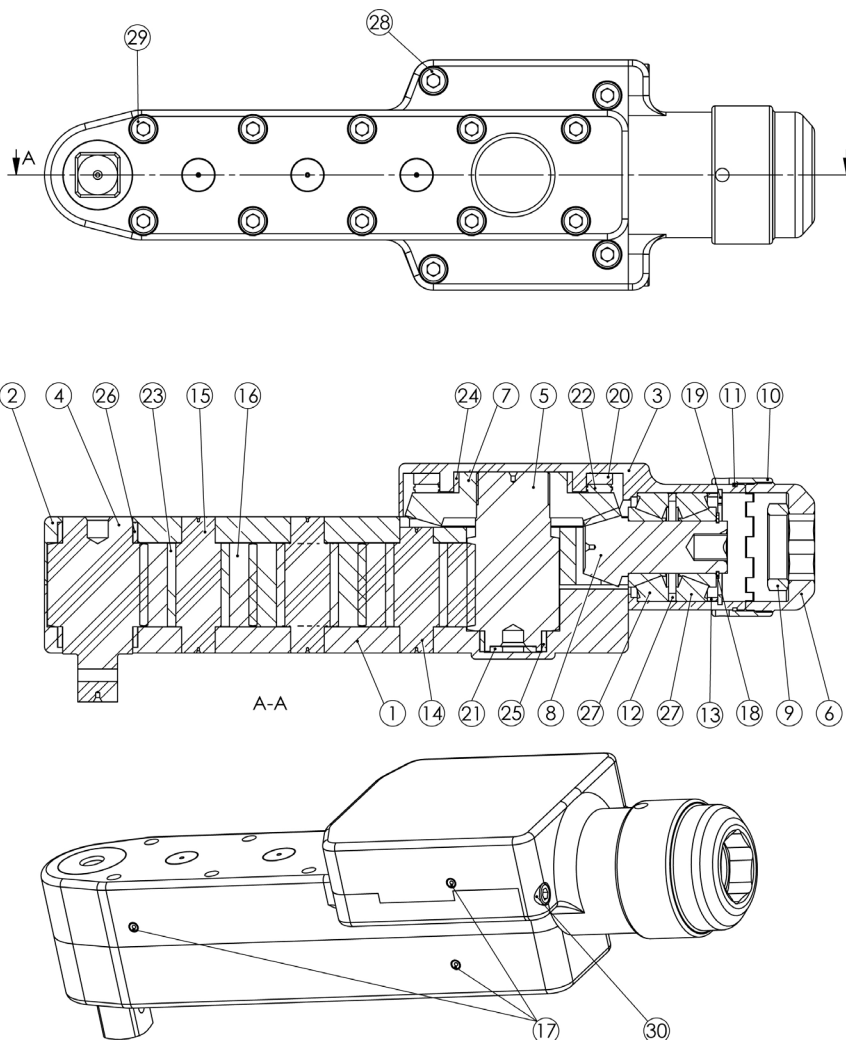


4600 SPECIAL CROWFOOT 3/4" SQUARE OUTPUT WITH INTERFACE S3

EXPLODED VIEW



PARTS LIST — FOR REFERENCE ONLY

| Index Number | Part Number | Description | Qty. | Index Number | Part Number | Description | Qty. | Index Number | Part Number | Description | Qty. |
|--------------|-------------|----------------------------------|------|--------------|----------------|------------------------------|------|--------------|-------------------|-----------------------|------|
| 1 | 4600-01 | Lower Housing | 1 | 12 | N01.171 | Spacer | 1 | 23 | Nadeln 20X4X39.8 | Needle Bearing (Set) | 3 |
| 2 | 4600-02 | Upper Housing | 1 | 13 | N01.172 | Spacer | 1 | 24 | Nadeln 68X2.5X9.8 | Needle Bearing (Set) | 1 |
| 3 | 4600-03 | Angle Head | 1 | 14 | N04.206 | Axle Shaft for Idler Gear | 1 | 25 | Nadeln 37X2.5X9.8 | Needle Bearing (Set) | 1 |
| 4 | 4600-04 | Output Drive Gear 3/4" Square | 1 | 15 | N04.207 | Axle Shaft For Idler Gear | 2 | 26 | Nadeln 45X2.5X9.8 | Needle Bearing (Set) | 2 |
| 5 | 4600-05 | Input Drive Gear | 1 | 16 | N06.099 | Idler Gear | 3 | 27 | SKF - 32205 B | Tapper Roller Bearing | 2 |
| 6 | 4600-06 | Adaptor for Interface S3 | 1 | 17 | OHO 0151 | Grease Nipple | 3 | 28 | Din 912-M8X20 | Socket Head Cap Screw | 4 |
| 7 | 4600-07 | Bevel Gear | 1 | 18 | Din 471-25X1.2 | Retaining Ring | 1 | 29 | Din 912-M8X35 | Socket Head Cap Screw | 10 |
| 8 | 4600-08 | Bevel Gear 1 | 1 | 19 | Din 472-52X2 | Circlip | 1 | 30 | Din 912-M6X10 | Socket Head Cap Screw | 2 |
| 9 | 4600-09 | Nut 1-1/4" -20 UN-2A | 1 | 20 | LS 7095 | Washer | 1 | | | | |
| 10 | 4600-10 | Nut M62 x 1 LH | 1 | 21 | AX 1022 | Axial Bearing | 1 | | | | |
| 11 | 4600-11 | Retaining Ring | 1 | 22 | SKF-AXK 7095 | Axial Bearing | 1 | | | | |

FOOTNOTES



10000 SE PINE
PORTLAND, OR 97216
503-254-6600
FAX 503-255-2615

When ordering spare parts, please specify
tool type, part number, and description.